

PRE-DELIVERY INSPECTION

CHAIN SAWS, TOP HANDLE SAWS AND PRUNER



ASSEMBLY

- Install the bar and chain.
- Fill the machine up with 2-stroke fuel and chain oil.
- Start and warm up the engine.
- Check the lubrication of the chain and chain tension.
- Check the RPM's with a revolution counter and adjust the carburettor if needed.

SAFETY FUNCTIONS

- Inspect and check the functioning of the chain brake by activating and deactivate the chain brake guard.
- Inspect and check the stop switch.
- Inspect the chain catcher.
- Inspect the throttle trigger lockout.
- Inform the customer about start/stop procedure, safety functions, personal protective equipment, basic maintenance and oil and fuels.
- Hand over the user manual.

SERVICE AND MAINTENANCE

- Every refill of the fuel tank sharpening the chain
- 1st service: after 8 to 15hrs of use
- 2nd service: Consumer every 50hrs or once/year Professional every 150hrs or once/year

Model: CS- _____

Serial number: _____

Dealer: _____

Date: _____

Dealer Stamp & signature

Customer's signature


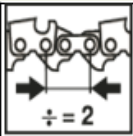





PRE-DELIVERY INSPECTION

BEFORE EVERY USE CHECK ALL THE SAFETY FUNCTIONS

- Stop switch
- Chain brake
- Anti- vibration springs
- Throttle lock
- Chain catcher
- Right hand guard
- Chain tension
- Chain sharpness

Maintenance before every use see page in the owner's manual

CUTTING EQUIPMENT INFO.

	 Pitch	 Ø inch/mm				
	1/4 1,1	1/8" 3,5 mm	0,018" 0,45 mm	10°	30°	Round
	1/4 1,3	5/32" 4,0 mm	0,018" 0,45 mm	10°	30°	Round
	3/8 1,3	5/32" 4,0 mm	0,025" 0,65 mm	0°	30°	Round
	.325 1,3	3/16" 4,8 mm	0,025" 0,65 mm	10°	30°	Round
	.325 1,5	3/16" 4,8 mm	0,025" 0,65 mm	10°	30°	Round
	3/8 1,5	7/32" 5,5 mm	0,025" 0,65 mm	0°	25°	Square

FUEL

- Euro 95 + 2% Echo oil (Store own blended fuel for maximum 2 weeks)
- Alkylate 2T fuel (Store Alkylate 2T fuel for maximum 3 years)