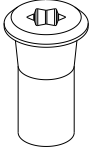


supplies

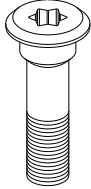
**A**



coupling nut aluminium

Quantity

**B**



coupling bolt


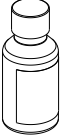
Quantity

**C**

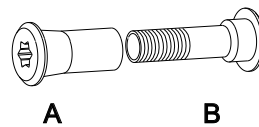
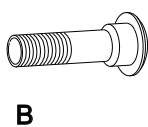
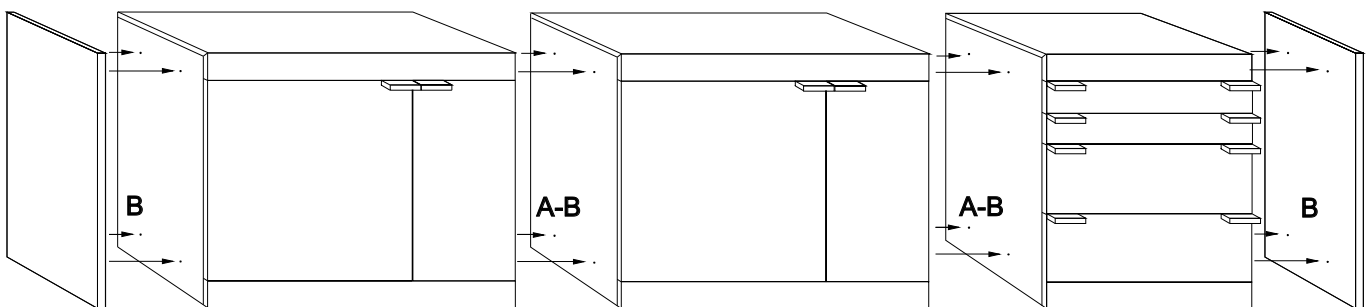
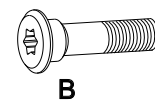
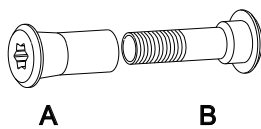


cap cover in order to plinth adjuster

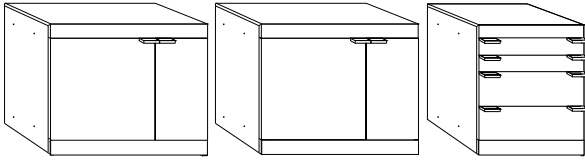
Quantity

<b>D</b>	<b>E</b>
	
cap cover hinge	lacquer touch-up
Quantity <input type="text"/>	

assembly instructions

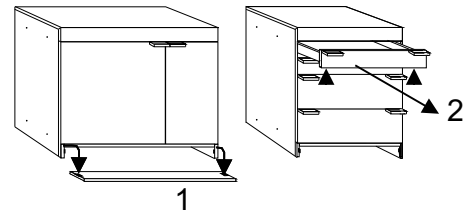


1



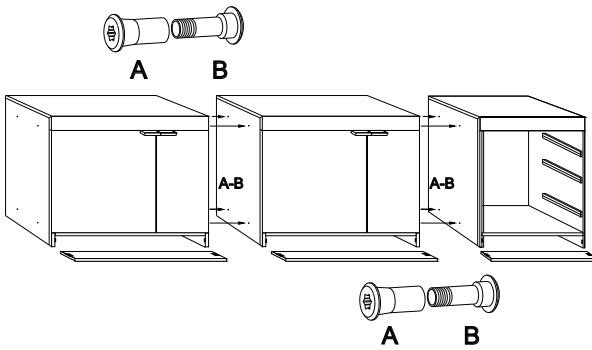
Place the bodies in the correct order at a short distance from each other.

2



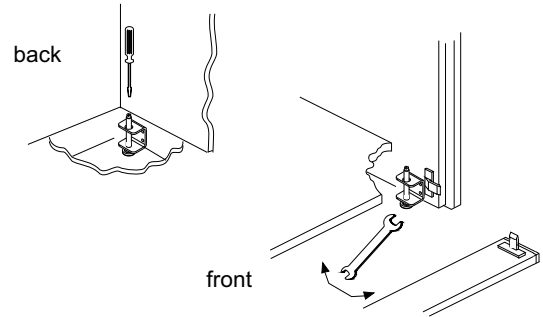
First demount the plinth (1) and then, if present, the drawers. To do this, grip the snappers on the underside of the drawer, and pull forward.

3



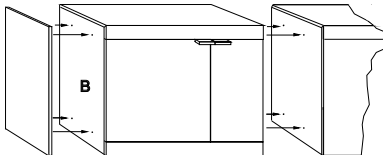
Couple two bodies with nut A and bolt B.

4



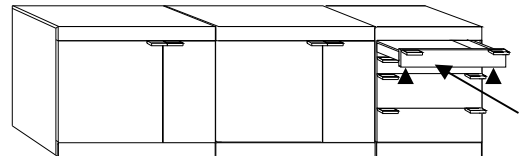
Level the bodies by turning the adjustable legs and the adjusting brace (only in combination with a separation) which are under the bottom, with a spanner. Then mount the plinth and place the cap cover (C).

5



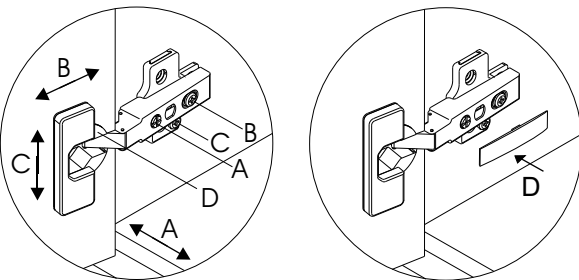
Assemble the closing sides with bolt B.

6



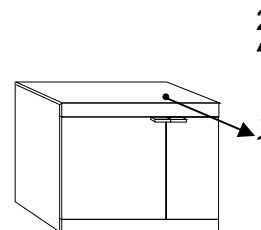
Place the drawers in the body. To do this, pull the drawer runners out, place the drawers on them and slide them back in. If necessary, the height of the drawers can be adjusted by means of the wheels underneath the drawer.

7



Adjust the doors, if desired:  
 A: adjusting the joints, horizontal positioning,  
 B: adjusting the depth, C: adjusting the height.  
 D: On-/off switch damper  
 Finally, place the capcover on the hinge.

8



When replacing the top: first slide the top to the front and then lift it.