

RECOMMENDED DEALER PRE-DELIVERY INSPECTION

2015 Tractor Models

Please complete and return to Ariens Company Ltd



General Tractor checks

- Remove tractor from packaging material and examine for any damage. Mark any defects on the section below.
- Fit seat, seat switch wires and steering wheel. Check steering for correct operation.
- Check transmission oil level.
- Check engine oil level.
- Connect battery (red to positive – black to negative).
- Check tyre pressures (refer to manual).
- Re-locate the bull bar to its correct position. (Use bolt provided), (see fig 1), (B,C,F & T Series only).
- Check parking brake functions correctly.
- Check all guarding is in place and secure.
- Check all keys, parts manuals, operators manuals and accessories are present and correct.
- Start engine and check all electrics function correctly, including safety switches, console warning lights & head lights.
- Check seat switch is functioning correctly.
- Check RMO Safety system is working correctly.

Deck

Fitting the cutter deck

- Place the tractor on a firm level surface and attach cutter deck using fixings.
- Check cutter deck levels from front to back and side to side. (refer to operators manual).
- Check deck lifts correctly and freely.
- Check rue clips are locked over correctly. Failure to do so may result in deck being detached; (any such damage will not be covered by warranty).
- Check the deck belt tension. (refer to manual for details).
- Ensure all guarding is correctly fitted.
- Check deck for correct operation.

Accessories

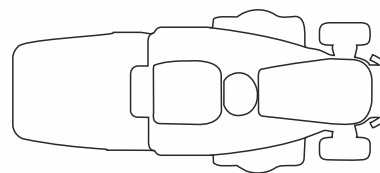
PGC

- Unpack PGC and check for damage and that you have all the fixings.
- Assemble as per the instructions.
- After fitting PGC, check belt tension, 19mm Deflection / 3 – 5lbs (2kg) force and check for correct operation.
- After installing PGC, Ensure PGC cut out switch functions correctly.
- Ensure guards are fitted correctly.
- Check PGC magnet for correct operation.

Notes

Please indicate any areas of external damage

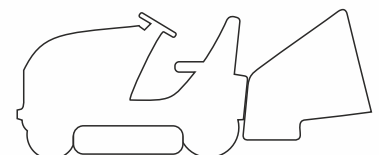
TOP VIEW



RH VIEW



LH VIEW



BOTTOM VIEW

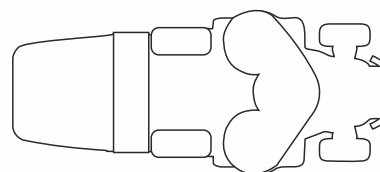
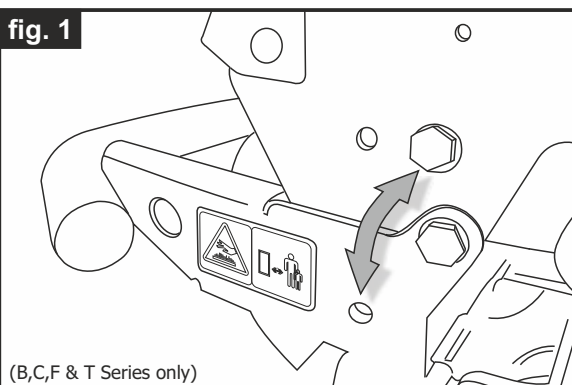


fig. 1



(B,C,F & T Series only)

Out of box failures

If any defects / damage to this machine are found when unpacking, please contact Ariens Company Ltd immediately, providing the serial number, description of the failure and all part numbers that are effected. You may also be asked to provide photographic evidence.

Tel: 01844 278 800
Fax: 01844 277 020
Web: Customer Portal Countax Spare Parts Website

Dealer Confirmation

Please note: - This form must be returned with the Warranty Registration documents.

Tractor Model Number:

Serial Number:

Customer's Details.

Dealer Details

Dealer Name:

Address:

Postcode:

Signature: Date:

Dealer Comments

**Please return this form to
Ariens Company Limited,
Countax House, Great Haseley Trading Estate, Great Haseley, Oxon, OX44 7PF**