



**OPERATION AND MAINTENANCE INSTRUCTIONS
FOR 9000 SERIES
ROOF TOP AIR CONDITIONERS
AND
CEILING PLENUMS**

**MODE D'EMPLOI ET UTILISATION
DES CLIMATISEURS DE TOIT DES
SÉRIES 9000 ET
PLÉNUM DE PLAFOND**

**RV Products
A Division of Airxcel, Inc.
P.O. Box 4020
Wichita, KS 67204**

TABLE OF CONTENTS

I.	General Information	2
II.	Standard Ceiling Plenum Control Panel	2
III.	Standard Ceiling Plenum Operation	3
IV.	Maintenance	4
V.	Wall Thermostat Identification And Operation	6
VI.	Warranty Service	7

SECTION I - GENERAL INFORMATION

These air conditioners were designed to operate from a 115 VAC, 60 HZ, 1 Phase power supply. Anytime an air conditioner is not operating properly, the power supply should be examined by a qualified technician to verify that the air conditioner is receiving the proper power supply.

The ability of the air conditioner to maintain the desired inside temperature depends on the heat gain of the recreational vehicle.

The size of the vehicle, amount of window area, amount of insulation, direct exposure to the sun, outside temperature and the number of people in the recreational vehicle may increase the heat gain to such an extent that the capacity of the air conditioner is exceeded.

As a general rule, air entering the air conditioner will be cooled about 15 to 20 degrees, depending on the outside temperature and humidity conditions.

For example, if the air entering the return air grilles in the air conditioner is 80 degrees F, the air leaving the discharge grilles in the air conditioner will be 60 to 65 degrees F.

As long as this temperature difference is being maintained between the return air and discharge air, the air conditioner is operating at its capacity. If the desired inside temperature (normally 80 degrees F) cannot be maintained, then the heat gain of the RV is too great for the capacity of the air conditioner.

Parking the vehicle in a shaded area, keeping windows and doors shut and avoiding the use of heat producing appliances in the vehicle will help to reduce the heat gain. When possible, the addition of insulation and tinted glass (especially in uninsulated vans) should be considered.

NOTE

The optional heating assembly is intended to take the chill out of the indoor air when the air is a few degrees too cool for comfort. The heating assembly is an effective “chill chaser”. It is not a substitute for a furnace.

SECTION II - CONTROL PANEL

If your RV air conditioner is operated from the control panel located in the ceiling assembly, then there are three controls on the ceiling assembly that help you control the air conditioner. They are as follows:

A. The Selector Switch - The selector switch determines which mode of operation the air conditioner will be in. By rotating the selector switch, the operator can obtain any system function desired. System functions vary depending upon options of both the roof top unit and ceiling assembly. Figure 1 shows selector switch location and lists all available functions by model.

The “Operation” section explains the operational characteristics of each mode of operation.

B. The Thermostat (temperature control) - In the cooling mode, the thermostat regulates the “ON” and “OFF” temperature setting at which the compressor will operate.

For “Heat/Cool” models, the thermostat also controls the “ON” and “OFF” temperature settings of the heater assembly. See Figure 1.

C. Louvers - The louvers are located at both ends of the ceiling assembly shroud and are used in directing the discharge air from the unit.

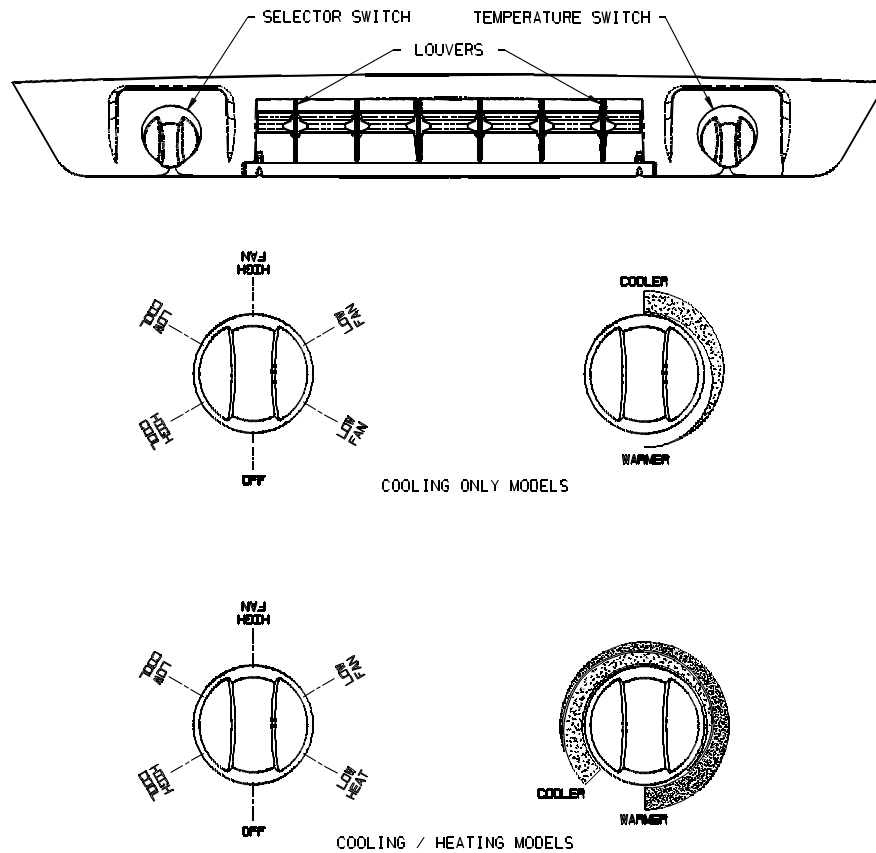


FIGURE 1

SECTION III - OPERATION

- I. For Cooling (Refer to Figure 1, page 3).**
- A. Turn the selector switch to the “LOW COOL” or “HIGH COOL” position.
 - B. Rotate the thermostat (temperature control) to the position that is the most comfortable to you. The thermostat will turn the compressor on when the temperature of the air entering the air conditioner rises a few degrees above the setting you have selected. Then the temperature of the air entering continues to cycle the compressor on and off in the above mentioned fashion until the selector switch is turned to another mode of operation.

- C. Position the louvers to the desired direction the discharge air is to flow.

Note: The fan operation is constant, only the compressor cycles on the thermostat.

- II. Operation During Cooler Nights (Cooling Operation).**

It is important, when the outdoor temperature drops in the evening or during the night to below 75 degrees F, that the thermostat (temperature control) be set at a midpoint between “Warmer” and “Cooler”. If the setting is at “Cooler”, the evaporator coil may become iced-up and stop cooling. During the day when the temperatures have risen above 75 degrees F, reset the thermostat switch to the desired setting.

NOTE

Should icing-up occur, it is necessary to let the cooling (evaporator) coil defrost before normal cooling operation is resumed. During this time, operate the unit in the “HIGH FAN” position with the system at maximum air flow. When increased or full air flow is observed, the cooling coil should be clear of ice.

III. Short Cycling

When an air conditioner is in operation, its compressor circulates refrigerant under high pressure. Once off, it will take two to three minutes for this high pressure to equalize.

The air conditioning compressor is unable to start against high pressure. Therefore, once the air conditioner is turned off, it is important to leave it off for two to three minutes before restarting.

Short cycling the compressor (or starting it before pressures have equalized), will in some instances, kick the circuit breaker or overload.

IV. For Heating (“Elect-A-Heat” Ceiling Assembly Model Only) Refer To Figure 1, page 3).

The optional Elect-A-Heat heating assembly is intended to take the chill out of the indoor air when the air is a few degrees too cool for comfort. The heating assembly is an effective “chill chaser”. It is not a substitute for a furnace.

Do not expect the heating coil on your heater to glow. Because the fan draws in cold air and forces it over the coil, the coil will not turn red. A hint of red may occur where the moving air does not directly touch the coil. With 9000 series ceiling assemblies, the heater coil is not externally visible.

- A. Turn the selector switch to the “LOW HEAT” position. At “LOW HEAT”, the fan operates on low speed with heat output at maximum.
- B. Rotate the thermostat (temperature control) switch to the position that is the most comfortable to you. The thermostat will turn the heater on when the

temperature of the air entering the air conditioning unit drops below this setting a few degrees and automatically turns off when the temperature of the air entering the air conditioner rises a few degrees above this setting. The heater will continue to cycle on and off in this fashion until the selector switch is turned to another mode of operation.

- C. Position the louvers to the desired direction the discharge air is to flow.

Discharge air temperature can be controlled to some extent by opening or closing the louvers.

When the louvers are closed, the warmest localized discharge air is achieved. Fully opened louvers will throw the warm discharge air to the back and front of the vehicle for more efficient circulation and faster warm-up. **Although the air temperature is lower with the louvers fully opened, the heating capacity is still the same.**

V. For Air Circulation Only (Refer To Figure 1, page 3).

- A. Turn the selector switch for “LOW FAN” or for maximum air flow, to “HIGH FAN”.
- B. Position the louvers to the desired direction the discharge air is to flow.

NOTE

When the selector switch is in the “LOW FAN” or “HIGH FAN” position, the blower motor will operate continuously.

SECTION IV - MAINTENANCE

1. Owner

One of the biggest advantages to your new RV Products air conditioner is that the maintenance needed to keep the unit in good care is minimal. In fact about the only thing you, the owner, must take care of is the cleaning and replacement of the filters.

Filters are made from long life non-allergenic natural fibers or foam which can be cleaned and reused, and which completely filter the circulated air when the air conditioner is in operation. If the filters are not cleaned at regular intervals, they may become partially clogged with lint, dirt, grease, etc. A clogged filter will produce a loss of air volume and may eventually cause an icing-up of the cooling (evaporator) coil.

IMPORTANT

Do not operate your air conditioner for extended periods of time without the filter installed.

An even more serious condition occurs when the air conditioner is operated without a filter. When this happens the lint, dirt, grease, etc. that are normally stopped by the filter are now accumulating in the cooling coil. This not only leads to a loss of air volume and a possible icing-up of the cooling coil, but could also result in serious damage to the operating components of the air conditioner.

We recommend that the filters be cleaned and changed at least every two weeks when the air conditioner is in operation.

Cleaning and/or changing the filters with 8000 series ceiling assemblies

1. Disengage the two 1/4-turn fasteners that secure the ceiling assembly grille to the ceiling assembly (See Figure 2).
2. Lower the grille and filters from the ceiling assembly.
3. Take filters out and either clean or exchange with other filters (See Figure 2).
4. If the vehicle is equipped with a flush mount ceiling assembly, remove the four return air grill screws. Remove filter from grill and either clean or exchange with new filters.

NOTE

If replacement filters are necessary, the filters can be purchased from most RV Products Authorized Service Centers. It is recommended that spare filters be carried with the RV at all times to replace worn, torn or deteriorated filters.

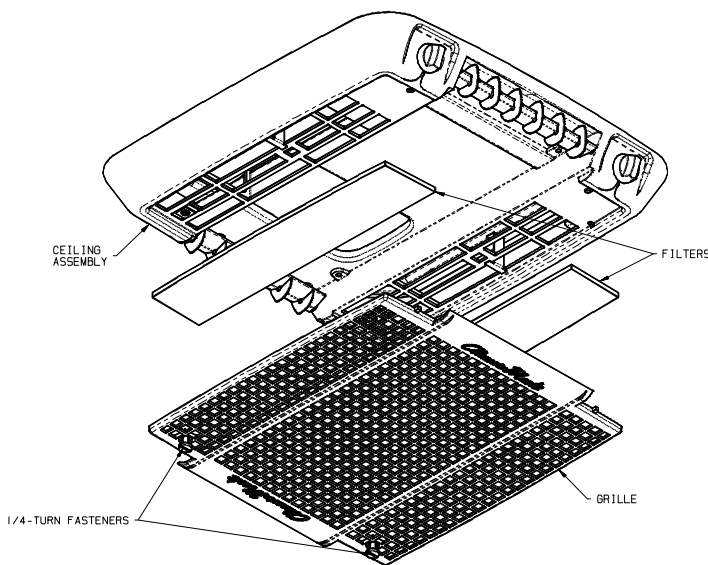


FIGURE 2

II. Service Person

- A. Electrical - All electrical work and/or inspection should be performed only by qualified service personnel. Contact your nearest RV Products Service Center if electrical problems should arise.

- B. Check Points - Failure to start or to cool the air are sometimes problems with air conditioning units. The RV Products RV air conditioner is designed to operate on 115 volt electrical power. If the compressor on the air conditioner fails to start, check with your RV Products Service Center to determine that the proper wire size is connected to the unit, the proper circuit breakers are installed as protection devices on the electrical circuit and the proper sized extension cord is being used for the distance covered from the utility outlet to the RV. The required minimum wire size is #12 AWG for lengths up to 25 feet (larger wire size for greater distances). Each air conditioning unit must be protected with a 20 amp time delay fuse or circuit breaker.

If the air conditioner continues to trip off the circuit breakers, have an electrician check the starting amperage and running amperage on the unit. If the circuit breaker continues to trip off and the electrical consumption is found to be normal, it will require the replacement of the faulty circuit breaker.

If all electrical power to the air conditioner is normal but neither the fan or the compressor will operate, the connector plug located behind the ceiling assembly control box should be checked to determine whether it is faulty.

On the heating-cooling air conditioner models, if all electrical power to the unit is normal and the fan runs but you never get any heated air, then the electrical plug to the heating unit should be checked for a secure connection. If this does not correct the malfunction, the heating thermostat or limit switch may be faulty.

- C. Mechanical Integrity - The air conditioner should be inspected periodically to be sure that the bolts which secure the unit to the roof are tight and in good shape. Also, an examination of the plastic shroud covering the air conditioner on the top of the roof should be made periodically. Be sure the four mounting screws and washers are snug and holding the shroud to the air conditioner. Also examine the shroud to be sure it is not developing cracks or has suffered damage from impact.
- D. Lubrication

DANGER

DISCONNECT THE POWER SUPPLY TO THE UNIT BEFORE SERVICING TO PREVENT A SHOCK HAZARD OR POSSIBLE INJURY FROM MOVING PARTS.

The blower drive motor on some units may include oiling cups at the top of the motor. There is no requirement to oil the journals under normal operating conditions.

However, if lubrication to the unit is desired, use only SAE 20 non-detergent type oil. DO NOT OVER OIL - three to four drops in each oil hole once a year is sufficient.

SECTION V - WALL THERMOSTAT IDENTIFICATION AND OPERATION

FOR REMOTELY CONTROLLED CEILING ASSEMBLIES ONLY

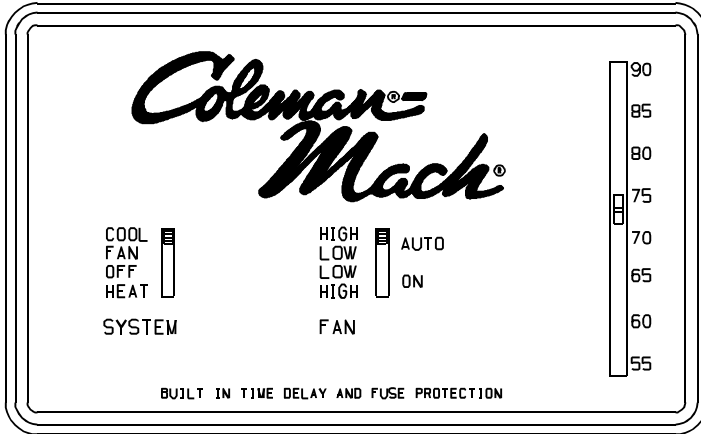
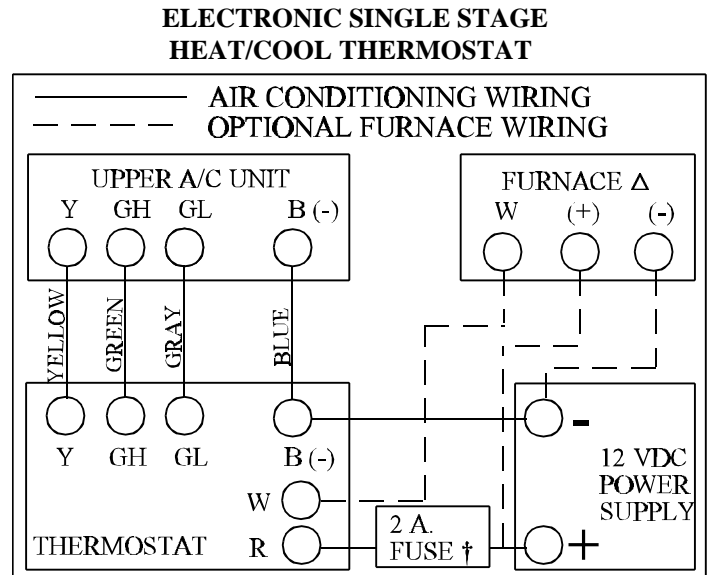


FIGURE 3

Heat/Cool Thermostat Shown.

“Cool Only” Model Has No Reference To Heat On Face Of Thermostat.



[^] Suggested Fuse To Protect Wiring Leading To Thermostat
^a Not Found In “Cool Only” Applications

FIGURE 4

OPERATION

The chart below shows the system functions with the “Heat/Cool” thermostat. After the entire air conditioning system (and furnace system) is installed, check each position function. Disregard references to heat functions when using the “Cool Only” thermostat.

■ SHOWS POSITION OF SWITCH								OPERATION
* SYSTEM				FAN				
HEAT	COOL	OFF	FAN	AUTO HI	LO	ON LO	HI	
<input type="checkbox"/>	<input type="checkbox"/>	<input checked="" type="checkbox"/>	<input type="checkbox"/>	<input type="checkbox"/>	<input type="checkbox"/>	<input type="checkbox"/>	<input type="checkbox"/>	No functions occur.
<input type="checkbox"/>	<input type="checkbox"/>	<input type="checkbox"/>	<input checked="" type="checkbox"/>	<input type="checkbox"/>	<input type="checkbox"/>	<input type="checkbox"/>	<input type="checkbox"/>	Air conditioner fan runs at high speed continuously regardless of fan switch setting or setpoint. No other functions occur.
<input type="checkbox"/>	<input checked="" type="checkbox"/>	<input type="checkbox"/>	<input type="checkbox"/>	<input checked="" type="checkbox"/>	<input type="checkbox"/>	<input type="checkbox"/>	<input type="checkbox"/>	Air conditioner compressor and high speed fan cycle to satisfy setpoint.
<input type="checkbox"/>	<input checked="" type="checkbox"/>	<input type="checkbox"/>	<input type="checkbox"/>	<input type="checkbox"/>	<input checked="" type="checkbox"/>	<input type="checkbox"/>	<input type="checkbox"/>	Air conditioner compressor and low speed fan cycle to satisfy setpoint.
<input type="checkbox"/>	<input checked="" type="checkbox"/>	<input type="checkbox"/>	<input type="checkbox"/>	<input type="checkbox"/>	<input type="checkbox"/>	<input checked="" type="checkbox"/>	<input type="checkbox"/>	Air conditioner compressor cycles to satisfy setpoint. Air conditioner low speed fan runs continuously.
<input type="checkbox"/>	<input checked="" type="checkbox"/>	<input type="checkbox"/>	<input type="checkbox"/>	<input type="checkbox"/>	<input type="checkbox"/>	<input type="checkbox"/>	<input checked="" type="checkbox"/>	Air conditioner compressor cycles to satisfy setpoint. Air conditioner high speed fan runs continuously.
<input checked="" type="checkbox"/>	*	<input type="checkbox"/>	<input type="checkbox"/>	<input checked="" type="checkbox"/>	<input type="checkbox"/>	<input type="checkbox"/>	<input type="checkbox"/>	Furnace and furnace blower cycles to satisfy setpoint. Furnace blower operates from sequencer or time delay in furnace. Air conditioner blower does not run.
<input checked="" type="checkbox"/>	*	<input type="checkbox"/>	<input type="checkbox"/>	<input type="checkbox"/>	<input checked="" type="checkbox"/>	<input type="checkbox"/>	<input type="checkbox"/>	
<input checked="" type="checkbox"/>	*	<input type="checkbox"/>	<input type="checkbox"/>	<input type="checkbox"/>	<input type="checkbox"/>	<input checked="" type="checkbox"/>	<input type="checkbox"/>	
<input checked="" type="checkbox"/>	*	<input type="checkbox"/>	<input type="checkbox"/>	<input type="checkbox"/>	<input type="checkbox"/>	<input type="checkbox"/>	<input checked="" type="checkbox"/>	

All cooling functions controlling to setpoint have a short cycle protection time delay of 3 minutes. There will be no delay if the cycle **OFF** time exceeds 3 minutes.

* There is no heat switch or furnace function available with the “Cool Only” thermostat.

SECTION VI - WARRANTY SERVICE

Let’s face it. Sometimes even the best products may need service. To obtain warranty service on your RV Products air conditioner, contact your selling dealer or dial toll free 1-877-430-8084 to locate the Authorized Service Center closest to you. You may also access our web site on the Internet at www.rvcomfort.com for answers to the most frequently asked questions and service center locations.

RV Products support help may be accessed by E-mail at RVPSupport@Airxcel.com.

All written correspondence should be directed to:

RV Products
A Division of Airxcel, Inc.
P.O. Box 4020
Wichita, KS 67204

IMPORTANT

1. Carefully read your limited two year product warranty which is packed with the product.
2. An optional three year extended parts only contract is available at an additional cost of \$89.95. To obtain this optional three years parts contract, fill out the application card stapled to the front of this envelope. Please mail the card and a check or money order to the address above. Applications must be made **within ninety (90) days** of the original purchase.
3. Inquiries about your RV Products air conditioner must include the model and serial numbers and the date of purchase. The model and serial numbers can be found on the I.D. label located on the air conditioner basepan return air opening at the bottom of the roof unit. This information may also be found on the air conditioner rating plate.

TABLE DES MATIÈRES

I.	Renseignements généraux	9
II.	Panneau de contrôle de plenum de plafond standard	9
III.	Fonctionnement du plénum de plafond standard	10
IV.	Entretien	11
V.	Fonctionnement et identification du thermostat mural	12
VI.	Service de garantie	12

SECTION I - RENSEIGNEMENTS GÉNÉRAUX

Ces climatiseurs de toit furent conçus pour fonctionner à partir d'une source d'alimentation de 115 V.c.a., 60 Hz, 1 phase. Lorsqu'un climatiseur ne fonctionne pas correctement, l'alimentation électrique doit être examinée par un technicien qualifié afin de vérifier que le climatiseur reçoit la bonne alimentation de courant.

La capacité du climatiseur de maintenir la température intérieure voulue dépend du gain de chaleur du véhicule récréatif. La taille du véhicule, le nombre de fenêtres, la quantité d'isolant, l'exposition directe au soleil, la température extérieure ainsi que le nombre de personnes dans le véhicule peuvent tellement augmenter la chaleur que la capacité du climatiseur est dépassée.

En règle générale, l'air qui entre dans le climatiseur sera refroidi d'environ 15 à 20 degrés selon la température et l'humidité de l'extérieur.

Par exemple, si l'air qui entre dans les grilles d'entrée d'air du climatiseur est de 80 degrés F (24 degrés C), l'air quittant les grilles de sortie d'air du climatiseur sera de 60 à 65 degrés F (13 à 16 degrés C).

Aussi longtemps que cette différence de température est maintenue entre l'entrée et la sortie d'air, le climatiseur fonctionne à sa capacité. Si l'on ne peut conserver la température intérieure voulue (normalement 80 degrés F (24 degrés C)), alors le gain de chaleur du VR est trop élevé pour la capacité du climatiseur.

Le fait de stationner le véhicule à l'ombre, de garder les fenêtres et les portes fermées et d'éviter d'utiliser des appareils dégagant de la chaleur aidera à réduire le gain de chaleur. On peut aussi considérer ajouter de l'isolant et des verres teintés (tout particulièrement dans les caravanes non isolées).

REMARQUE

Le chauffage offert en option a pour but d'enlever l'air froid intérieur lorsque l'air ambiant est un peu trop frais pour être confortable. Le système de chauffage est efficace pour «enlever le froid», mais non pas pour remplacer l'appareil de chauffage.

SECTION II - PANNEAU DE CONTRÔLE

Si votre climatiseur de VR fonctionne à partir d'un panneau de contrôle au plafond, il y a alors trois commandes au plafond pour aider à contrôler le climatiseur. Les voici :

A. Le sélecteur - le sélecteur détermine le mode de fonctionnement du climatiseur. En le tournant, l'opérateur peut obtenir toutes les fonctions du système voulues. Celles-ci varient selon les options de l'unité du toit et du plafond. Le figure 1 illustrent l'emplacement du sélecteur et énumèrent toutes les fonctions disponibles par modèle.

La section «fonctionnement» explique les caractéristiques de fonctionnement de chaque mode.

B. Le thermostat (contrôle de température) - sous le mode de refroidissement, le thermostat contrôle le réglage de température «ON» (marche) et «OFF» (arrêt) du chauffage.

Pour les modèles «chaleur/refroidissement», le thermostat contrôle aussi les réglages de température «ON» et «OFF» du radiateur. Voir figure 1 à la page 3.

C. Aérateurs - les aérateurs se trouvent aux deux extrémités du couvercle du plafond et servent à diriger la décharge d'air de l'appareil.

SECTION III - FONCTIONNEMENT

I. Pour le refroidissement (se reporter aux figure 1, page 3)

- A. Placer le sélecteur à la position «LOW COOL» (refroidissement faible) ou à «HIGH COOL» (refroidissement fort).
- B. Tournez le thermostat (régulateur de température) sur la position qui vous convient le mieux. Le thermostat enclenchera le compresseur aussitôt que la température de l'air entrant dans le climatiseur s'élèvera à un ou deux degrés au-dessus du réglage sélectionné. Ensuite, le compresseur continuera de s'enclencher et de s'arrêter en fonction de la température de l'air entrant dans le climatiseur jusqu'à ce que vous mettiez le sélecteur sur un autre mode de fonctionnement.
- C. Placer les aérateurs dans la direction voulue pour l'écoulement de l'air déchargé.

Remarque: Le ventilateur marche toujours de façon égale, seul le compresseur effectue des cycles en fonction du thermostat.

II. Fonctionnement durant les nuits plus froides (fonctionnement de refroidissement)

Lorsque, le soir ou la nuit, la température extérieure tombe en dessous de 24 °C, il est important que le thermostat (le régulateur de température) soit mis au milieu des positions **W** Warmer **O** et **C** Cooler **O**. Si le thermostat est placé sur **C** Cooler **O**, le serpentin évaporateur peut se recouvrir de givre et, par conséquent, cesser de refroidir l'air. Le jour, lorsque la température remonte au-dessus de 24 °C, remettez le thermostat à la position désirée.

REMARQUE

S'il y a de la glace qui s'accumule, il est alors nécessaire de laisser le serpentin du refroidisseur (évaporateur) dégeler avant de reprendre le fonctionnement de refroidissement normal. Durant ce temps, faire fonctionner l'appareil en position «HIGH FAN» (ventilateur fort) avec le système au maximum de la circulation d'air. Lorsque cette circulation augmente ou fonctionne au maximum, le serpentin du refroidisseur ne devrait pas avoir de glace.

III. Fonctionnement en courts cycles

Lorsqu'un climatiseur fonctionne, son compresseur fait circuler le réfrigérant sous haute pression. Arrêté, il faut deux à trois minutes pour que cette haute pression s'égalise.

Le compresseur du climatiseur est incapable de démarrer contre une haute pression, donc, lorsque le climatiseur est

arrêté, il est important de le laisser arrêter pendant deux à trois minutes avant de le faire redémarrer.

Les compresseurs fonctionnant en courts cycles (ou lancés avant que les pressions ne soient égalisées) déclencheront parfois le disjoncteur ou une surcharge.

IV. Pour chauffer (modèle de plafond «Elect-A-Heat» seulement), se reporter aux figure 1, page 3.

Le montage de chauffage Elect-A-Heat optionnel est conçu pour enlever l'air frais à l'intérieur du véhicule, un peu trop froid pour le confort. Le système de chauffage est efficace pour «enlever le froid», mais non pas pour remplacer l'appareil de chauffage.

Ne pas s'attendre à ce que le serpentin de chauffage de votre appareil de chauffage produise de l'incandescence. Puisque le ventilateur aspire de l'air froid et le fait passer sur le serpentin, celui-ci ne peut devenir rouge. Il peut y avoir une rougeur lorsque l'air passe directement sur le serpentin. Pour les montages de plafond de la série 9000, le serpentin de chauffage n'est pas visible à l'extérieur.

- A. Placer le sélecteur à «LOW HEAT» (faible chaleur) et le ventilateur fonctionne à vitesse réduite avec la sortie de chaleur au maximum.
- B. Faire tourner le thermostat (contrôle de température) à la position la plus confortable. Le thermostat met le compresseur en marche lorsque la température de l'air qui entre dans le climatiseur diminue de quelques degrés sous le réglage choisi. Lorsque la température de l'air qui entre dans le climatiseur augmente au-dessus de ce réglage, il arrêtera le compresseur. Le chauffage continuera à passer de marche à arrêt de la manière indiquée précédemment jusqu'à ce que le sélecteur soit placé dans un autre mode de fonctionnement.
- C. Placer les aérateurs dans la direction voulue pour l'écoulement de l'air déchargé.

La température de décharge d'air peut être contrôlée jusqu'à un certain point en ouvrant ou en fermant les aérateurs.

Lorsque les aérateurs sont fermés, l'on peut atteindre l'air de décharge le plus chaud. Les aérateurs entièrement ouverts déchargeront l'air chaud vers l'arrière et l'avant du véhicule pour une circulation plus efficace et un réchauffement plus rapide. Bien

que la température de l'air soit moins élevée lorsque les aérateurs sont entièrement ouverts, la capacité de chauffage sera encore la même.

V. Pour la circulation d'air seulement (se reporter aux figure 1, page 3)

- A. Placer le sélecteur à «LOW FAN» (ventilateur faible) ou pour une circulation d'air maximale, à «HIGH FAN» (ventilateur fort).

- B. Placer les aérateurs dans la direction voulue pour l'écoulement de l'air déchargé.

REMARQUE

Lorsque le sélecteur est en position «LOW FAN» ou «HIGH FAN», le moteur à soufflerie fonctionne continuellement.

SECTION IV - ENTRETIEN

I. Propriétaire

Un des plus grands avantages de votre nouveau climatiseur de RV Products est que l'entretien nécessaire pour conserver votre appareil en bon état est minime. En fait, tout ce que vous avez à faire, comme propriétaire, est de nettoyer et de remplacer les filtres.

Les filtres sont fabriqués de fibres naturelles non-allergènes ou de mousse de longue durée que l'on peut nettoyer et réutiliser, et ils filtrent entièrement l'air circulé lorsque le climatiseur est en marche. Si les filtres ne sont pas nettoyés à intervalles réguliers, ils peuvent se bloquer partiellement par de la poussière, de la graisse, de la peluche, etc. Un filtre bloqué provoquera une perte de volume d'air et peut éventuellement causer l'accumulation de glace sur le serpentin du refroidisseur (évaporateur).

IMPORTANT

Ne pas faire fonctionner votre climatiseur pendant de longues périodes sans filtre.

Lorsque le climatiseur fonctionne sans filtre, il peut y avoir un problème plus grave car la poussière, la graisse, la peluche, etc. arrêtées normalement par le filtre s'accumulent maintenant dans le serpentin du refroidisseur. Ceci provoque une perte de volume d'air et une accumulation possible de glace sur le serpentin du refroidisseur, mais cela peut aussi provoquer de graves dommages aux composants du climatiseur.

Nous recommandons de nettoyer ou de changer les filtres au moins aux deux semaines lorsque le climatiseur fonctionne.

Nettoyer et/ou changer les filtres des montages de plafond de la série 8000:

1. Dégagez d'un quart de tour les deux attaches qui retiennent la grille du plafond à l'assemblage du plafond (voir la figure 2).

2. Abaissez la grille et les filtres de l'assemblage du plafond.
3. Sortir les filtres et nettoyer ou échanger avec d'autres filtres (voir la figure 2 à la page 5).
4. Si le vehículo esta equipado con un conjunto de techo de montaje nivelado, extraiga los cuatro tornillos de retorno de la parrilla de aire (Ver la Figura 2). Extraiga el filtro de la parrilla y límpiolo o reemplácelo por uno nuevo.

REMARQUE

Si des filtres de remplacement sont nécessaires, on peut se les procurer de la plupart des centres de service autorisés RV Products. Il est recommandé de toujours avoir des filtres de rechange dans votre VR en tous temps pour remplacer les filtres détériorés, usés ou déchirés.

II. Responsable de l'entretien

- A. Électricité - Tous les travaux et/ou inspections électriques ne doivent être effectués que par un personnel d'entretien qualifié. Contactez votre centre d'entretien RV Products s'il y a des problèmes.
- B. Points de contrôle - Les climatiseurs ont quelquefois des problèmes de démarrage ou de refroidissement. Le climatiseur RV Products est conçu pour fonctionner sur un courant électrique de 115 V. Au cas où le compresseur de climatiseur refuserait de démarrer, contacter le centre d'entretien RV Produits pour déterminer si le climatiseur est alimenté par un câblage de calibre adéquat, si la protection du circuit électrique est assurée par des disjoncteurs appropriés et si le calibre du câble de rallonge, raccordant la prise de secteur du véhicule, est aussi adéquat. Jusqu'à 7,6 m, le calibre minimum de fil requis est 1,5 mm (#12 AWG). Un calibre plus fort est requis pour une distance plus longue. Chaque climatiseur doit être protégé par un fusible à action différée ou par un disjoncteur.

Si le climatiseur fait déclencher continuellement le disjoncteur, faire vérifier par un électricien l'ampérage de démarrage et de marche. Si le déclenchement du disjoncteur se poursuit alors que la consommation électrique reste normale, il sera nécessaire de remplacer le disjoncteur défectueux. Si, alors que l'alimentation électrique du climatiseur est normale, ni le ventilateur ni le compresseur ne fonctionnent, vérifier la connexion de la prise située à l'arrière de la boîte de commande du module.

Pour les modèles de climatiseur à air chaud et à air froid, si tout le courant électrique à l'appareil est normal et si le ventilateur fonctionne, mais sans air chaud, alors, il faut vérifier l'unité de chauffage pour s'assurer d'une bonne connexion. Si ceci ne corrige pas la panne, il se peut que le problème réside avec le thermostat de chauffage ou le disjoncteur.

- C. Intégrité mécanique - Le climatiseur devrait être inspecté régulièrement pour s'assurer que les boulons qui retiennent l'appareil au toit sont serrés et en bon état. Il serait aussi utile de faire un examen du couvercle de plastique couvrant le climatiseur sur le toit. S'assurer que les quatre vis

de montage et les rondelles sont bien en place et retiennent le couvercle au climatiseur. Examiner aussi le couvercle pour s'assurer qu'il n'y a aucune fissure ou de dommages suite à un choc.

- D. Lubrification

DANGER

DÉBRANCHER LA SOURCE D'ALIMENTATION À L'APPAREIL AVANT TOUT ENTRETIEN POUR ÉVITER LES DANGERS DE CHOC ÉLECTRIQUE OU LA POSSIBILITÉ DE BLESSURES CAUSÉES PAR LES PIÈCES MOBILES.

Le moteur d'entraînement de la soufflerie de certains appareils peut inclure des godets graisseurs au sommet du moteur. Il n'y a aucun raison d'huiler les tourillons sous des conditions normales de fonctionnement. S'il faut toutefois lubrifier l'appareil, utiliser seulement de l'huile du type non-détergent SAE 20. NE PAS METTRE TROP D'HUILE - trois à quatre gouttes dans chaque trou d'huile, une fois l'an, suffisent.

SECTION V - IDENTIFICATION ET FONCTIONNEMENT DU THERMOSTAT MURAL RÉSERVÉ AUX MONTAGES DE PLAFOND CONTRÔLÉS À DISTANCE

FONCTIONNEMENT

Le tableau suivant illustre les fonctions du système. Après l'installation du système de climatisation

(et le système de chauffage), vérifier chaque fonction de position. Voir le tableau à la page 7.

SECTION VI - GARANTIE

Il convient de le dire, même les produits de la plus haute qualité ont parfois besoin d'être réparés. Pour toute réparation sous garantie de votre climatiseur de RV Products, communiquez avec votre concessionnaire ou composez sans frais le 1-877-430-8084 pour trouver le Centre de service accrédité des produits RV Products le plus proche de chez vous. Vous avez également le choix de visiter notre site Web sur Internet au www.rvcomfort.com pour trouver les réponses aux questions courantes et les adresses des Centres de service.

De même, vous pouvez entrer en contact avec le service de soutien à la clientèle par courrier électronique au RVPSupport@Airxcel.com.

Toute correspondance écrite doit être envoyée à l'adresse suivante:

**RV Products
A Division of Airxcel, Inc.
P.O. Box 4020
Wichita, KS 67204**

IMPORTANT

1. Lisez soigneusement la garantie limitée de deux ans, laquelle est emballée avec le produit.
2. Vous pouvez également vous procurer un contrat prolongé de trois ans couvrant uniquement les pièces détachables moyennant un supplément de 89,95 \$US. Pour ce faire, remplissez la carte de demande agrafée à l'avant de cette enveloppe. Veuillez envoyer la carte et un chèque ou un mandat à l'adresse mentionnée ci-dessus. Les demandes doivent être **faites dans les quatre-vingt-dix (90) jours** suivant l'achat initial.
3. Pour tout renseignement à propos de votre climatiseur de RV Products, vous devez indiquer le nom du modèle, les numéros de série et la date d'achat. Le nom du modèle et les numéros de série sont inscrits sur l'étiquette de l'identification placée sur l'orifice de reprise dans le plateau situé à la partie inférieure du climatiseur de toit. Ces informations figurent aussi sur la plaque signalétique du climatiseur.

