



# **INSTALLATION INSTRUCTIONS**

**FOR**

**8333A9021 AND 8335-9021**

**HARD START KITS**

**RV Products  
A Division of Airxcel, Inc.  
P.O. Box 4020  
Wichita, KS 67204**

# TABLE OF CONTENTS

I.	Application . . . . .	2
II.	Package Contents . . . . .	2
III.	Installation And Safety Requirements . . . . .	2
IV.	Installation Procedure . . . . .	3
V.	Wiring . . . . .	3

## APPLICATION

This kit is required only when the appliance in question does not have hard start components and is subject to hard starting conditions such as short cycling or extreme low voltage.

This kit consists of a standard start capacitor, PTCR start device, wiring and instructions.

## PACKAGE CONTENTS

- (1) Start Capacitor
- (1) PTCR Start Device
- (1) Red Wire Assembly
- (1) Yellow Wire Assemblies

## INSTALLATION AND SAFETY REQUIREMENTS

### IMPORTANT NOTICE

These instructions are for the use of qualified individuals specially trained and experienced in installation of this type equipment and related system components.

Installation and service personnel are required by some states to be licensed. **PERSONS NOT QUALIFIED SHALL NOT INSTALL NOR SERVICE THIS EQUIPMENT.**

### NOTE

The words "Shall" or "Must" indicate a requirement which is essential to satisfactory and safe product performance.

The words "Should" or "May" indicate a recommendation or advice which is not essential and not required, but which may be useful or helpful.

### WARNING - SHOCK HAZARD

**TO PREVENT THE POSSIBILITY OF SEVERE PERSONAL INJURY OR EQUIPMENT DAMAGE DUE TO ELECTRICAL SHOCK, ALWAYS BE SURE THE ELECTRICAL POWER SOURCE TO THE APPLIANCE IS DISCONNECTED.**

**CAREFULLY FOLLOW ALL INSTRUCTIONS AND WARNINGS IN THIS BOOKLET TO AVOID DAMAGE TO THE EQUIPMENT, PERSONAL INJURY OR FIRE.**

### WARNING

**Improper installation may damage equipment, can create a hazard and will void the warranty.**

**The use of components not tested in combination with these units will void the warranty, may make the equipment in violation of state codes, may create a hazard and may ruin the equipment.**

# INSTALLATION PROCEDURE

1. Disconnect all electrical power to the air conditioner.
2. In this installation, we are adding a PTCR start device and start capacitor to an air conditioner that does not contain these components.

The PTCR and capacitor are to be mounted in the air conditioners junction box.

The junction box is located in the right rear corner of the roof top unit evaporator housing. The junction box door can be removed from the evaporator

housing by removing the screw shown in Figure 1. After removing the screw, pull the top of the door outward and lift out.

Figure 2 shows the junction box with starting components.

3. The start capacitor is installed using the metal strap in the unit. Loosen the screw on the end with multiple holes. Add capacitor to front of others and wrap strap around and fasten strap securely (See Figure 2).

## WIRING

1. Connect red wire from PTCR device to one side of run capacitor.
2. Connect yellow wire from start capacitor, opposite side from PTCR device to the opposite side of the run capacitor.
3. Verify wiring per the wiring diagram shown in Figure 3.
4. Verify that all wiring connections in the junction box are secure and not either shorted or grounded.
5. Carefully tuck in all loose wiring and replace the junction box door.
6. Clear appliance of all tools. Replace roof top unit plastic shroud. Turn all controls to "OFF". Restore electrical power and run test the air conditioner.

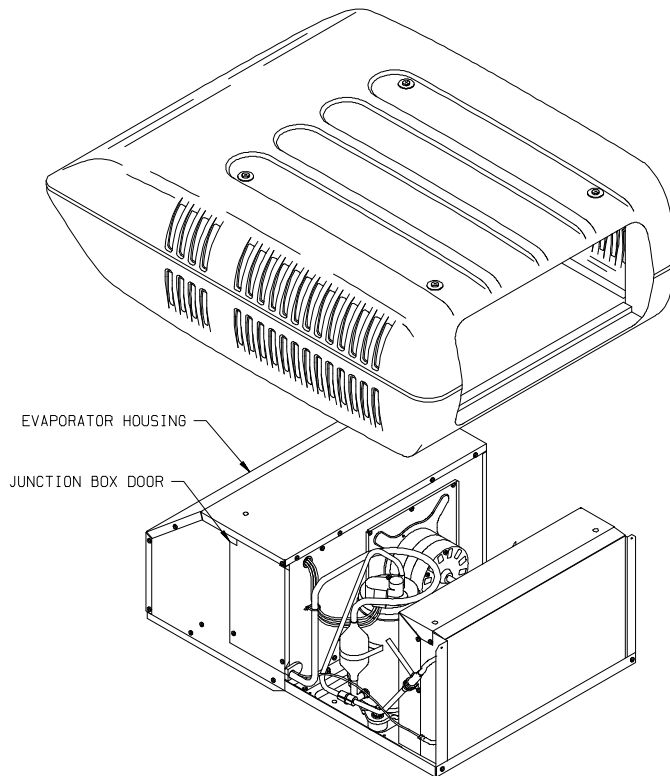
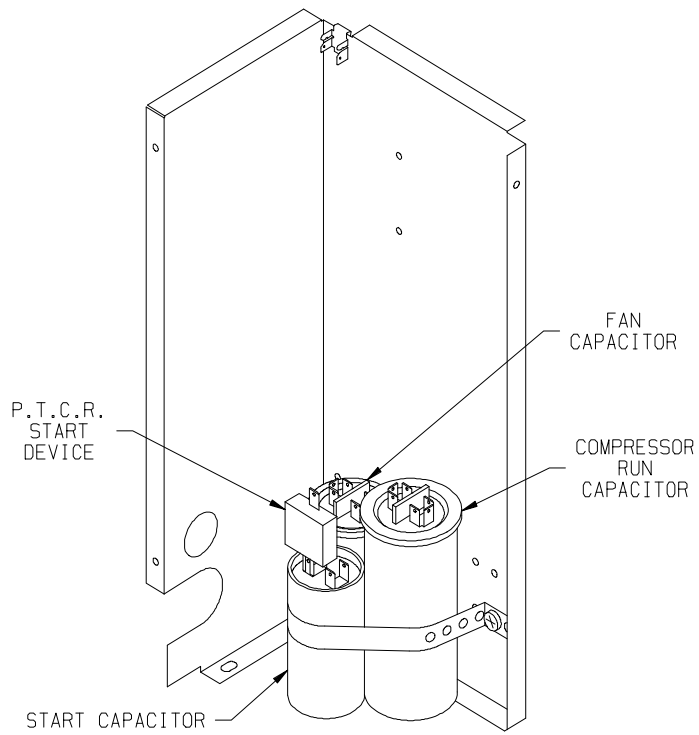
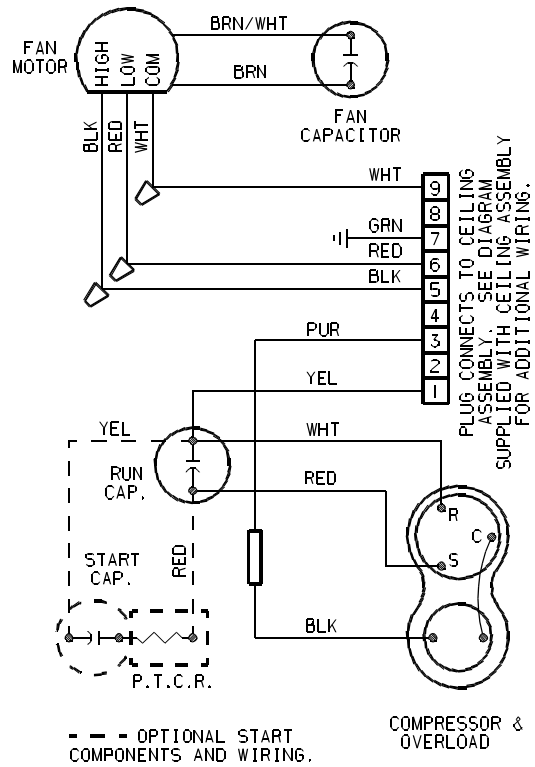


FIGURE 1



**FIGURE 2**



**FIGURE 3**