



**REPAIR PARTS LIST
FOR
7332A89XX
7332B89XX
7332C89XX**

WARRANTY INFORMATION

PARTS RETURN

“Air Conditioning” in-warranty parts subject to return to RV Products must be sent prepaid to the following address. Always include your company’s claim or workorder along with RV Products invoice generated from the shipment of the replacement part.

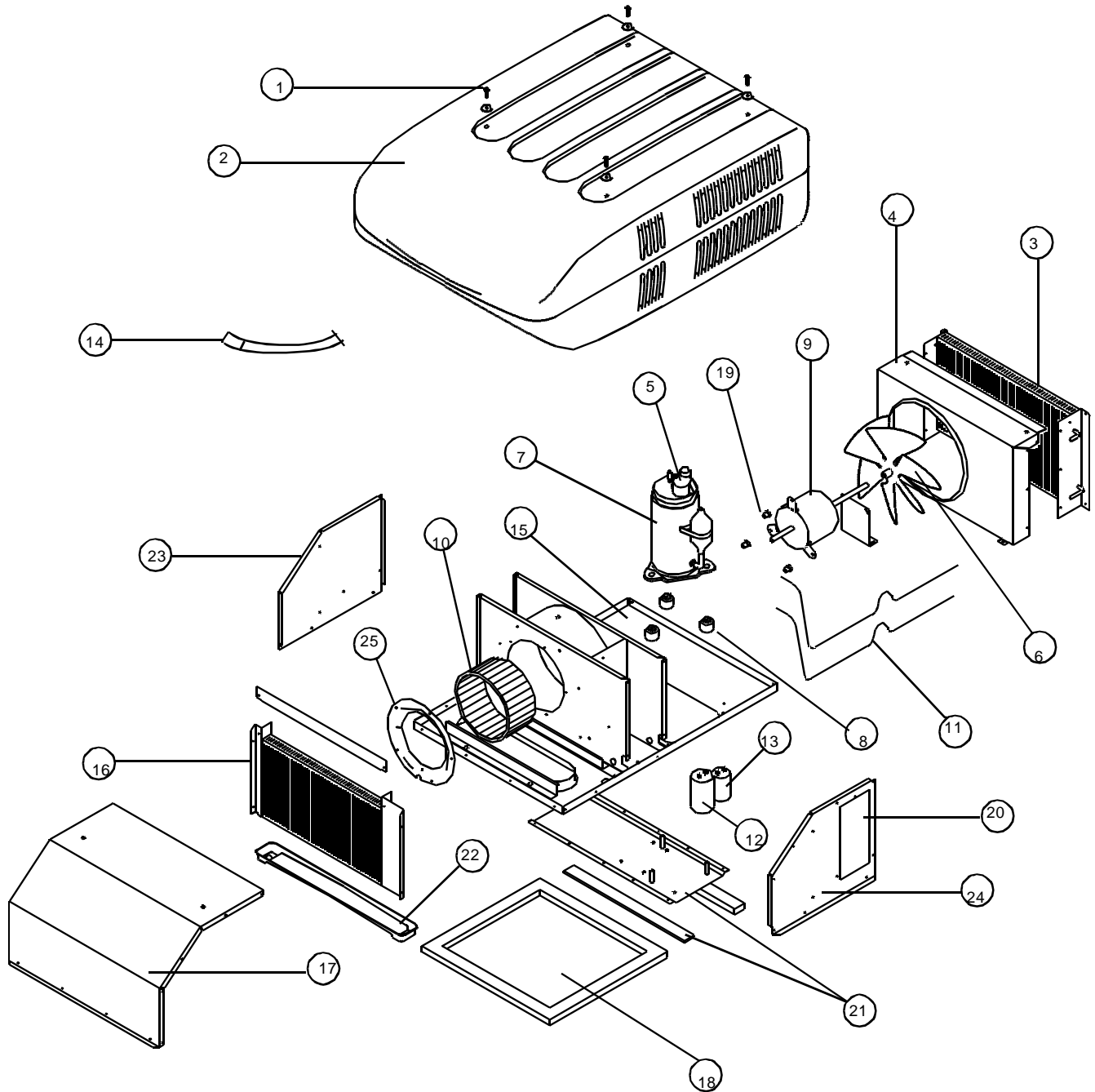
RV Products
A Division of Airxcel, Inc.
Attn: Warranty Return
3050 N. St. Francis
Wichita, KS 67219

WRITTEN CORRESPONDENCE

For written correspondence only, do not send parts to the following address:

RV Products
A Division of Airxcel, Inc.
Dept. 546
P.O. Box 4020
Wichita, KS 67204

7332A89XX
7332B89XX
7332C89XX





7332A89XX
7332B89XX
7332C89XX

CODE	MODEL USED ON	PART NUMBER	DESCRIPTION	NO. REQ.
1.	All	6792-5111	Screw Nut & Washer (4/Pkg.)	1
2.	8X1	6759-4611	Shroud (White/White) Less Logo	1
	8X2	6759-6421	Shroud (Gray/Gray) Less Logo	1
	8X6	7333-4601	Shroud (Arctic White/Arctic White)	1
	8X7	6759-4601	Shroud (Ivory/Ivory)	1
	8X8	6759-6411	Shroud (Buff/Buff) Less Logo	1
ns	All	6798B3591	Decal Pkg. (Left & Right)	1
3.	"A"	1452B1301	Condenser Coil	1
	"B"	1452-1451	Condenser Coil	1
	"C"	1452A1451	Condenser Coil	1
4.	All	6792-1071	Fan Shroud	1
5.	All	6757-3551	Overload (CRA #2718-250)	1
6.	All	6733-3221	Fan (4 Blade, 11 Dia., 40E Pitch, .50 Dia. Bore)	1
7.	All	6757-3679	Compressor (Tec-AK144AT-022-A4)	1
8.	All	6240B3031	compressor Mounting Pkg. (4/Pkg.)	1
ns	All	6247-3611	Compressor Base & Spring	1
9.	All	1468A3049	Motor (115V, 60 HZ)	1
10.	All	1472-1041	Impellor	1
11.	"A"	7332-1351	Cap Tube (Formed)	2
	"B", "C"	7333-1351	Cap Tube (Formed)	1
12.	All	1499-5661	Run Capacitor (Comp-25 Mfd/370V)	1
13.	All	1499-5461	Fan Capacitor (7.5 Mfd/370V)	1
ns	All	1497-0471	Start Capacitor (47-56 Mfd/165V)	1
ns	All	1497-4131	Start Relay (RBM #128226-1945C)	1
14.	All	6792-5491	Conduit & Wiring Assembly (6 Wires)	1
15.	All	6792A5011	Basepan (with foam scroll)	1
16.	"A"	1452A1311	Evaporator Coil	1
	"B", "C"	1452-1461	Evaporator Coil	1
17.	All	6792A5061	Evaporator Cover Assy. With Insulation	1
ns	All	6759B3971	Filler Pad - Condenser Air Seal	1
18.	All	6792A3301	Gasket Pkg.	1
19.	All	6792A3361	Motor Mount & Shaft Seal Kit	1
20.	All	6792B109	Wirebox Door	1
21.	All	7332-5161	Spacer Plate & Pad	1
22.	All	7333-5501	Drain Pan Assembly	1
23.	All	6792B505	Side Panel Rt. With Insulation	1
24.	All	6792-504	Side Panel Lt. With Insulation	1
ns	All	7332-130	Suction Line	1
ns	"A", "B"	7332-131	Discharge Line	1
	"C"	7332A131	Discharge Line	1
ns	All	1454-302	Glove Distributor	1
25.	All	6792-114	Venturi Ring	1
ns	89X3	7333A3011	Charger Cable Assembly (Solar)	1

Note: All parts with three digit suffix numbers are "Special Order" Parts. These parts are subject to factory availability and require extra time for delivery.

ns = not shown