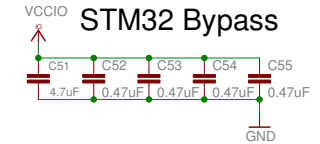
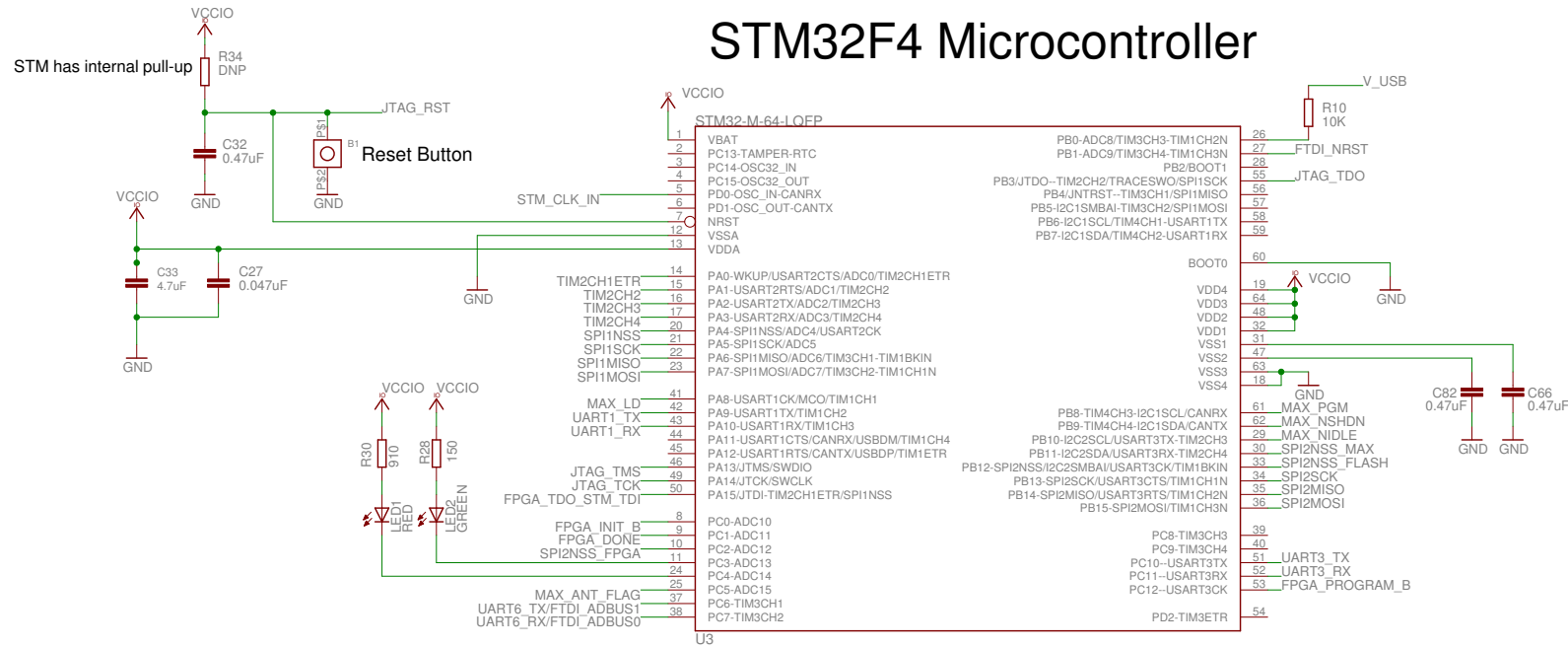
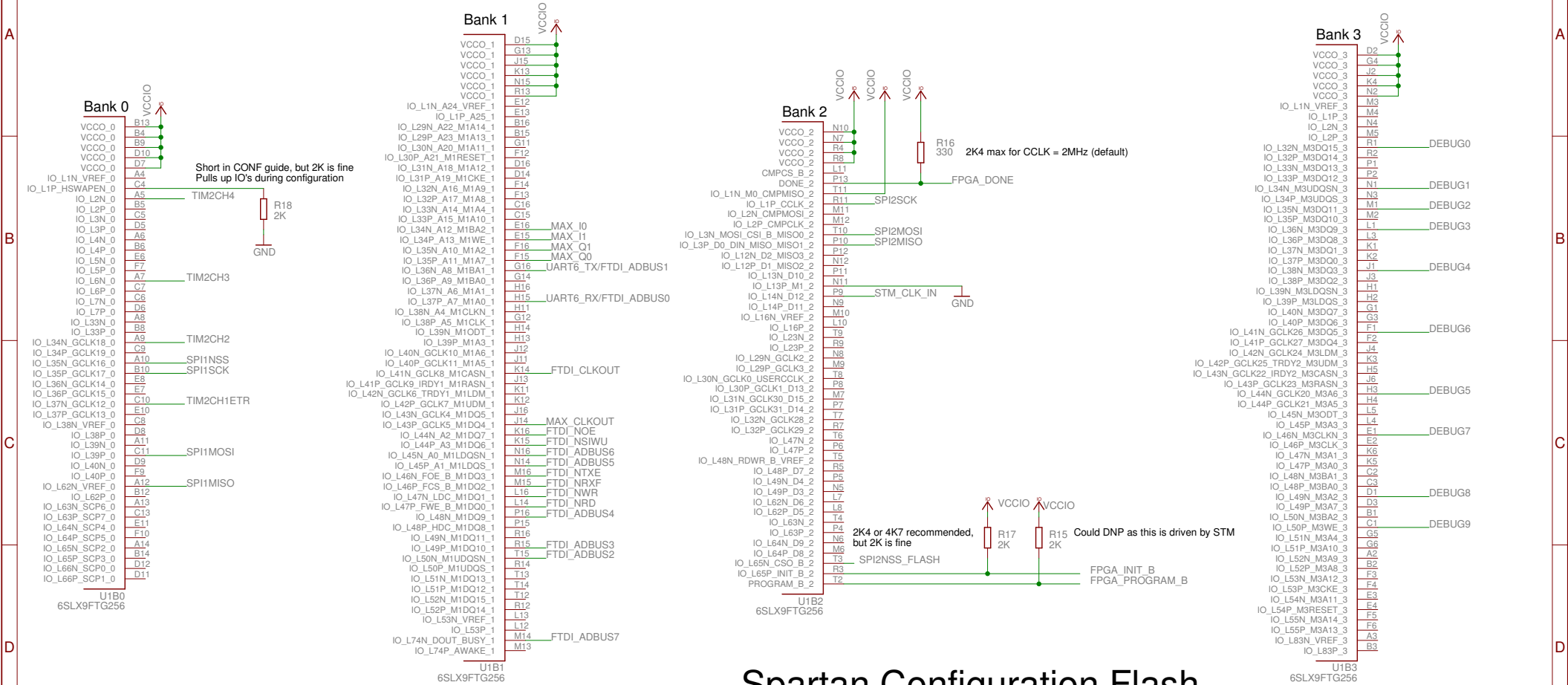


# STM32F4 Microcontroller



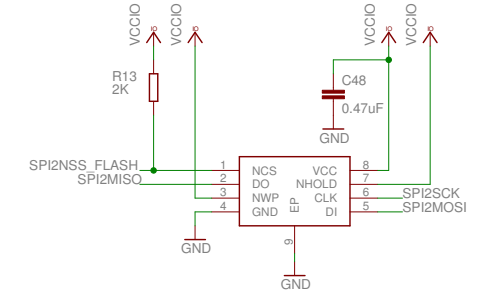
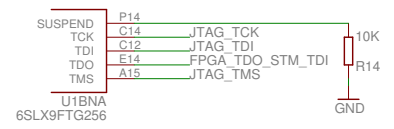
Piksi 2.3.1	Microcontroller
Copyright (C) 2011-2013 Swift Navigation Inc.	piksi
License : CC BY-SA 3.0	6/18/13 4:28 PM
	Sheet: 1/7
	v2.3.1

# Spartan IO Banks



# Spartan Configuration Flash

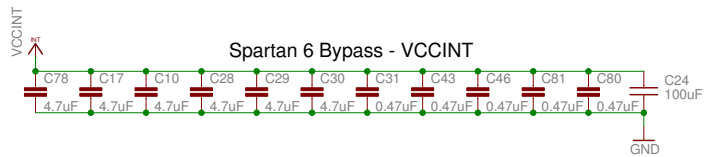
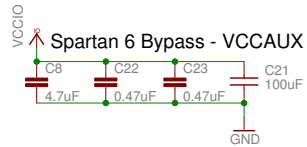
## Spartan JTAG



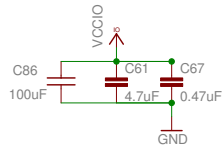
Piksi 2.3.1	FPGA IO Banks / JTAG / Flash
Copyright (C) 2011-2013 Swift Navigation Inc.	piksi
License : CC BY-SA 3.0	6/18/13 4:28 PM
	Sheet: 2/7
	v2.3.1

# Spartan 6 Power Bypassing

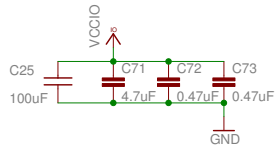
# Spartan 6 Power Pins



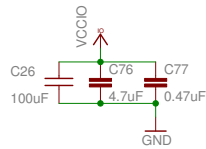
Spartan 6 Bypass - Bank 0



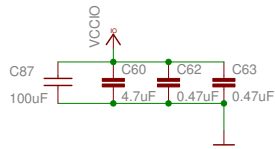
Spartan 6 Bypass - Bank 1



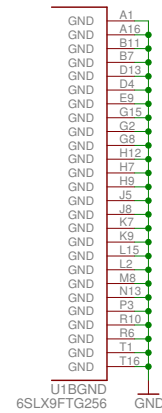
Spartan 6 Bypass - Bank 2



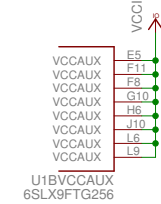
Spartan 6 Bypass - Bank 3



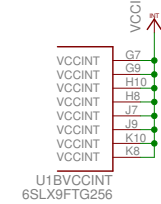
## Ground Pins



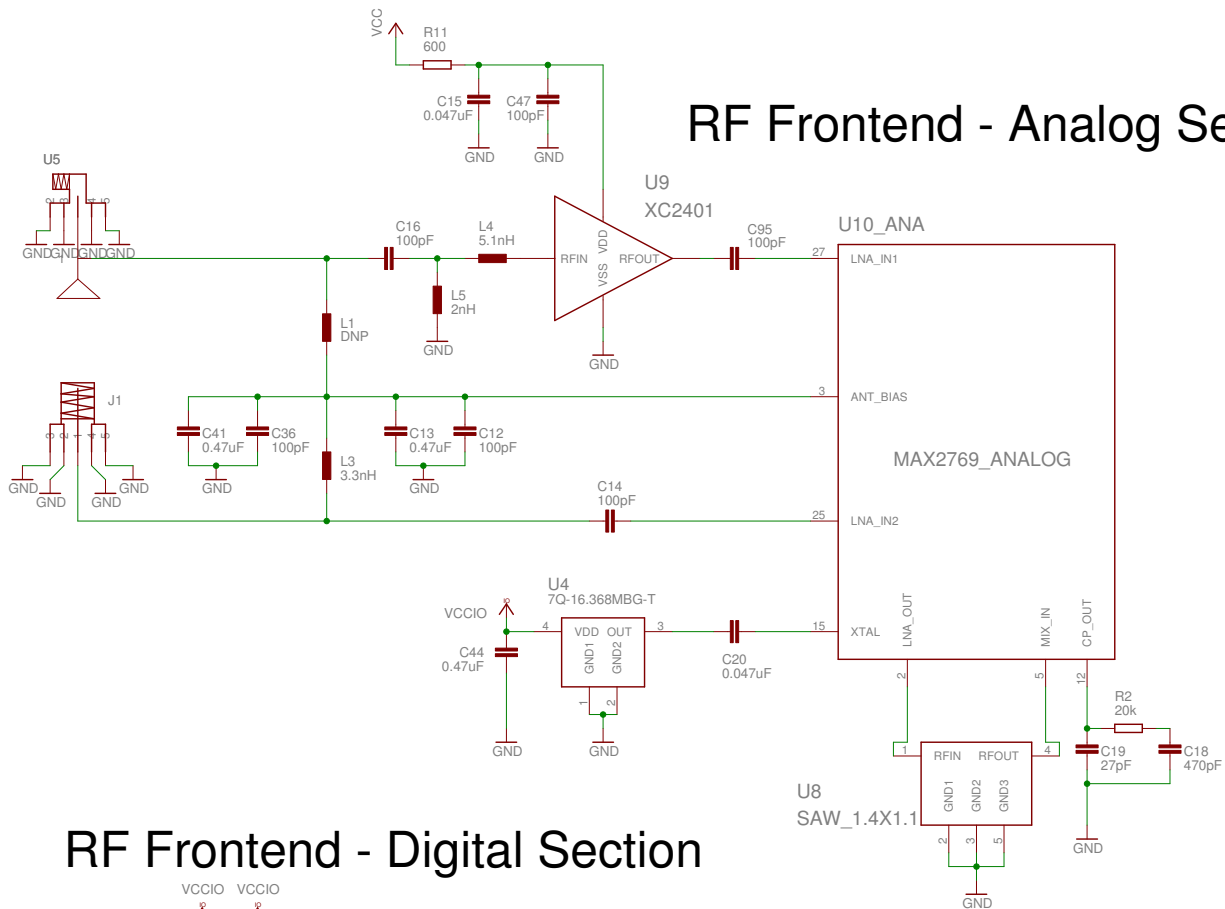
## VCCAUX Pins



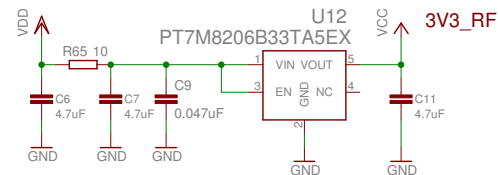
## VCCINT Pins



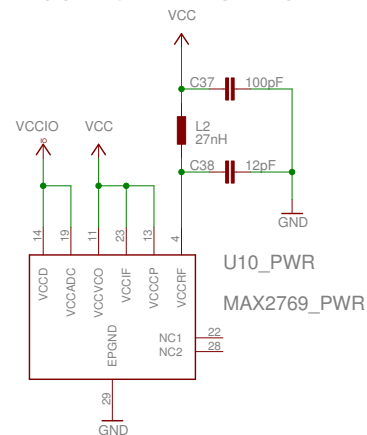
# RF Frontend - Analog Section



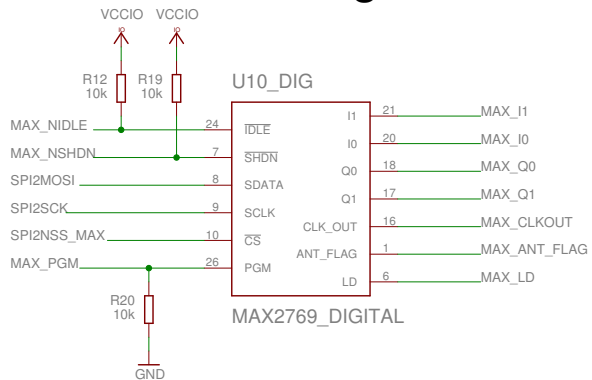
# RF LDO Regulator



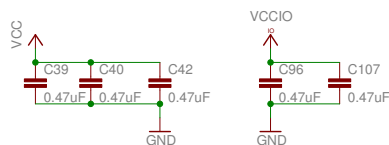
# RF Frontend - Power Pins



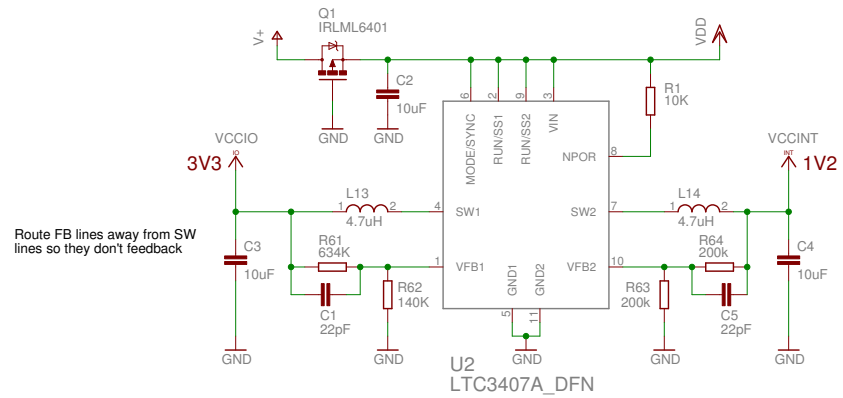
# RF Frontend - Digital Section



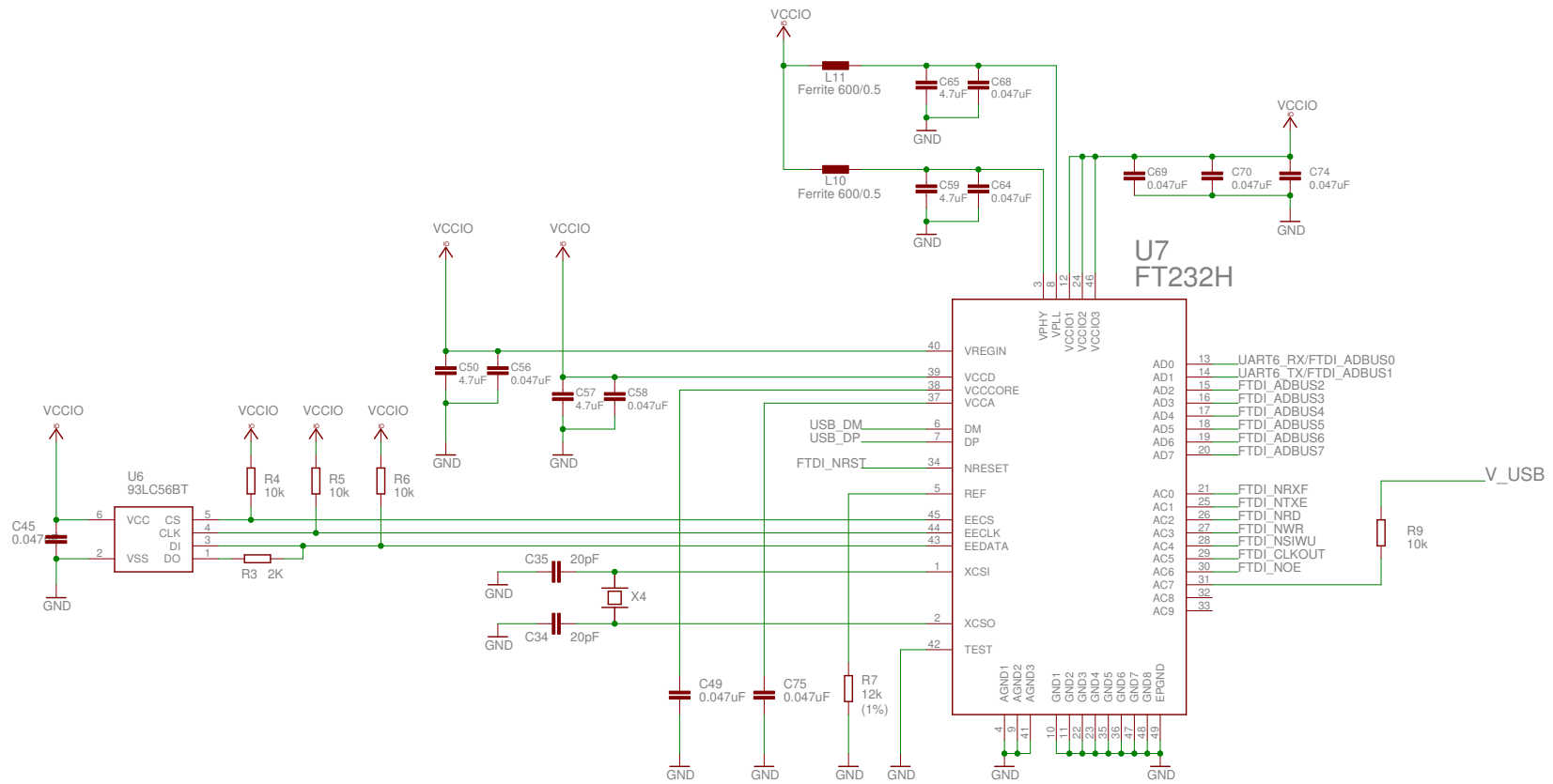
# RF Frontend Power Bypassing



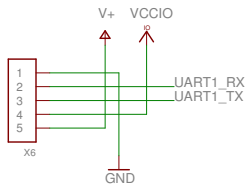
# Digital 3V3 / 1V2 Power Rails



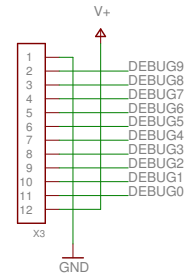
# FT232H UART/FIFO to USB



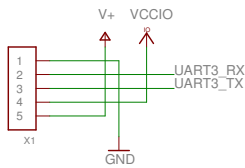
### UART1



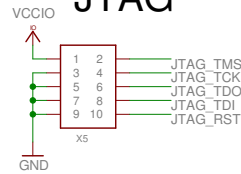
### FPGA DEBUG



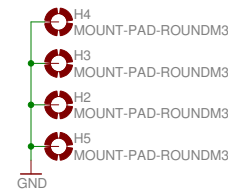
### UART3



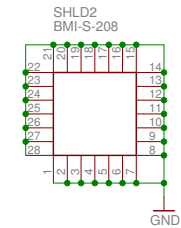
### JTAG



### Mounting Holes



### RF shield



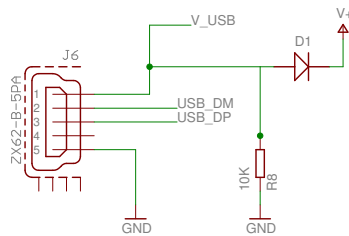
### Fiducials



### Logo



### USB



### JTAG chain (for reference)

