

GGM CCKITAHD

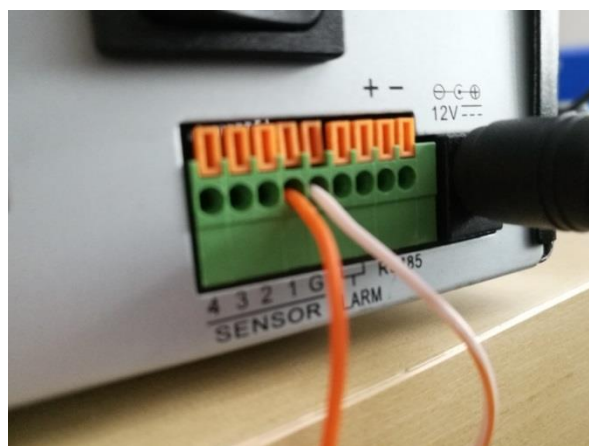
How to use Input Alarm contacts ?



Valid for those references :

- GGM CCKITAHD
- GGM CCKITAHD4
- GGM CCKITAHD8
- GGM CCEL2KITAHD4
- GGM CCKITAHD 1080P
- GGM CCAHDXX
- GGM CCELXX

You can use **Input Alarm** (Passive Alarm) from the rear Panel and create the scenarios you want.



Example : Using Input 1 Alarm (Sensor 1 & G)

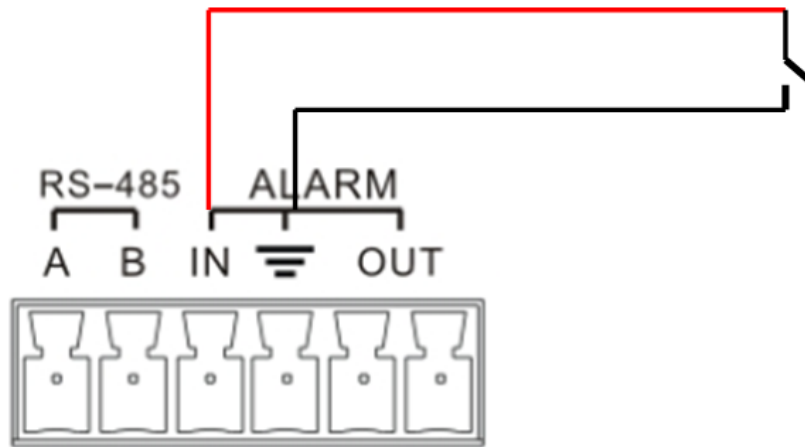
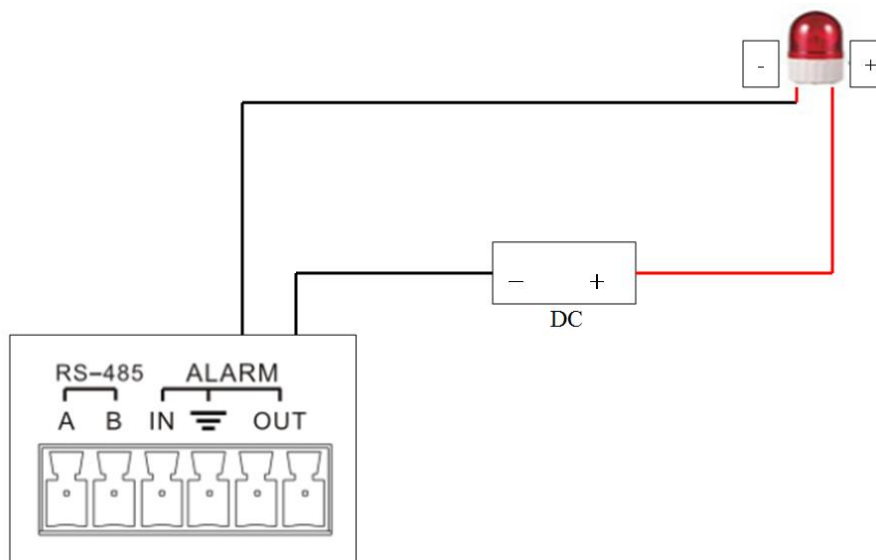


Schéma de principe

Example 1: You want to use Input 1 Alarm and trigger recording Channel 1 only when alarm is normally close

Example 2: You want to activate a siren with the output Alarm of the recorder as soon as motion detection is active on a camera.



Power Limit MAX DC12V 300mA

Go to **Main Menu**, then **Parameter** then **Alarm** and **Alarm**



- 1- Choose the Channel you want (IO-1 means Input Alarm 1, IO-2 means Input Alarm 2...)
- 2- Choose IO Status : **Normally Open** or **Normally Close**
- 3- Latch Time : Choose the activation time of the Input contact
- 4- Actions: You can decide to activate one or more actions such as Alarm Output, recording Channels, Full Screen or send Email...