

AQUARIUM INTERNAL FILTER WITH UV 700IF+



- 700 Litres per Hour
- Fully Submersible Filtration Pump
- 9w UV Sterilisation
- Low Noise High Output
- Tanks up to 150L
- Includes Venturi Pipe for increased tank oxygen levels

ELECTRIC

The pump comes complete with a generous supply of 3 core cable, however, should any additional cable be required then the use of an approved waterproof cable connector is essential.

- The power supply must be earthed and fused at 3amps
- Regularly inspect the cable for damage and deterioration
- Consult a qualified electrician if in doubt about any aspects of wiring

SPECIFICATIONS

MODEL	700IF+
VOLTAGE	220V-240V
FREQUENCY	50Hz
TOTAL POWER	20W
UV-C LAMP	9W
CAPACITY	150L
THROUGH FLOW	700L/h
DIMENSIONS LxWxH	76x90x290mm

WARRANTY

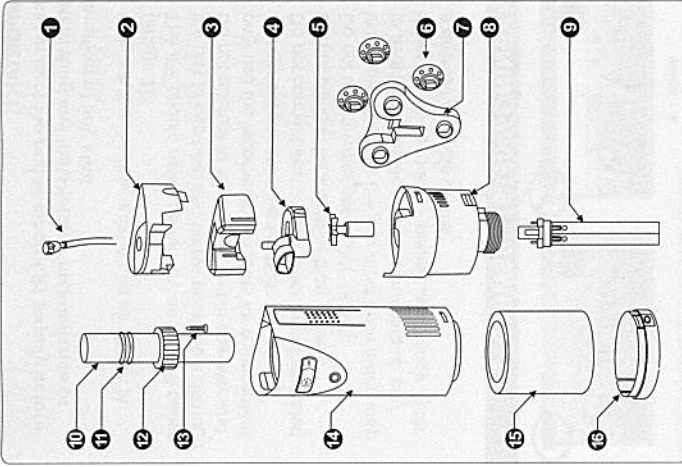
The IF+ comes complete with a 12 Months Warranty that covers any electrical fault with this item.

The Included 9w UV bulb, Quartz glass and Impeller will not be covered under your 12 months warranty.

If you do encounter any issues with this item please consult your supplier.

www.allpondsolutions.co.uk

PARTS DIAGRAM



- | | |
|----------------------|---------------------|
| 1 VENTURI OUTLET | 9 UV BULB |
| 2 TOP COVER | 10 QUARTZ TUBE |
| 3 MEDIA BASKET | 11 O-RING |
| 4 ADJUSTABLE OUTLET | 12 QUARTZ SCREW NUT |
| 5 IMPELLER AND SHAFT | 13 SCREW |
| 6 SUCTION CUPS | 14 FILTER BODY |
| 7 BACK PLATE | 15 FILTER FOAM |
| 8 MOTOR | 16 BODY COVER |

CONTENTS

- 1 700IF+ Unit x 1
- 2 Back Plate x 1
- 3 Venturi Pipe with adjustable outlet x 1
- 4 Suction Cups x 3

INSTALLATION

- 1 Remove all parts from the box to check all parts are present
 - 2 Before installation check that the UV bulb inside the IF+ is installed correctly
 - Remove the Body by squeezing both pressure points on the side of the body and pulling the motor and body apart
 - Visually check that the UV bulb is inserted still and has not been knocked out of its connection point. If the bulb has been knocked free unscrew the screw and twist the screw nut counter clockwise to release the quartz (Leave the clear O-ring located underneath the quartz glass in place)
 - Re-insert the UV bulb
 - Replace the quartz glass ensuring the clear o-ring at the quartz base is present
 - Reattach the screw nut and screw, replace the IF+ body
 - 3 Attach the Suction Cups to the Base Plate, attach the base plate to the back of the IF+
 - 4 Attach the Venturi Outlet to the top of the unit
 - 5 Place the IF+ inside your fish tank with the suction cups against the glass in your preferred location
- Please Note:** Ensure this location allows the IF+ to be fully submerged at all times
- 6 Turn the UV on by sliding the front On / Off switch to the left
 - 7 Position the Venturi Outlet above water level, to allow air through the Venturi Outlet Valve
 - 8 Plug the IF+ into the mains ensuring that you leave a drip loop in the cable to avoid condensation running down the power cable towards your mains power socket (see image 2)

MAINTENANCE

Decide on how regularly you would like to maintain the IF+ filter, dependant on your water volume and how many fish you are keeping. The best time to clean your filter is when completing a 10% water change, as you can use the aquarium water you are discarding to clean all of the parts of the IF+ filter.

When cleaning the IF+, you should wash the following parts using the water from your aquarium:

- 1 IF+ Impeller (part 5)
- 2 Adjustable Outlet (part 4)
- 3 Filter foam, filter body and body cover (parts 14, 15 and 16)
- 4 Media provided in media basket (part 3)

To replace the UV light tube

Please Note the UV bulb should be replaced every 6 months even if the light is still showing, doing this will ensure the UV operates effectively at all times.

Check that your UV Light Tube is working at any time by visually checking the UV light indicator on the front of the 700IF+. This will light up blue if the UV Light Tube is working.

- 1 Unplug the IF+ at the mains and remove the plug from the socket
- 2 Remove the IF+ from the aquarium
- 3 Remove the Body by squeezing both pressure points on the side of the body and pulling the motor and body apart
- 4 Unscrew the screw and twist the screw nut counter clockwise to release the quartz (Leave the clear O-ring located underneath the quartz glass in place)
- 5 Remove the old UV bulb and replace with a new UV bulb
- 6 Replace the quartz glass ensuring the clear o-ring at the quartz base is present
- 7 Reattach the screw nut and screw, replace the 700IF+ body

SAFETY

IMPORTANT!

Disconnect the mains electricity supply before attempting any installation / maintenance or handling of any kind.

- Only run the IF+ fully submerged as shown in (image 1)
- The IF+ should never be run dry as this will cause the unit to overheat and cause permanent damage
- Do not attempt to modify this unit in any way and only use the recommended parts for replacement
- All connections must be earthed
- Do not connect any voltage other than that stated
- Do not place in liquids other than water
- When installing the IF+ you must have a drip loop to avoid condensation build up running up and down the power cable – please see (image 2) for a detailed example of this

WARNING MUST BE SUBMERGED



IMAGE 1 ▲

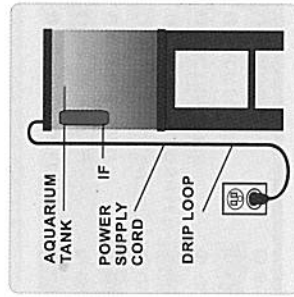


IMAGE 2 ▶