

ELECTRIC

Pump includes a generous supply of 3-core cable. However, should any additional cable be required it is essential to use an approved waterproof connector.

- Power supply must be earthed and fused at 3 amps.
- Regularly inspect cable for damage and deterioration
- Consult a qualified electrician if in doubt about wiring

SAFETY

IMPORTANT! Disconnect mains electricity supply before attempting installation, maintenance or handling of any kind.

- Only operate CIF when fully submerged as shown in *image 1*
- To avoid overheating risk and permanent damage do not allow unit to operate when dry
- Do not attempt to modify this unit and use only approved replacement parts
- All connections must be earthed
- Do not connect to any voltage other than recommended
- Not suitable for use in liquids other than water
- Not recommended for use in water temperatures exceeding 90°F / 30°C
- When installing, ensure that a 'drip loop' is in place to avoid condensation running along power cable - See *image 2* for details.

IMAGE 1

WARNING MUST BE SUBMERGED

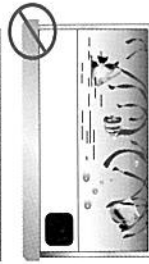
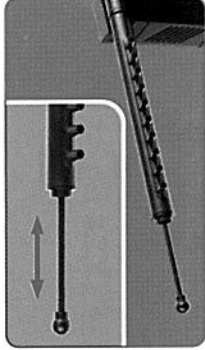


IMAGE 2

FEATURES CIF-250 and CIF450

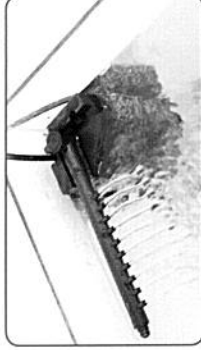


- Controllable water flow

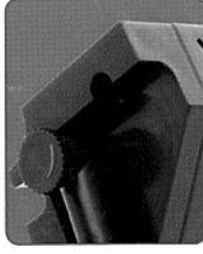


- Includes pipe cleaner for spray bar maintenance

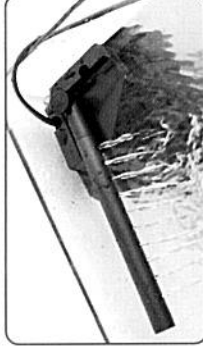
- 90° design for tank corner use



FEATURES CIF-650



- Controllable water flow

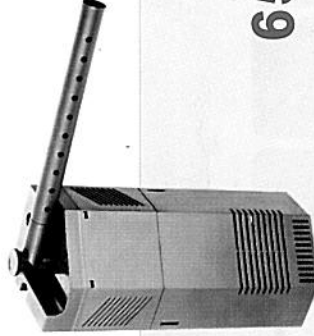
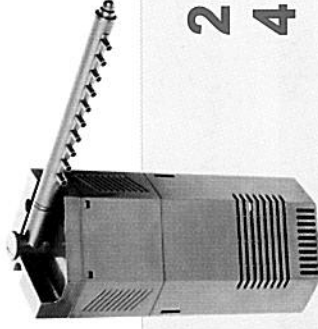


- 90° design for tank corner use

WARRANTY

Your CIF filter comes complete with a 12 month warranty.

If you do encounter any issues with this item please consult your supplier.



Thanks for purchasing your All Pond Solutions CIF filter system.

INSTALLATION

The CIF Filter System is designed for use with the Spray Bar supplied. Insert spray bar into the adaptor at top of unit as shown, and the CIF is now ready for installation."

This unit is recommended for positioning in the corner of your aquarium and is designed to fit perfectly into this space. Please ensure CIF is fully submerged at all times.

MAINTENANCE

Correct maintenance of this filter depends entirely on the volume of water and number of fish kept.

Please consult a local aquarist for a recommended schedule.

We recommend cleaning the CIF when completing a scheduled water change, using the discarded aquarium water to clean the following parts of the unit:

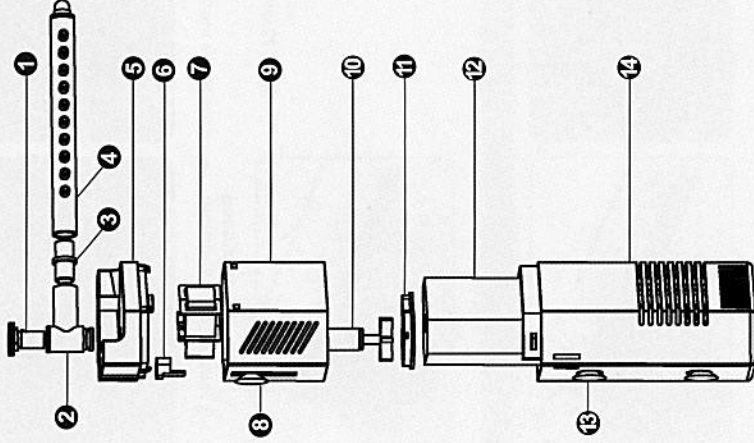
- ① Impeller (part 10)
- ② Spray Bar (parts 3 and 4)
- ③ Filter Foam and Casing (parts 12 and 14)

SPECIFICATIONS

MODEL	250-CIF	450-CIF	650-CIF
VOLTAGE	220-240V/50Hz		
POWER	3W	5W	7W
H-MAX	0.5m	0.8m	1.2m
OUTPUT	250L/h	450L/h	650L/h
WEIGHT	0.35g	0.45g	0.6g
SIZE	83x50x185mm	90x55x205mm	105x67x225mm



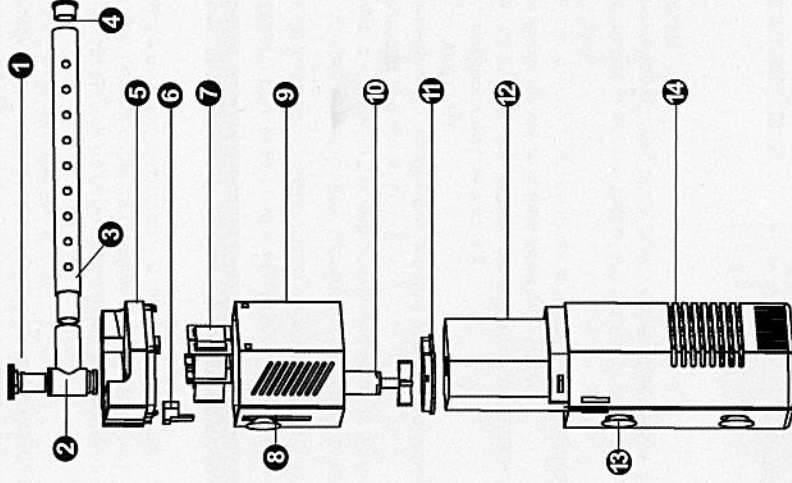
CIF-250 and CIF-450



PARTS DIAGRAM

①	FLOW RATE CONTROLLER	⑧	SUCTION PADS
②	T CONNECTOR	⑨	MOTOR BODY
③	ADAPTER	⑩	IMPELLER
④	SPRAY BAR	⑪	IMPELLER COVER
⑤	MOTOR COVER	⑫	FILTER FOAM
⑥	PLUG	⑬	SUCTION PADS
⑦	MOTOR	⑭	FILTER COVER

CIF-650



PARTS DIAGRAM

①	FLOW RATE CONTROLLER	⑧	SUCTION PADS
②	T CONNECTOR	⑨	MOTOR BODY
③	ADAPTER	⑩	IMPELLER
④	SPRAY BAR	⑪	IMPELLER COVER
⑤	MOTOR COVER	⑫	FILTER FOAM
⑥	PLUG	⑬	SUCTION PADS
⑦	MOTOR	⑭	FILTER COVER