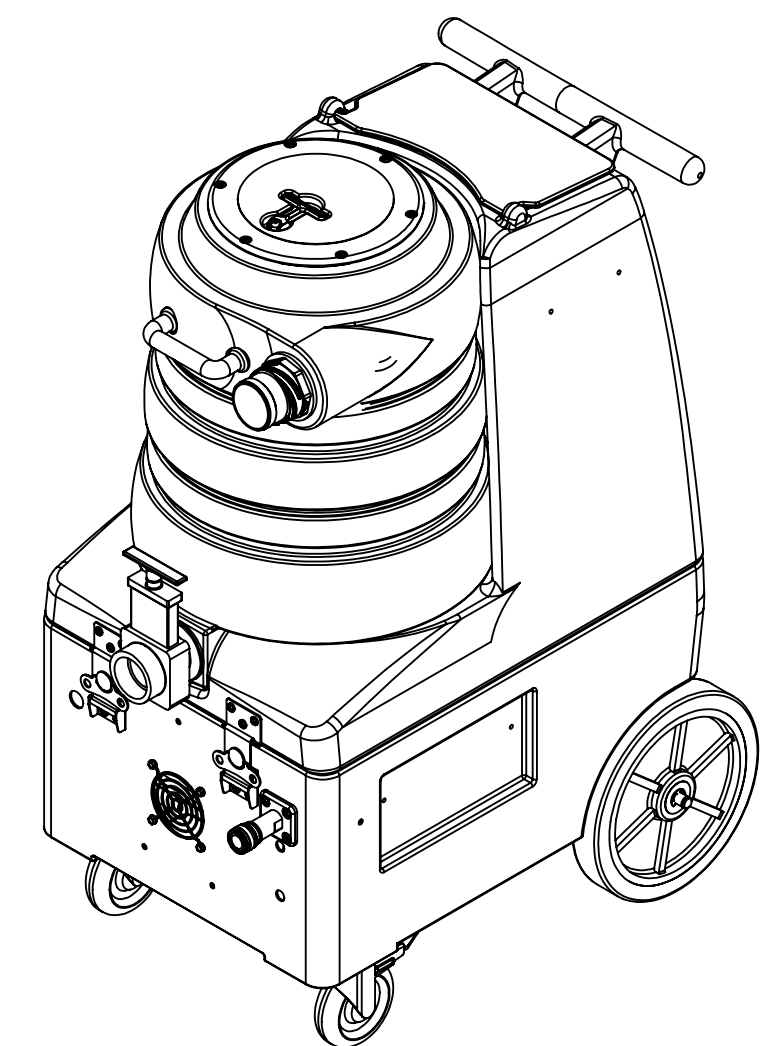


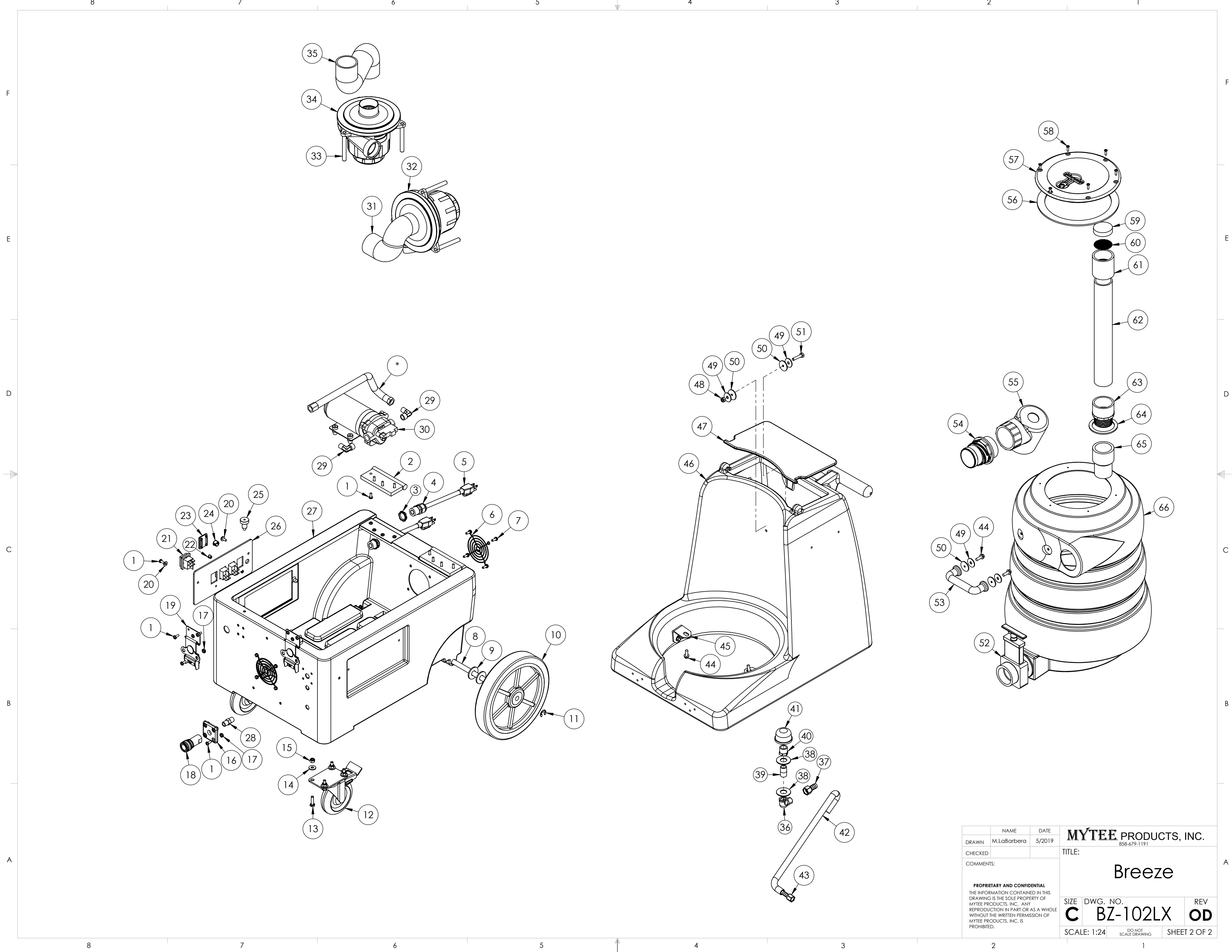
ITEM NO.	PART NO.	DESCRIPTION	QTY.
1	H230	screw, 10-32 x 1/2" phil pan head, s/s	36
2	H487	bracket, hinge	2
3	H221	nut, lock, 1/2" steel, electrical	2
4	H220	fitting, strain relief, cord	2
5	E550	power cord, male end, blue lit, 25', 12/3, sjtw solid jacket	2
6	H296	guard, cooling fan, wire	2
7	H343	screw, #10 x 5/8" hex head zinc	8
8	H371	axle, 18.03" x .50" dia	1
9	H254	washer, axle, cut 1/2" id	4
10	H392	wheel, 10"	2
11	H042	c-clip, 12mm, external	2
12	H668	caster, 4", black hub & gray tread	2
13	H342	bolt, 1/4-20 x 1" hex head, s/s	8
14	H210	washer, 1/4" flat, s/s	8
15	H216	nut, lock, 1/4-20, nylon insert, s/s	8
16	H484	plate, mounting, QD	1
17	H273	nut, kep, #10-32 zinc	12
18	B102	qd, brass, 1/4" f x 1/4" fpt	1
19	H486	latch, front, set, large	2
20	H289	washer, 10 flat, s/s	2
21	E515	switch, rocker, 2 position	3
22	H422	plug, dome 3/8", black	2
23	P967A	plug, switch	1
24	H434	plug, vent, heyco, 1/2"	1
25	G068	bumper, 7/8" x 1/4" head	2
26	H641-DIY	plate, switch	1
27	P696	base, breeze	1
28	B107	nipple, brass, 1/4"m, hex	1
29	B652	elbow, brass, 90 deg, 3/8"mpt x 1/4"mpt	2
30	C322	pump, 200psi, piston 115V	1
31	PH628-10	vac hose, 2", black, wire reinforced	1
32	C347	vac motor, lx, hybrid, 173 cfm, 120v	1
33	H503	vac support, 3 stage, 3.25", no thrds	6
34	C348	vac motor, lx, hybrid, w/inlet tube, 173 cfm, 120v	1
35	PH628-10	vac hose, 2", black, wire reinforced	1
36	B186	elbow, 90 deg street, 3/8"mpt x 3/8" fmpt	1
37	B160	adapter, brass, 1/2" barb x 3/8" fsw, ball end	1
38	H299	washer, 11/16" id x 1-1/2" od x .075, s/s	2
39	B216	nipple, brass, 3/8" x close	1
40	B210	bushing, brass, 1/2"mpt x 3/8" fpt, hex	1
41	B119A	filter, strainer, 1/2" fpt	1
42	PH615	sol hose, 1/2" kuri 100psi	1
43	B235	adapter, brass, 3/8" barb x 1/4" fsw	1
44	H768	bolt, 1/4-20 x 3/4" serrated hex flange, zinc	6
45	H390A	bracket, "L", 2" x 2"	2
46	P697	sol tank, breeze	1
47	G062	lid, sol tank	1
48	H215	nut, hex, 1/4-20 s/s	1
49	H211	washer, 1/4" id x 1" od, flat, s/s	4
50	G052	washer, buna 1-1/8" od x 3/16" id	4
51	H203	bolt, 1/4-20 x 1-1/4"	1
52	H225	valve, drain, 1-1/2"	1
53	H485	handle, aluminum grip, black	1
54	H135	Cuff-Lynx, 2" m cuff x 2" mpt	1
55	A926	elbow, inlet assembly 2"	1
56	G091	gasket, 7", vac lid	1
57	G090	lid, vac tank, clear, 7"	1
58	H304	screw, #8 x 5/8 phil oval, s/s	6
59	G003	filter, foam, 2", vac stack, 1/2"	1
60	G097	filter, screen mesh, 1.90" dia	1
61	P502	adapter, 1.5" pvc, fslip x fslip	1
62	PH633-13	pipe, pvc, 1-1/2"	1

ITEM NO.	PART NO.	DESCRIPTION	QTY.
63	P520	adapter, 1.5" mpt pvc	1
64	G002	gasket, cam fitting polyethylene, 2.35" OD 1.90" ID	1
65	H300	cuff, hose, 1-1/2 x 1-1/2, wire	1
66	P698	vac tank, breeze	1

REVISIONS			
REV.	DESCRIPTION	DATE	APPROVED
OD	ORIGINAL DRAFT		JFL



NAME	DATE	<b>MYTEE PRODUCTS, INC.</b> 858-679-1191	
DRAWN M.LaBarbera	5/2019	TITLE: <b>Breeze</b>	
CHECKED		SIZE DWG. NO.	REV
COMMENTS:		<b>C BZ-102LXH</b>	<b>OD</b>
<small>PROPRIETARY AND CONFIDENTIAL THE INFORMATION CONTAINED IN THIS DRAWING IS THE SOLE PROPERTY OF MYTEE PRODUCTS, INC. ANY REPRODUCTION IN PART OR AS A WHOLE WITHOUT THE WRITTEN PERMISSION OF MYTEE PRODUCTS, INC. IS PROHIBITED.</small>		SCALE: 1:24	DO NOT SCALE DRAWING SHEET 1 OF 2



	NAME	DATE	<b>MYTEE PRODUCTS, INC.</b> 858-679-1191	
DRAWN	M.LaBarbera	5/2019	TITLE:	
CHECKED			<b>Breeze</b>	
COMMENTS:				
<small>PROPRIETARY AND CONFIDENTIAL THE INFORMATION CONTAINED IN THIS DRAWING IS THE SOLE PROPERTY OF MYTEE PRODUCTS, INC. ANY REPRODUCTION IN PART OR AS A WHOLE WITHOUT THE WRITTEN PERMISSION OF MYTEE PRODUCTS, INC. IS PROHIBITED.</small>			SIZE	DWG. NO.
			<b>C</b>	<b>BZ-102LX</b>
			SCALE: 1:24	DO NOT SCALE DRAWING
			SHEET 2 OF 2	REV <b>OD</b>