

# TECHNICAL SUPPORT

## FOCUS™ VAPOR STEAMER

### Installing New Check Valve and In-Line Solution Hose on Kettle Plumbing

Labor hours allowed: 15 mins.

Applies to 1500 Focus™ units with a serial number below 02170000.

If machine is leaking when pumping water into the kettle, open the unit and check to see if one of the two white hoses that leads from the pump to the kettle is leaking. If hose is indeed leaking, follow the steps outlined below to replace the two hoses with one single hose, as well as replace and relocate the check valve.

#### Parts You Will Need from Mytee®:

1. AH120 Solution Hose, 1/4", blue
2. B108 Check Valve, 1/4"

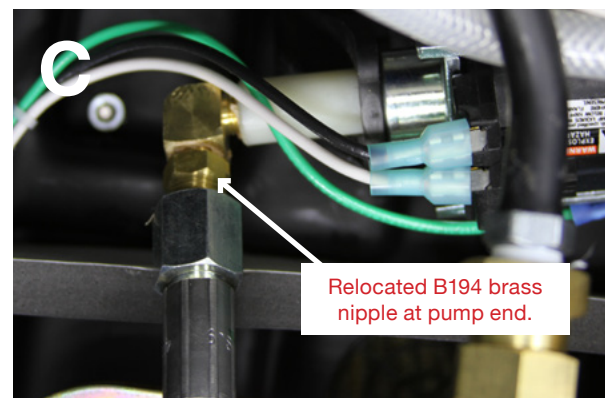
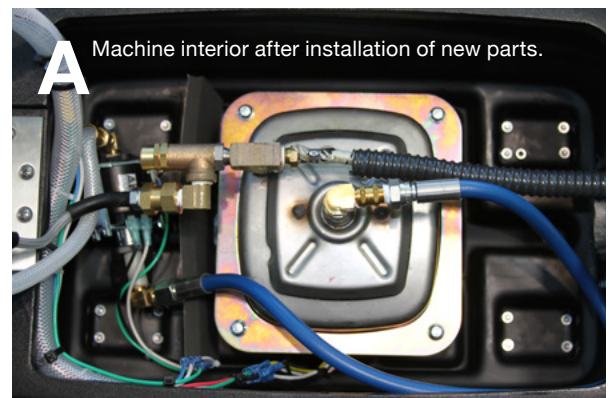
#### Instructions:

**Step 1:** Remove the following parts from the unit. Refer to the schematic/parts list on Pages 2 and 3 for reference.

- B194- Set aside for later use. (Reference #9)
- B217 (Reference #56)
- B153 (Reference #49)
- A935 (Reference #2)
- B248 (Reference #1)
- Secondary A935 (Reference #2)

**Step 2:** Install the following parts. Use **Image A** as a reference for positioning the parts in the unit.

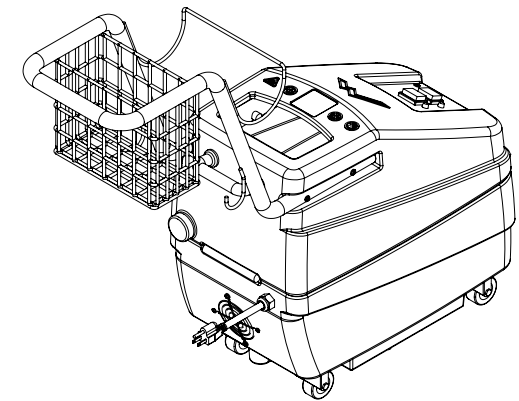
- AH120 Solution Hose, 1/4", blue
- B108 Check Valve, 1/4"
- B194- Re-use brass nipple removed in Step 1.



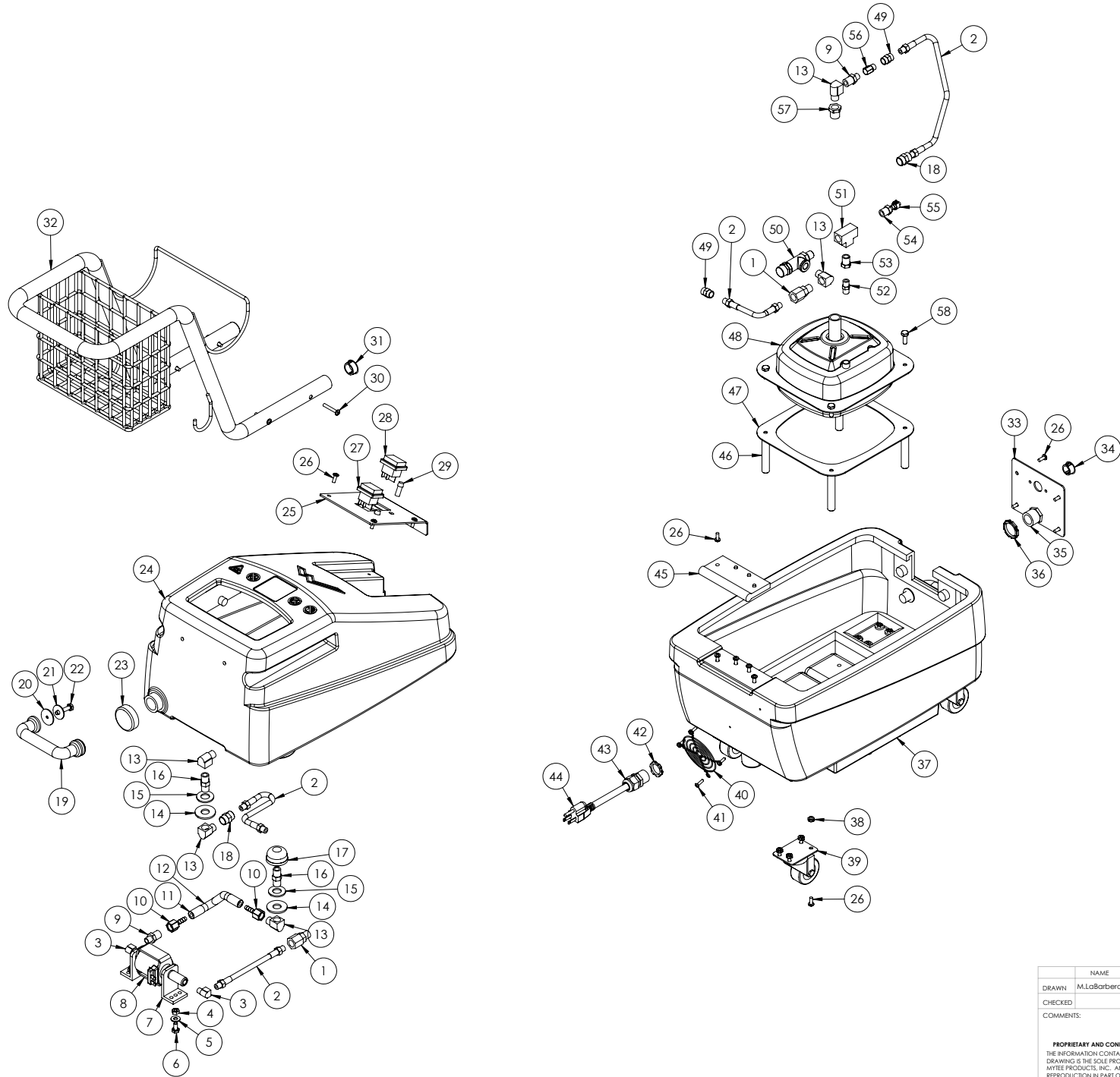
ITEM NO.	PART NO.	DESCRIPTION	QTY.	MSRP
1	B248	swivel, 1/4" mpt x 1/4" fpt	2	\$17.99 ea
2	A935	sol hose, pigtail, 1/8 x 5 1/2"	4	\$14.99 ea
3	B143	street elbow, 90 degrees, 1/8"	2	\$2.99 ea
4	H216	nut, lock, 1/4-20, nylon insert, s/s	2	\$0.99 ea
5	H210	washer, 1/4" flat, s/s	2	\$0.99 ea
6	H201	bolt, 1/4-20 x 1/2" hex head, zinc	2	\$0.99 ea
7	H250	bracket, set 55 psi pump	2	\$4.99 ea
8	C378	pump, 55psi, 115V flojet	1	\$41.99 ea
9	B194	nipple, hex, 1/4" mpt x 1/8" mpt	2	\$7.99 ea
10	B110	adapter, brass, 1/4" sw barb x 1/4" fpt, w/gasket	2	\$3.99 ea
11	B170	ferrule, 1/4" brass	2	\$0.99 ea
12	PH634-11	sol hose, 1/4", silicone braided, clear	1	\$6.99 ft
13	B103	elbow, brass, 90 deg, 1/4"mpt x 1/4" fpt	5	\$4.49 ea
14	H254	washer, axle, cut 1/2" id	2	\$0.99 ea
15	H212	flat washer, 9/16"ID x 1 1/16"OD, AN960-C916	2	\$0.99 ea
16	B107	nipple, brass, 1/4"m, hex	2	\$3.19 ea
17	B119	filter, strainer, 1/4"	1	\$3.99 ea
18	B142A	coupling, brass, 1/4" fpt x 1/4" fpt	2	\$4.49 ea
19	H485	handle, aluminim grip, black	2	\$6.99 ea
20	G052	washer, buna 1-1/8" od x 3/16" id	2	\$1.99 ea
21	H211	washer, 1/4" id x 1" od, flat, s/s	4	\$0.99 ea
22	H203	bolt, 1/4-20 x 1-1/4" hex head, s/s	4	\$0.99 ea
23	H846B	cap, gallon jug, 1-5/8"	1	\$0.99 ea
24	P743	solution tank, steamer	1	\$65.99 ea
25	H380	switch plate	1	\$25.99 ea
26	H230	screw, 10-32 x 1/2" phil pan head, s/s	32	\$0.99 ea
27	E517	switch, rocker, monetary	1	\$15.99 ea
28	E515	switch, rocker, 2 position	1	\$13.99 ea
29	E511	light, red, 250v	2	\$5.99 ea
30	H222	screw, 10-32 x 1-1/4" phil pan head, s/s	4	\$0.99 ea
31	H423	plug, 7/8", black, heyco	2	\$0.99 ea
32	H688-A	handle, MyteeLite	1	\$65.99 ea
33	H381	front plate	1	\$19.99 ea
34	H147	plug, 3/4", black, heyco	1	\$0.99 ea
35	H172	fitting, strain relief, cord	1	\$3.19 ea
36	H283	nut, lock, 1" steel, electrical	1	\$3.99 ea
37	P742	base, steamer	1	\$55.99 ea
38	H273	nut, kep, #10-32 zinc	16	\$0.99 ea
39	H681	caster, 2", black hub, gray tread	4	\$8.99 ea
40	H296	guard, cooling fan, wire	3	\$2.99 ea
41	H304	screw, #8 x 5/8 phil oval, s/s	12	\$0.99 ea
42	H221	nut, lock, 1/2" steel	1	\$1.99 ea
43	H220	fitting, strain relief, cord	1	\$3.19 ea
44	E531	power cord, end, 25', 12/3 black	1	\$52.99 ea
45	H487	bracket, hinge	1	\$4.49 ea
46	H500	vac support, 2 stage, 3-1/8"	4	\$3.99 ea
47	H383	plate, pot	2	\$25.99 ea
48	H271	tank, steamer, w\heating plate	1	\$120.99 ea
49	B153	coupling, 1/8" npt, light pattern	2	\$5.49 ea
50	B200	valve, brass, relief, 175 psi	1	\$69.99 ea
51	B113	tee, brass, 1/4" fpt	1	\$6.99 ea
52	B129	nipple, hex, 1/8" mpt x 1/8" mpt	1	\$1.99 ea
53	B104	bushing, brass, 1/4" mpt x 1/8" f	1	\$1.99 ea
54	B109	adapter, brass, 1/4" barb x 1/4" mpt	1	\$1.99 ea
55	H324	clamp, pinch	1	\$2.99 ea
56	B217	check valve, 1/8" mpt x 1/8" fpt, 5 PSI	1	\$8.99 ea
57	B105	bushing, brass, 3/8"mpt x 1/4"	1	\$3.19 ea
58	H202	bolt, 1/4-20 x 3/4" hex head, s/s	4	\$0.99 ea

**ITEMS NOT SHOWN**

PART NO.	DESCRIPTION	QTY	MSRP
E342	harness, electrical, 1500	1	\$39.99 ea
G086	gasket, u channel, 3/16 x 3/4 x 15/32	1	\$9.99 ea
VS01	steam gun w\hose, vapor steamer cleaner	1	\$29.99 ea
VS03	2 in 1 steam attachment	1	\$12.99 ea
VS04	small nylon brush	3	\$5.99 ea
VS05	large nylon brush	3	\$6.99 ea
VS06	detail nozzle	1	\$4.99 ea
VS07	jet nozzle attachment	3	\$4.99 ea
VS10	accessory adapter	1	\$4.99 ea
VS12	cotton cover	3	\$4.99 ea
VS15	metal brush	3	\$12.99 ea
VS16	gum scraper tool	3	\$5.99 ea



NAME	DATE	<b>MYTEE PRODUCTS, INC.</b>	
DRAWN: M.LoBarbera	9/2015	858-679-1191	
CHECKED		TITLE:	
COMMENTS:		<b>Vapor Steamer</b>	
<small>PROPRIETARY AND CONFIDENTIAL THE INFORMATION CONTAINED IN THIS DRAWING IS THE SOLE PROPERTY OF MYTEE PRODUCTS, INC. ANY REPRODUCTION IN PART OR AS A WHOLE WITHOUT THE WRITTEN PERMISSION OF MYTEE PRODUCTS, INC. IS PROHIBITED.</small>			
SIZE	DWG. NO.	REV	
<b>C</b>	<b>1500</b>	<b>OD</b>	
SCALE: 1:24	DO NOT SCALE DRAWING	SHEET 1 OF 2	



	NAME	DATE	<b>MYTEE PRODUCTS, INC.</b> 888-673-1191	
DRAWN	M.LaBarbera	9/2015	TITLE: <b>Vapor Steamer</b>	
CHECKED			SIZE	DWG. NO.
COMMENTS:			<b>C</b>	<b>1500</b>
<small>PROPRIETARY AND CONFIDENTIAL THE INFORMATION CONTAINED IN THIS DRAWING IS THE SOLE PROPERTY OF MYTEE PRODUCTS, INC. ANY REPRODUCTION IN PART OR AS A WHOLE WITHOUT THE WRITTEN PERMISSION OF MYTEE PRODUCTS, INC. IS PROHIBITED.</small>			REV	<b>0D</b>
SCALE: 1:24			DO NOT SCALE DRAWING	SHEET 2 OF 2