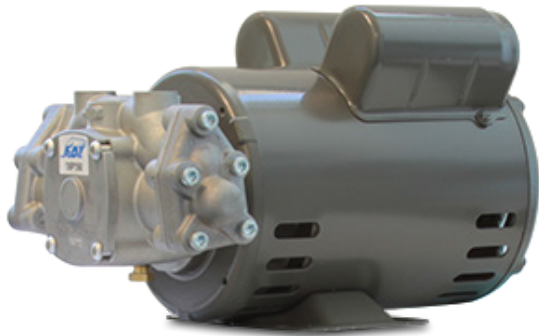


# TECHNICAL SUPPORT

## AUSTRALIAN CAT PISTON PUMPS

### Cat Pump

Part # **C313AUS**



<b>Specs</b>	
<b>Part Number</b>	<b>C313AUS</b>
<b>GPM</b>	1.5
<b>Max. PSI</b>	350
<b>Voltage</b>	230V
<b>Motor HP</b>	0.5
<b>Motor RPM</b>	1,750
<b>Motor Amp Draw</b>	4 amps @ 230V
<b>Used in</b>	LTD-AUS

### Regulators/Unloaders

**C313C**



**Regulator**  
450 PSI  
Used in: LTD-AUS

# Cat Pump Troubleshooting

Problem:	Possible Causes:	Solutions:
Low pressure.	Worn nozzle.	Replace with proper size nozzle.
	Worn seals.	Install new seal kit. Increase frequency of service.
	Air leak in inlet plumbing.	Tighten fittings and hoses. Use PTFE liquid or tape.
	Worn or dirty inlet / discharge valve.	Clean inlet / discharge valves or install new valve kit.
Water leak at head cover.	Worn or pinched o-ring on head cover.	Install new seal kit. Increase frequency of service.
Water leak at bearing cover.	Worn or pinched o-ring on bearing cover.	Install new seal kit. Increase frequency of service.
Premature seal failure.	Running dry, scored plungers, abrasives, contamination.	Replace seals.
Scored plunger.	Abrasives, contamination.	Replace plunger.
Motor stalls or will not start.	Brushes worn.	Replace with brush repair kit.

## Cat Pump Manual

For more information on this Cat Pump, including disassembly and assembly instructions, exploded view, and maintenance information, please refer to the Cat Pump manual which can be found here:

[http://www.catpumps.com/products/pdfs/1XP\\_Series\\_D.pdf](http://www.catpumps.com/products/pdfs/1XP_Series_D.pdf)



Scan QR code to see the Cat Pump Manual.

This pump is model **1XP200.051** and uses cam number 7.

*Repair kit information can be found on page 9 of the Cat Pump manual, item numbers 28-32. To order these parts, contact Cat Pumps or nearest Cat Pumps distributor.*

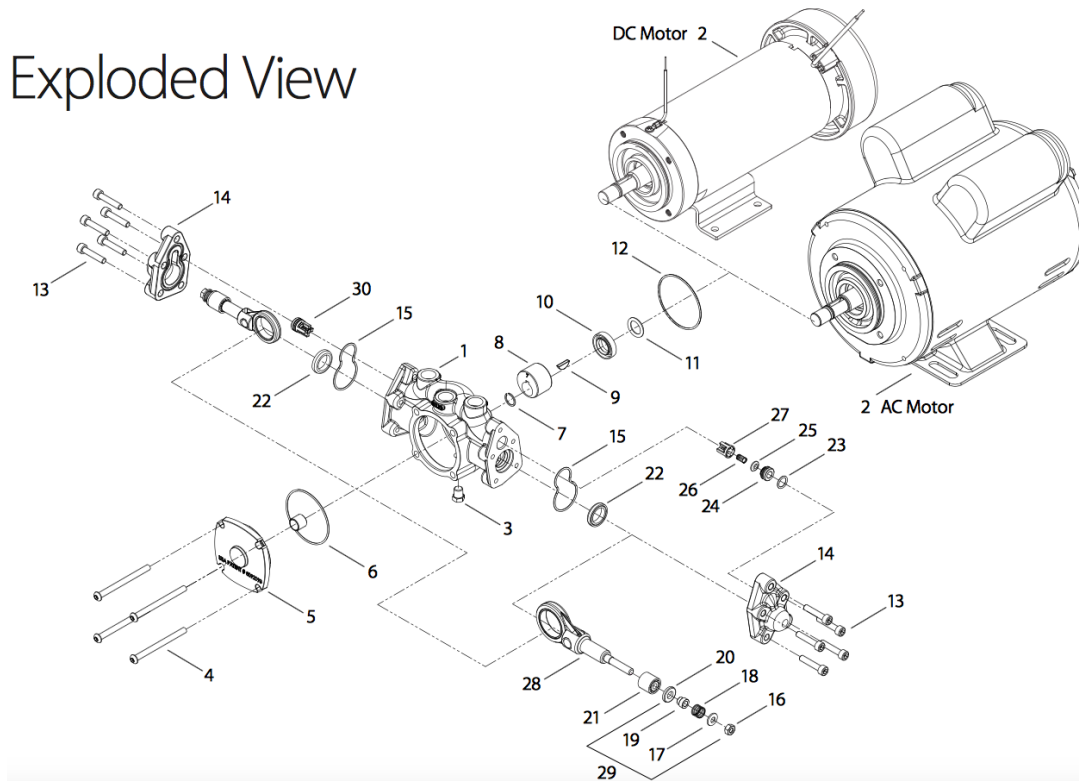
**Mytee does not stock these parts.**

# Exploded Views

## Cat Pumps

Parts listed below can be purchased through Cat Pump or one of their distributors.

**Mytee does not stock these parts.**



Item No.	Part Number	Material	Description	Qty
1	76801	AL	Crankcase	1
2	8133	-	Motor, 1/3 HP (AC)	1
	8135	-	Motor, 1/2 HP (AC)	1
	8137	-	Motor, 3/4 HP (AC)	1
	8136	-	Motor, 1/3 HP (DC)	1
	3	31527	BB	Plug (1/8"- 27NPT)
4	76928	STZP	Screw, Button Head (M6 X 75)	4
5	76346	AL	Cover, Bearing	1
6	31552	FPM	O-ring, Bearing Cover - 70D	1
7	76701	S	Ring, External Retaining	1
8	76520.050	SFSS	#1 Cam (0.50 gpm, 1750 rpm)	1
	76520.075	SFSS	#2 Cam (0.75 gpm, 1750 rpm)	1
	76520.085	SFSS	#3 Cam (0.85 gpm, 1750 rpm)	1
	76520.100	SFSS	#4 Cam (1.00 gpm, 1750 rpm)	1
	76520.125	SFSS	#5 Cam (1.25 gpm, 1750 rpm)	1
	76520.150	SFSS	#6 Cam (1.50 gpm, 1750 rpm)	1
	76520.200	SFSS	#7 Cam (2.00 gpm, 1750 rpm)	1
9	76025	SFSS	Key, Woodruff (#405)	1
10	76133	FPM	Seal, Shaft	1
11	31596	FPM	O-ring, Slinger - 70D	1
12	31552	FPM	O-Ring, Motor Flange	1
13	76909	STZP	Screw, (HSH) (M6 X 30) [01/14]	10
14	76420	AL	Cover, Head	2

Item No.	Part Number	Material	Description	Qty
15	31592	FPM	O-ring, Head Gasket - 70D	2
16	31577	S	Nut (M6)	2
17	31584	S	Washer, Conical (M6)	2
18	44872	S	Spring	2
19	31595	S	Spacer	2
20	76226	NY	Valve, Inlet	2
21	45429	CC	Plunger (M18 X 16)	2
22	43245	SNG	Seal, High Pressure W/Spring	2
23	35426	FPM	O-ring, Valve Seat - 90D	2
24	76576	D	Seat, Discharge Valve [01/14]	2
25	76206	S	Valve, Discharge	2
26	76865	S	Spring, Valve [06/13]	2
27	76069	PVDF	Retainer, Valve	2
28	76555	AL	Assembly, Plunger/Connecting Rod (Includes: plunger rod, connecting rod & wrist pin)	1
29	76227	NY	Kit, Inlet Valve (Includes: items 16, 17, 18, 19, 20)	1
30	76218	FPM	Assembly, Valve (Includes: items 23, 24, 25, 26, 27)	1
31	76219	FPM	Kit, Seal and O-ring (Includes: items 6, 10, 11, 12, 15, 22)	1
32	76127	-	Kit, Brush Replacement (8136)	1

AL = Aluminum, BB = Brass, CC = Ceramic, D = Acetal, FPM = Fluorocarbon, NY = Nylon, PVDF = Polyvinylidene Fluoride, S = 304 Stainless Steel, SFSS = 17-4 Stainless Steel, SNG = Special Blend (Buna), STZP = Steel/Zinc Plated, [xx/xx] = Date of Latest Production Change.