

## 1. INTRODUCTION

---

This document describes the operation of the SensorData / SensorNode devices, and how to interpret the data messages that are sent on the network. For examples and other support documentation, visit <https://support.digitalmatter.com>

The Sigfox and LoRaWAN device operation and protocols are very similar, and both handled in this document.

### 1.1. Revision History

---

Date	Version	Changes
2018-04-19	1.0	Initial release
2019-02-05	1.1	Added data fields 50 & 51, UINT12 format, and downlinks
2019-05-16	1.2	Updated downlinks 41 & 42
2019-10-10	1.3	Added version/reset message format
2019-10-21	1.4	Updated downlink 12, added downlinks 31-35 and 50
2019-10-28	1.5	Added description of digital input pulse counts

### 1.2. Message Size Implications

---

We are limited to:

- **12-byte messages on the Sigfox network.**
- **11-byte (minimum) messages on the LoRaWAN network.**

The LoRaWAN maximum message size depends on the region and spreading factor (SF). 11 bytes is the worst case (EU868 region, SF12).

Because of these constraints, this data scheme aims to pack in data as efficiently as possible into the messages.

No date / time data is sent in the messages as the receiving software should use the date / time stamp from the network.

For the LoRaWAN devices, the LoRaWAN port is used as the first byte of the message; ie, **the port is the ID of the first data field in the message, and the data for that field starts at byte 0 of the payload.**

### 1.3. No Acknowledgement

---

In addition to the size limitation, the messages are not acknowledged by the network, so the data is sent on a “best effort” basis.

The implications of this are far-reaching as data cannot be guaranteed to have been delivered. The SensorData design therefore aims to send information that will not be adversely affected by missing messages. For example, for a tipping rain gauge the SensorData will record the count of the tips and send the total tip count each time, as opposed to trying to send a message for every tip, where if one was missed then the count on the server would be wrong.

### 1.4. Multi-part Data Avoided

---

As far as possible this data scheme avoids sending related data over more than one message due to the complexity of re-assembly on the server side and transmission limitations. Data fields are always contained within a single message.

More than one data field may appear in a single message.

In summary:

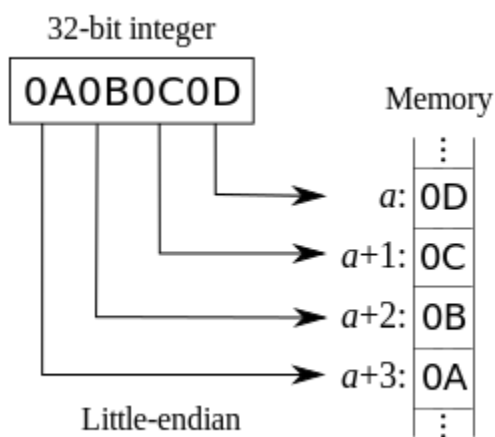
- One data field will not be split across multiple messages.
- Many data fields may appear in one message.

## 1.5. Number Formats

### 1.5.1. Little Endian

All data in the payloads is LITTLE ENDIAN. Be aware of this when converting data fields that consist of more than one byte from the data payload.

<https://en.wikipedia.org/wiki/Endianness#Little>



### 1.5.2. Signed (Negative) Numbers

Signed numbers are represented in “two’s complement” form. Be aware of this when converting signed fields from the data payload.

[https://en.wikipedia.org/wiki/Two's\\_complement](https://en.wikipedia.org/wiki/Two's_complement)

All multi-byte values are treated as little-endian.

### 1.5.3. Bit Numbering

Bit number is from the ‘right’ – the least significant bit (LSb) is b0.

## 2. DATA FIELDS

Each item of data that the SensorData measures and/or transmits is referred to as a “Data Field”.

Each Data Field is identified by a Data Field ID value (also known as a “key”), and the software decoding the information needs to have knowledge of the IDs being sent to it and what their corresponding lengths are.

Note that in the case of LoRaWAN, the first ID is given by the LoRaWAN Port number for the message. The data starts at byte 0 of the payload.

## 2.1. List of Data Fields

ID	Name	Size	Units
0	Reserved		
1	System Firmware version (reset message)	4	Struct
2	Debug Statistics	TBD	Struct
3	Reserved for Downlink Acknowledgement		
10	GPS Position	6	Struct
20	Battery Voltage	2	UINT16 (mV)
21	Analog In 1	2	UINT16 (mV)
22	Analog In 2	2	UINT16 (mV)
23	Analog In 3	2	UINT16 (mV)
30	Digital Input State	1	Bitfield
31	Input 1 Pulse Count	2	UINT16
32	Input 2 Pulse Count	2	UINT16
33	Input 3 Pulse Count	2	UINT16
39	Digital Input Alert	2 + 2*N	Struct
40	Internal Temperature	2	INT16 (x100 degC)
41	Digital Matter I2C Temperature Probe 1 (Red)	2	INT16 (x100 degC)
42	Digital Matter I2C Temperature Probe 2 (Blue)	2	INT16 (x100 degC)
43	Digital Matter I2C Temperature & Relative Humidity	3	Struct
50	Battery Energy Used Since Power Up. 65535 = Unknown	2	UINT16 (mAh)
51	Estimated Battery % Remaining. 255 = Unknown	1	BYTE (0.5%)
128	SDI-12 Measurement 1	N	Struct
129	SDI-12 Measurement 1 – Part 2	N	Struct
130	SDI-12 Measurement 2	N	Struct
131	SDI-12 Measurement 2 – Part 2	N	Struct
132	SDI-12 Measurement 3	N	Struct
133	SDI-12 Measurement 3 – Part 2	N	Struct
134	SDI-12 Measurement 4	N	Struct
135	SDI-12 Measurement 4 – Part 2	N	Struct
136	SDI-12 Measurement 5	N	Struct
137	SDI-12 Measurement 5 – Part 2	N	Struct
223	Reserved		

224 to 255	Reserved as the LoRaWAN specification reserves these ports		
------------------	--	--	--

## 2.2. Hardware / Firmware Version (1)

Length = 4 bytes

Sent on device power on/reset

Offset	Type	Name	Units
0	BYTE	Product ID	
1	BYTE	Hardware Revision	
2	BYTE	Firmware Major Version	
3	BYTE	Firmware Minor Version	

## 2.3. GPS Position (10)

Length = 6 bytes

All 0xFF == no fix available

Offset	Type	Name	Units
0	INT24	Latitude	Deg x 10 <sup>7</sup> / 256
3	INT24	Longitude	Deg x 10 <sup>7</sup> / 256

INT24 for position gives 4m precision.

## 2.4. Digital Input State (30)

Contains a bitfield which correspond to the digital inputs. All unused/unsupported inputs will be set to 0.

Offset	Type	Name	Units
0.0	BOOL	Digital Input 1 state	
0.1	BOOL	Digital Input 2 State	
0.2	BOOL	Digital Input 3 State	
0.3-0.7	-	Reserved	

## 2.5. Digital Input Pulse Counts (31-33)

The digital input pulse counts are reported in fields 31 through 33, as unsigned 16-bit integers. They are *cumulative* counts, and will overflow periodically. Readings should be compared to their last reported value, and the difference (modulo 65536) used to increment a larger counter on your backend. Additionally:

- On the SensorData LoRaWAN, before firmware v2.2, and the SensorNode LoRaWAN before v2.4, the input counts would reset to zero when power was removed. There was no reliable way to detect this, as the reset message is sent for all resets, not just resets due to power removal.
- In the latest firmware versions, the input counts are monotonic and non-volatile, so you don't have to handle resets to zero.

## 2.6. Digital Input Alert (39)

Length = 2 + 2 x Number of digital inputs on device.

Offset	Type	Name	Units
0	BYTE	Current digital input state	Bitfield
1	BYTE	Input that triggered the alert	Number
2+(n-1)*2	UINT16	Digital input n cumulative pulse count	Number of pulses

The pulse counts shows the same values as data fields 31-33.

## 2.7. Digital Matter I2C Temperature & Relative Humidity (43)

Length = 3

Offset	Type	Name	Units
0	INT16	Temperature	x100 degC
2	UINT8	Relative Humidity	0.5%

## 2.8. SDI-12 Measurements

Offset	Type	Name	Units
0.0-0.3	UINT4	Number of data points	
0.4-0.7	UINT4	Data type for this measurement 0 = soil moisture UINT8 1 = temperature UINT8 2 = INT16 (x100) 3 = INT32 (x1000) 4 = INT12	The data type determines the data size, scale and offset to use (see below)
1	-	Data for the measurement Length depends on the data type and the number of data points	

### 2.8.1. SDI-12 Soil Moisture UINT8

The SensorData packs SDI-12 soil moisture values into UINT8 fields to get as many values in the message as possible.

SMP = (value in field / 2) – 5, yielding a range of -5 to 122.5 with 0.5 precision.

Using this data type the maximum number of readings that can be packed into a single message is 10. A “Part 2” data field allows for a second set of 10 readings.

### 2.8.2. SDI-12 Temperature UINT8

The SensorData packs SDI-12 temperature values into UINT8 fields to get as many values in the message as possible.

Temp = (value in field / 2) – 40, yielding a range of -40 to 87.5 with 0.5 precision.

Using this data type the maximum number of readings that can be packed into a single message is 10.

### 2.8.3. SDI-12 Generic INT16 \* 100

This allows an SDI-12 reading to be  $\pm 327.67$  with 2 decimal places. Using this data type, the maximum number of data points that can be packed into a single message is 5.

### 2.8.4. SDI-12 Generic INT32 \* 1000

This allows an SDI-12 reading to be  $\pm 2,147,483.647$  with 3 decimal places. Using this data type, the maximum number of data points that can be packed into a single message is 2.

### 2.8.5. SDI-12 Generic INT12

Designed to cover both soil moisture and temperature, INT12 covers -50 to +154.7, with a precision of 0.05.

Value = (value in field / 20) – 50

Using this data type, the maximum number of data points that can be packed into a single message is 6. Care must be taken when decoding values, as they span across multiple byte boundaries.

Byte 1	Byte 2		Byte 3
Sample 1 MSB	Sample 1 LSB	Sample 2 MSB	Sample 2 LSB

The length of the SDI-12 data can be determined by using the table below:

Number of Samples	1	2	3	4	5	6
Length (bytes)	2	3	5	6	8	9

Example: 3 samples returned – 25.60, 17.55, 12.30

Received: {0x5E, 0x85, 0x47, 0x4D, 0xE0} (5 bytes, last 4 bits can be ignored)

0x5E8 = 1512 -> 1512 / 20 - 50 = 25.60

0x547 = 1351 -> 1351 / 20 - 50 = 17.55

0x4DE = 1246 -> 1246 / 20 - 50 = 12.30

### 2.8.6. SDI-12 Error format

If the SensorData fails to take a reading from the specific sensor, the number of data points will be set to 0, and the type will be left as set. The total length will be 1 byte (no data section).

### 3. NON-VOLATILE COUNTER STORAGE

---

Where it makes sense the counter values will be written to non-volatile storage periodically (if they have changed). This is to allow them to be read if the device is reset or has its batteries changed.

### 4. MESSAGE PACKING

---

Data fields are packed into Sigfox/LoRaWAN messages as key/value pairs. The key is the ID of the data field and this is followed by the data.

The data field size is implied from the ID, or in some cases where the data is variable length then the length of the data field is encoded at the start of the data field itself.

This data layout allows us to fit as many of the data fields as we can into a limited byte size message in a flexible manner.

The SensorData firmware will determine the order and best way to pack the data fields into messages, possibly splitting the data fields across multiple messages. However, a single key/value will always be totally contained within a single message.

### 5. SCHEDULES

---

The SensorData is setup to transmit based on schedules.

Several different schedules can be setup (currently up to 5), and the schedule parameters contain information that allow the SensorData to determine the schedule timing.

Each schedule is defined to send messages that contain data from a selected list of data fields for the transmission schedule.

For example:

Schedule 1	Every 30 minutes Transmit the temperature, humidity and tipping rain gauge count
Schedule 2	Every 1 day Transmit the GPS data (location)

#### 5.1. Message Queueing

---

It is important to be aware of message restrictions in terms of duty cycle depending on the region that you are located in. Sigfox networks have a maximum of 140 messages per day per device.

If a schedule results in more than one message to be sent then the messages will be sent one after another, as duty cycle limitations allow.

#### 5.2. Schedule Expiry

---

On the LoRaWAN devices, due to duty cycle limitations (depending on the region), a schedule data expiry has been added to guard against transmitting data that is too old. If the expiry time passes while waiting for a transmission, the schedule will be cancelled, and no more data will be sent.

If data is constantly being expired (only receiving the first payload of a schedule), the schedules should be changed to a more appropriate period for the region. For example, a schedule can be split into multiple schedules/periods.

## 6. PARAMETERS

### 6.1. Schedules

Each schedule is defined in a FlexiParam block. Currently the design caters for a time interval and an offset.

### 6.2. Data Fields

Certain data fields may need to have additional parameters set for them on an installation of a SensorData (eg. SDI-12 sensor data) and this is done by setting data field specific parameters on the SensorData.

#### 6.2.1. SDI-12 Measurement Parameters

Offset	Type	Name	Units
0	CHAR	Address of the SDI-12 probe	'0'..'9'
1	CHAR	Measurement number	'0'..'9'
2	UINT8	Number of data points	1-15
3	UINT8	Data type for this measurement See 2.8 for more detail	

## 7. DOWNLINK MESSAGES

Downlink payloads are limited to 8 bytes on Sigfox and can be as small as 11 bytes on LoRaWAN. Therefore we split downlink configuration messages up in to separate structures where each can configure a certain part of the device's functionality. The payload structure is determined by the payload ID; this is either the first byte in Sigfox payloads, or the port number in LoRaWAN payloads.

### 7.1. Acknowledgement Uplink

When a downlink message is received, the SensorData / SensorNode will send an explicit acknowledgement uplink (data field ID 3) on reception of a downlink. It sends this acknowledgement only once, as soon as possible (limited by network, and after any already pending messages). The uplink includes a sequence number to help identify the specific downlink being acknowledged, despite any queuing / buffering in the network. 'Confirmed' and 'unconfirmed' downlinks are handled in the same way.

#### 7.1.1. Sigfox Payload

Offset	Description
0	Field ID (3)
1.0-1.6	Sequence number (identifies downlink to server)
1.7	0: Downlink rejected, 1: Downlink accepted
2	Firmware major version
3	Firmware minor version

#### 7.1.2. LoRaWAN Payload (Port 3)



Offset	Description
0.0-0.6	Sequence number (identifies downlink to server)
0.7	0: Downlink rejected, 1: Downlink accepted
1	Firmware major version
2	Firmware minor version

## 7.2. Downlink Message Formats

For LoRaWAN devices, the first byte (downlink type) is moved to the port number.

### 7.2.1. Downlink 1 - 5: Schedule Parameters

Sets parameters for schedules 1 to 5.

Offset	Description
0	Downlink type (1 - 5)
1.0-1.6	Downlink sequence number (reported in acknowledgement)
1.7	Reserved. Set to zero
2 (BYTE)	Schedule period. 1-127: 1-127 minutes, 129-255: 1-127 Hours, 0 or 128 disables
3 (BYTE)	Schedule Expiry time (10 seconds)
4 (BYTE)	Item type 1 (See <a href="#">list of data fields</a> )
5 (BYTE)	Item type 2
6 (BYTE)	Item type 3
7 (BYTE)	Item type 4

### 7.2.2. Downlink 10: Analog Input Parameters

Offset	Description
0	Downlink type (10)
1.0-1.6	Downlink sequence number (reported in acknowledgement)
1.7	Reserved. Set to zero
2.0	Input 1: Enable 3.3V out on sample. Default 0 (disabled)
2.1	Input 1: Enable Vout on sample. Default 0 (disabled)
2.2	Input 2: Enable 3.3V out on sample. Default 0 (disabled)
2.3	Input 2: Enable Vout on sample. Default 0 (disabled)
2.4	Input 3: Enable 3.3V out on sample. Default 0 (disabled)
2.5	Input 3: Enable Vout on sample. Default 0 (disabled)
2.6-2.7	Reserved. Set to zero

3 (BYTE)	Input 1: Power on delay (seconds). Default 0
4 (BYTE)	Input 2: Power on delay (seconds). Default 0
5 (BYTE)	Input 3: Power on delay (seconds). Default 0

Any parameters unsupported on the specific device should be set to 0.

### 7.2.3. Downlink 12: Digital Input Parameters

Offset	Description
0	Downlink type (12)
1.0-1.6	Downlink sequence number (reported in acknowledgement)
1.7	Reserved. Set to zero
2 (BYTE)	Global maximum alarm rate. 1-127: 10-1270 seconds, 129-255: 10-1270 minutes, 0 or 128 disables. Default 600s (188)
3.0	Input 1: Transmit on low to high. Default off (0)
3.1	Input 1: Transmit on high to low. Default off (0)
3.2	Input 2: Transmit on low to high. Default off (0)
3.3	Input 2: Transmit on high to low. Default off (0)
3.4	Input 3: Transmit on low to high. Default off (0)
3.5	Input 3: Transmit on high to low. Default off (0)
3.6	Change the queue alarms settings**
3.7	Input 1: Queue alarms exceeding rate limit. Default off (0)**
4 (BYTE)	Input 1: Debounce period (10 ms). Default 1s (100)
5 (BYTE)	Input 2: Debounce period (10 ms). Default 1s (100)
6 (BYTE)	Input 3: Debounce period (10 ms). Default 1s (100)
7.0-7.1	Input 1: Pull direction*
7.2-7.3	Input 2: Pull direction*
7.4-7.5	Input 3: Pull direction*
7.6	Input 2: Queue alarms exceeding rate limit. Default off (0)**
7.7	Input 3: Queue alarms exceeding rate limit. Default off (0)**

Any parameters unsupported on the specific device should be set to 0.

\* For pull directions, 0 = no change to setting, 1 = no pull up/down, 2 = pull up, 3 = pull down.

Available from v1.6 on the SensorNode LoRaWAN, v2.0 on the SensorData LoRaWAN, and v1.5 on the SensorData Sigfox.

\*\* Defers transmission of alarms until the rate limit period has expired, instead of dropping them. No change is made to the setting unless bit 3.6 is set. Available from v2.4 on the SensorNode LoRaWAN, v2.2 on the SensorData LoRaWAN, and v1.7 on the SensorData Sigfox.

### 7.2.4. Downlink 14: GPS Parameters

Offset	Description
0	Downlink type (14)
1.0-1.6	Downlink sequence number (reported in acknowledgement)
1.7	Reserved. Set to zero
2 (BYTE)	Required PDOP for valid GPS, 25-100: 2.5 to 10.0. Default 10.0 (100)
3 (BYTE)	Required position accuracy for valid GPS, 5-100: 5-100 m. Default 75 m
4 (BYTE)	Required speed accuracy for valid GPS, 0.1 km/h, 2.9-19.8 km/h. Default 10 km/h (100)
5 (BYTE)	Discard first N GPS points to allow solution to settle, 0-32: 0-32 positions. Default 3
6 (BYTE)	Fix timeout (seconds). Default 90

### 7.2.5. Downlink 16: SDI-12 General Parameters

Offset	Description
0	Downlink type (16)
1.0-1.6	Downlink sequence number (reported in acknowledgement)
1.7	Reserved. Set to zero
2 (BYTE)	Global power up delay (seconds). Default 5

### 7.2.6. Downlink 17 - 21: SDI-12 Measurement Parameters

Downlink type 17 = measurement 1, downlink type 18 = measurement 2 etc.

Offset	Description
0	Downlink type (17-21)
1.0-1.6	Downlink sequence number (reported in acknowledgement)
1.7	Reserved. Set to zero
2 (BYTE)	Measurement address (0-9)
3 (BYTE)	Measurement type (see SDI-12 protocol specifications)
4 (BYTE)	Measurement count (0-20). See <a href="#">SDI-12 measurements</a> for limitations
5 (BYTE)	Measurement data type (see <a href="#">SDI-12 measurements</a> )

### 7.2.7. Downlink 30: Power Parameters

Offset	Description
0	Downlink type (30)
1.0-1.6	Downlink sequence number (reported in acknowledgement)

1.7	Enable Vout Boost. Default off (0)
2.0-2.1	0 = Disable battery level sensing, 1 = mAh sensing only, 2 = mAh & % sensing, 3 = reserved.
2.2-2.7	Reserved. Set to zero

### 7.2.8. Downlink 31 - 35: Schedule Power Parameters

Sets parameters for schedules 1 to 5.

Offset	Description
0	Downlink type (31 - 35)
1.0-1.6	Downlink sequence number (reported in acknowledgement)
1.7	Reserved. Set to zero
2.0	Enable 3.3V out for the entire schedule. Default 0 (disabled)
2.1	Enable Vout for the entire schedule. Default 0 (disabled)
2.2-2.7	Reserved. Set to zero
3 (BYTE)	Power on delay (seconds). Default 0

Available from v2.4 on the SensorNode LoRaWAN, v2.2 on the SensorData LoRaWAN, and v1.7 on the SensorData Sigfox.

### 7.2.9. Downlink 40: LoRaWAN Channels

Only applies to LoRaWAN devices. Port 40.

Offset	Description
0.0-0.6	Downlink sequence number (reported in acknowledgement)
0.7	Reserved. Set to zero
1.0-1.3	Minimum data rate to use when ADR is disabled. Default is 0 (DR0)
1.4-1.7	Maximum data rate to use when ADR is disabled. Default is 2 (DR2)
2-10	Uplink channel mask, set bits are enabled channels, LSb of the 1st byte is channel 0, MSb of the 9th byte is channel 71, set all zeros (default) for the region-specific defaults

The SensorData / SensorNode will spread its transmissions out over the allowed data rates in such a way as to equalize the time spent on-air at each data rate. For the default setting of DR0-DR2, this gives a 16 / 30 / 54% split between the three data rates, and maximizes the gateway's capacity. However, the relative range of the three data rates are 100, 75, and 50% respectively. When ADR is enabled, the network server controls the data rate instead.

The uplink channel mask should be left 0 (default) in regions where the network join channels are fixed: EU863-870, IN865-867, AS923, and KR920-923. In these regions, the gateway will tell the device which channels to use, during the join procedure.

In regions where the join channels are not specified (US902-928, AU915-928), you should set the channel mask to avoid continued transmission on unused channels. In these regions the gateway will usually not tell the device which channels to use, resulting in significant packet loss if the mask hasn't been programmed.

### 7.2.10. Downlink 41: LoRaWAN Application

Only applies to LoRaWAN devices. Port 41.

Offset	Description
0.0-0.6	Downlink sequence number (reported in acknowledgement)
0.7	Set JoinEUI. 0 = Use default JoinEUI, 1 = Use supplied JoinEUI. Default 0
1-8	JoinEUI, <b>big endian</b> , ie. JoinEUI 70-B3-D5-70-50-00-00-05 is encoded with first byte as 0x70 and the second byte 0xB3, where 70-B3-D5-70-5 is the manufacturer identifying portion of the JoinEUI

The acknowledgement will be transmitted **once** on the existing JoinEUI, and then the device will switch to the new JoinEUI. It continues to use the already provisioned NwkKey and AppKey, which cannot be programmed over the air.

Note that:

- In LoRaWAN 1.0, the JoinEUI is known as the AppEUI
- In LoRaWAN 1.1, changing the JoinEUI resets three cryptographic counters:
  - RJCount1
  - DevNonce
  - JoinNonce
- So after changing the JoinEUI in 1.1, you must reset the counters on the join server

### 7.2.11. Downlink 42: Advanced LoRaWAN Options

Only applies to LoRaWAN devices. Port 42.

Offset	Description
0.0-0.6	Downlink sequence number (reported in acknowledgement)
0.7	Reserved. Set to zero
1 (BYTE)	Days between network joins, 0 disables. Default 14
2.0-2.1	ADR support. 0 = never, 2 = Always. Other options are reserved. Default never.
2.2-2.3	Reserved. Set to zero
2.4-2.7	Initial frame repetitions (NbTrans/Reps), 1-15. Default 1.
3.0-3.3	Initial MaxCount0, sets uplinks between Rejoin0 attempts in LoRaWAN 1.1 OTAA. Uplink interval equals $2^{(4+MaxCount0)}$ . Default 15.
3.4-3.7	Initial MaxTime0, sets approx. time between Rejoin0 attempts in LoRaWAN 1.1 OTAA. Uplink period equals $2^{(10+MaxTime0)}$ s. Default 15.
4.0-4.3	Initial ADRAckLimitExp, sets uplinks between ADR confirmation requests. Uplink interval equals $2^{ADRAckLimitExp}$ . Default 6 (limit is 64)
4.4-4.7	Initial ADRAckDelayExp, sets uplinks between ADR backoff steps. Uplink interval equals $2^{ADRAckDelayExp}$ . Default 5 (delay is 32)
5 (INT8)	Maximum Tx power limit, signed. -128-127: -128 to 127 dBm EIRP. Default 127 (no limit)

6 (BYTE)	Random Tx delay. 0: disabled, 1-127: 1-127 seconds, 129-255: 1-127 minutes. Default disabled.
----------	---

By default, the SensorData / SensorNode rejoins the network once a fortnight, in case the network server has somehow forgotten the session keys. This period can be extended to up to 255 days, or disabled entirely. However, if a device is accidentally deleted on the network server, or the network server suffers a database failure and loses the session keys, the server will be unable to decrypt any device data until it has rejoined. Rejoining fortnightly generates several extra transmissions, but lowers the time spent out of service in the event of an accident.

By default, the device does not request Adaptive Data Rate (ADR) when sending uplinks, choosing instead to control its data rate according to the configured range. However, you may wish to enable ADR when the device is mostly stationary, to optimize power usage and network capacity.

Fields from offset 2.4 onwards are supported from firmware version 2.0.

### 7.2.12. Downlink 50: MLX90614 Parameters

Offset	Description
0	Downlink type (50)
1.0-1.6	Downlink sequence number (reported in acknowledgement)
1.7	Reserved. Set to zero
2 (BYTE)	Independent sample period, 1-255: 1-255 minutes, 0: disabled (samples taken when schedule runs). Default 0 (disabled)
3 (BYTE)	Power on delay, 0-15: 0-15 seconds. Default 1
4 (BYTE)	Number of samples to average, 1-255. Default 1

Available from v2.4 on the SensorNode LoRaWAN, v2.2 on the SensorData LoRaWAN. Not yet available on the SensorData Sigfox.

## 8. CONTACT INFORMATION

View our website and online knowledge base for the latest documentation and FAQs: <http://www.digitalmatter.com/support>

Contact: <http://www.digitalmatter.com/contact>

Sign up for our product news and updates: <http://eepurl.com/buyjvb>