

SL2100 Multiline Terminal Quick Reference Guide

Thank you for purchasing NEC "SL2100" system.

Due to the flexibility built into the system, your **Dialling Codes and Feature Capacities** may differ from those in this guide. Check with your Supplier / System Administrator and make a note of any differences.

Using Your Telephone

■ DTK-12D/24D TEL

Handset

Speaker

Exit Key

Exit any screen and return the display to "Time & Date".

Call Indicator Lamp

This lamp flashes fast when a call is ringing and flashes slower when a message has been left.

Alphanumeric Display

The display has 3 lines, 24 characters with backlight.

Soft Keys

The Soft Keys show the available features for your current activity. Any feature shown at the bottom of the display is available.

Programmable Function Keys

Flexible Line keys or Feature Keys assigned by the System Administrator.

Help Key

The user can press this key followed by a programmable key to check what Line or Programmable Feature is assigned on the key.

Recall Key

Press key to finish an outside call and hear the dial tone.

Feature Key

Used to activate any features and to program One-Touch Speed Dial Keys.

Answer Key

When the LED is ON, press the key to answer a waiting call.

MIC Key

Mute Handsfree Microphone. Key lights when microphone is muted.

Menu Key

Used to access Terminal Settings.

Cursor Keys

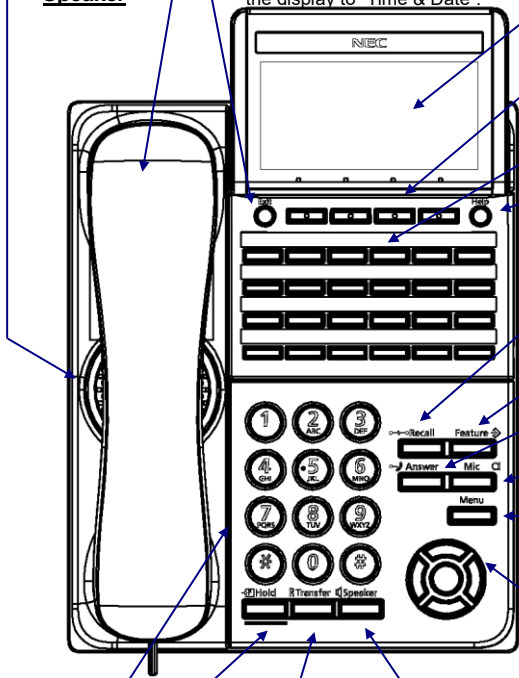
Scroll / Volume (UP) Key

Incoming Call History key

Redial Key

Enter Key

Directory Functions or Scroll / Volume (DOWN)



Dial Keys

HOLD Key

Press this key to place an internal or external call on hold.

Transfer Key

Allows the extension user to transfer established calls to another extension.

Speaker Key

Controls the built-in speaker which can be used for Handsfree dialling/monitoring. Lamp on key lights when key is active.

LIABILITY DISCLAIMER

NEC Enterprise Solutions reserves the right to change the specifications, functions, or features, at any time, without notice.

NEC Enterprise Solutions has prepared this document for use by its employees and customers. The information contained herein is the property of NEC Enterprise Solutions and shall not be reproduced without prior written approval from NEC Enterprise Solutions.

Copyright 2020 NEC Enterprise Solutions

Basic Operation

To adjust handset volume

Press the **Volume (UP)** or **(DOWN)** keys during a call.

To adjust speaker volume

Press **Volume (UP)** or **(DOWN)** keys during a handsfree call.

To adjust ring tone volume

Press **Volume (UP)** or **(DOWN)** keys while the phone is ringing.

To adjust LCD Contrast

To adjust the display:.

1. Press the **Menu** soft key.
2. Dial **21** on the dial pad.
3. Press the **Select** soft key.
4. Press the **(UP)** or **(DOWN)** Cursor keys to adjust the display contrast.
5. Press **Enter** key.
5. Press **Speaker** key to finish.

Making Internal Calls

1. Lift the handset or press the **Speaker** key to receive dial tone.
2. Dial the extension number of the required party.

Making Outside Calls

1. Press the Line key to access the specific outside line.
or
Lift the handset
or
Press the **Speaker** key and dial the line access code. (Default; dial 9)
2. Dial the telephone number of the required party.

➔ Ask your System Administrator for the line access code.

Incoming Call History

1. Press the **Incoming Call History** key – your last incoming call is displayed.
2. Press the **(UP)** or **(Down)** Cursor keys to scroll through your call list.
3. Press the **Redial** key to make the call.

Answering a Call

Your phone will ring and the Call Indicator Lamp will flash.

1. Lift the handset.
or
Press the **Speaker** key to answer by handsfree.

Placing a Call on Hold

1. Press the **Hold** key during a call.
2. Outside calls will flash at the Line key, Internal calls will flash at the Hold key.
3. Press the flashing key to retrieve the held caller.

Redialling a Previous Number

1. Press the **Redial** key – your last dialed call is displayed.
2. Press the **(UP)** or **(DOWN)** Cursor keys to scroll through your call list.
3. Press the **Redial** key to make the call.

Transferring a Call

1. Press the **Transfer** key during a call.
2. Dial the extension number of the required party.
or
Press the **Speaker** key and dial the line access code. (Default; dial 9)
3. Press the **Transfer** key to send the call through.
or
Wait for answer, announce the caller and press **Transfer** to send the call through.

Additional Operation

Conference

With a call in progress (Internal or External)

1. Press the **Conf** soft key.
2. Dial an Internal or External number.
3. When the third party answers, press the **Add** soft key.
4. Press the **Begin** soft key to begin the Conference.
5. A three way conference is now established.
➔ Any party may exit the conference by hanging up. The two parties will remain connected, as long as one of the remaining parties is internal.

Camp On/ Callback

If you dial a busy extension:

1. Dial # and hang up.
2. Replace the handset.
During this time you may make and receive calls
3. When both extensions are free, your phone will ring.
4. Lift the handset and the other extension will ring.

To Cancel:

1. Lift the handset and dial access code **870**.
➔ The access codes are default only, and may have been changed for your system.

Call Forward - Immediately

Forwards all calls immediately.

To Set:

1. Lift the handset and dial the Call Forward All Access code **848**.
2. Dial **1** to set.
3. Dial the destination number.
4. Replace the handset.

To Cancel:

1. Lift the handset and dial the Call Forward All Access code **848**.
2. Dial **0** to cancel.
3. Replace the handset.

➔ The access codes are default only, and may have been changed for your system.

Call Forward – Busy

Forwards calls when your extension is busy.

To Set:

1. Lift the handset and dial **843**.
2. Dial **1** to set.
3. Dial the destination number.
4. Replace the handset.

To Cancel:

1. Lift the handset and dial **843**.
2. Dial **0** to cancel.
3. Replace the handset.

➔ The access codes are default only, and may have been changed for your system.

Call Forward – No answer

Forwards calls only after the call forward no answer timer expires.

To Set:

1. Lift the handset and dial the Call Forward No answer Access code **845**.
2. Dial **1** to set.
3. Dial the destination number.
4. Replace the handset.

To Cancel:

1. Lift the handset and dial the Call Forward All access code **845**.
2. Dial **0** to cancel.
3. Replace the handset.

➔ The access codes are default only, and may have been changed for your system.

Additional Operation

Call Pick Up

To answer a ringing extension in your group:

1. Lift the handset and dial **867**.

For answering ringing extensions not in your group:

1. Lift the handset and dial **868** + ringing extension Group number.
➔ The access codes are default only, and may have been changed for your system.

Programming Speed Dial Numbers

To store a Speed Dial number:

1. Press the **Speaker** key and dial **853** (for system).
2. Dial the speed dial bin number (000-899).
➔ Bins 000-899 are assigned by default and these values can be changed via system programming.
3. Dial telephone number you want to store (Up to 36 digits).
4. Press the **Hold** key.
5. Enter name using dial pad.
6. Press the **Hold** key.

To dial a system Speed Dial number:

1. Without lifting the handset, press the **Directory** key on the bottom Cursor key.
2. Press the **(UP)** or **(DOWN)** Cursor keys to search for the required number.
3. Go Off-hook to dial out.
➔ The access codes are default only, and may have been changed for your system.

Do Not Disturb

Block incoming calls to your extension.

1. (Idle condition) Press the **DND** key.
2. Dial 1 to block Outside calls.
Dial 2 to block Internal calls.
Dial 3 to block All calls.
Dial 4 to block Transferred calls.
Dial 0 to Cancel.

Selectable Ring Tone

SL2100 Multiline Terminal has 8 types of ringer tones that you can select.

To Change your Extension Incoming Ring Tone:

1. Press the **Speaker** key and dial **820**.
2. Dial **1** to set Intercom ring, Dial **2** to set Trunk ring.
3. Dial the code **(1–8)** for the desired ring pattern.
4. Press the **Speaker** key to hang up.
➔ The access codes are default only, and may have been changed for your system.

Programmable Function Keys

Contact your System Administrator for operations specific to your system.

Shortcut Menu

The user can access the shortcut menu by pressing the **Enter** Cursor key.

