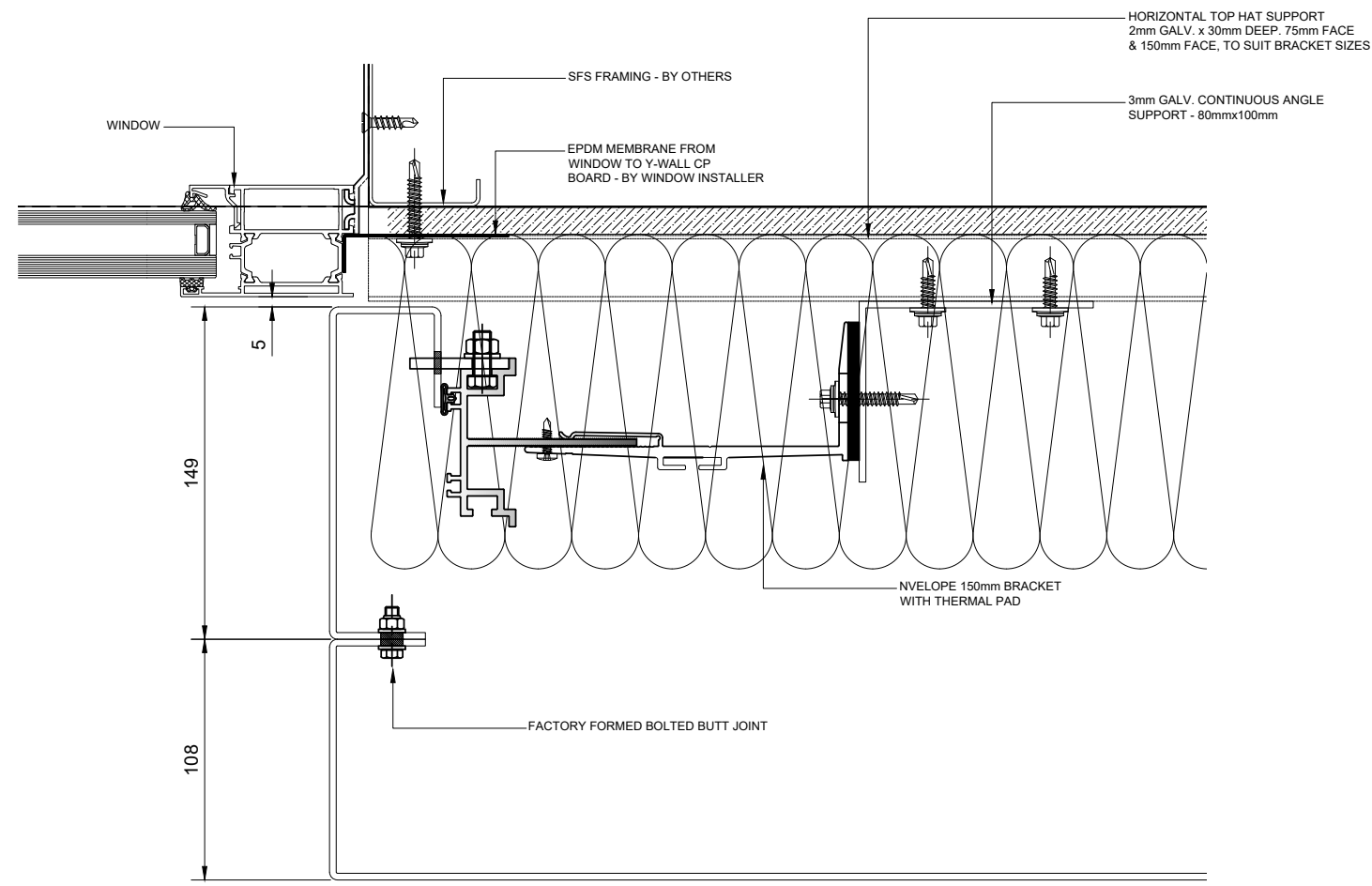
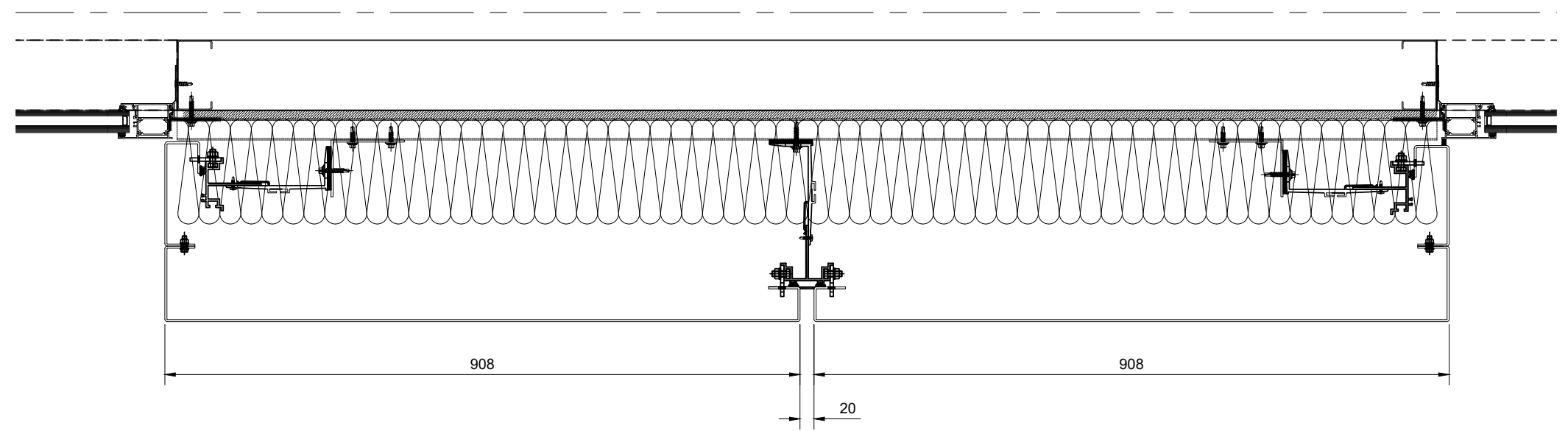
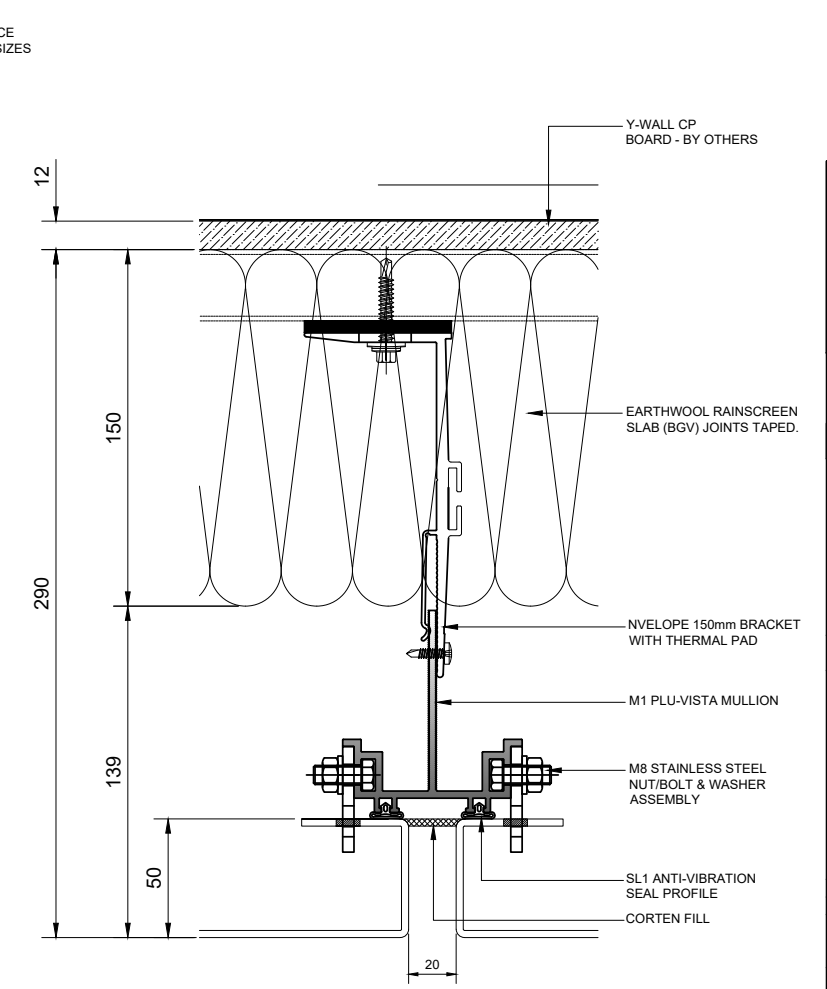


NOTES.
 1. THIS DRAWING IS COPYRIGHT AND IS SENT TO YOU IN CONFIDENCE. IT MUST NOT BE COPIED, USED OR DISCLOSED IN WHOLE OR IN PART, TO THIRD PARTIES WITHOUT OUR WRITTEN PERMISSION. IT REMAINS THE PROPERTY OF FK CONSTRUCTION LIMITED AND MUST BE RETURNED ON REQUEST.



01
 D100 - WINDOW JAMB



02
 D100 - TYPICAL VERTICAL JOINT

Office-2,
 Somerset House,
 30 Wynnstay Rd,
 Colwyn Bay,
 LL29 8NB.
 Tel: 01492 533167,
 e-mail: steve@srfastdesign.co.uk,
 www.srfastdesign.co.uk

SR Last Design Services Ltd
 Specialist Facade Design

CONSTRUCTION

REV	DETAILS	DATE
C3	UPDATED IN LINE WITH COMMENTS CONSTRUCTION ISSUE	06.05.17
C2	UPDATED IN LINE WITH COMMENTS CONSTRUCTION ISSUE	10.04.17
C1	UPDATED IN LINE WITH COMMENTS CONSTRUCTION ISSUE	25.03.17
P1	PRELIMINARY ISSUE	09.02.17

PURE EXTERIORS
 35 ROUNDHOUSE COURT
 BARNES WALLIS WAY
 BUCKSHAW VILLAGE
 CHORLEY
 LANCASHIRE
 PR7 7JN
 OFFICE TEL: 01772 598 190
 E-MAIL: info@pure-exteriors.com
 www.pure-exteriors.com

DRAWN BY	CHKD BY	DATE	SCALE
MS	-	09.02.2017	1:3 1:10

CLIENT

CONTRACT
 M-ONE CENTRAL

DRAWING TITLE
 TYPICAL WINDOW JAMB & VERTICAL PANEL JOINT DETAIL