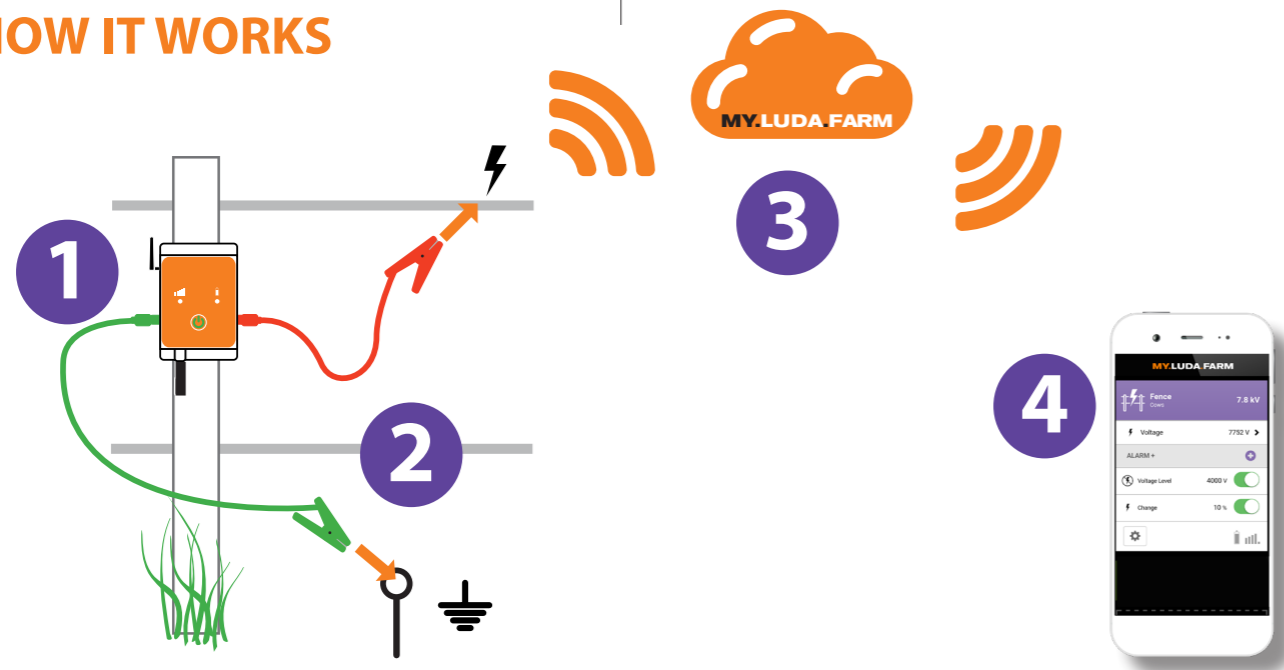
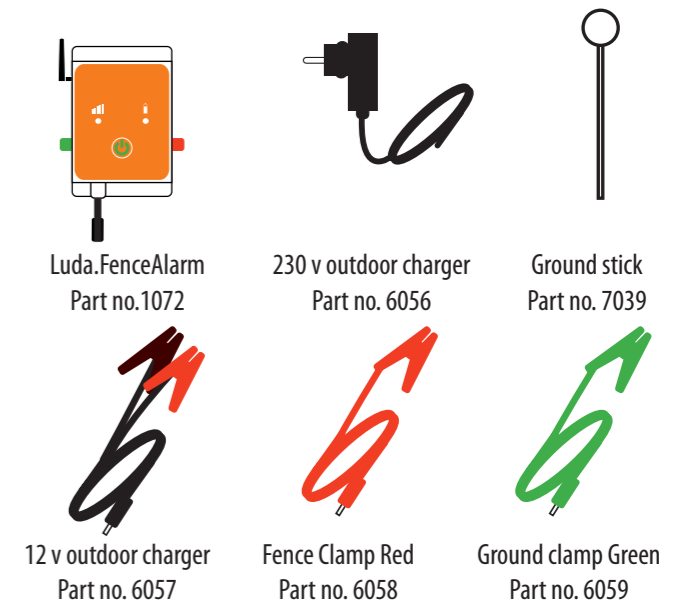




HOW IT WORKS

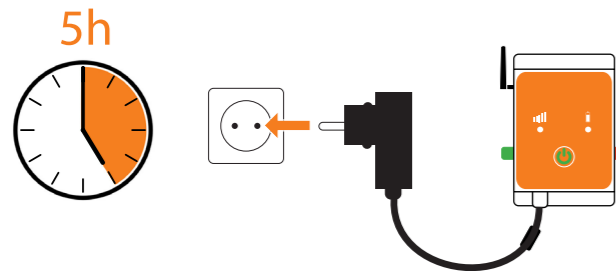


INCLUDED IN THE BOX



INSTALLATION

A **Before you start!**
Connect the charger and charge the battery for 5 hours



B **SMARTPHONE**
Get the **My.Luda.Farm** app from Appstore or Google play



C Open the app and follow the instructions.

D **PC/MAC**
Go to <http://my.luda.farm> and follow the instructions

TIPS

• If you mount your FenceAlarm close to your energizer you will be able to benefit from the existing grounding of your energizer as well as its power supply.

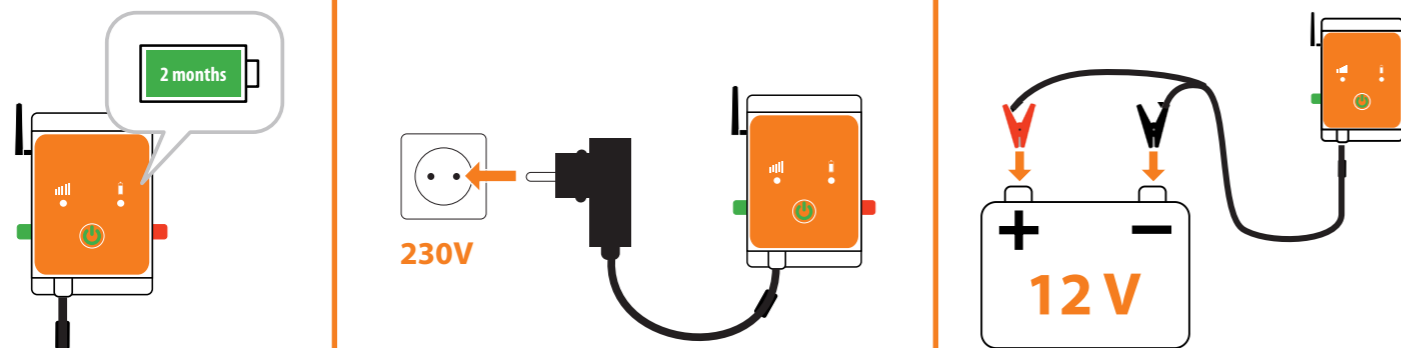
• If connected to continuous power supply (230V/12V) your FenceAlarm will check the status of the fence every 1 min. If running on its built-in battery, the unit will check the power status every 10 min to save battery.

FUNCTIONALITY

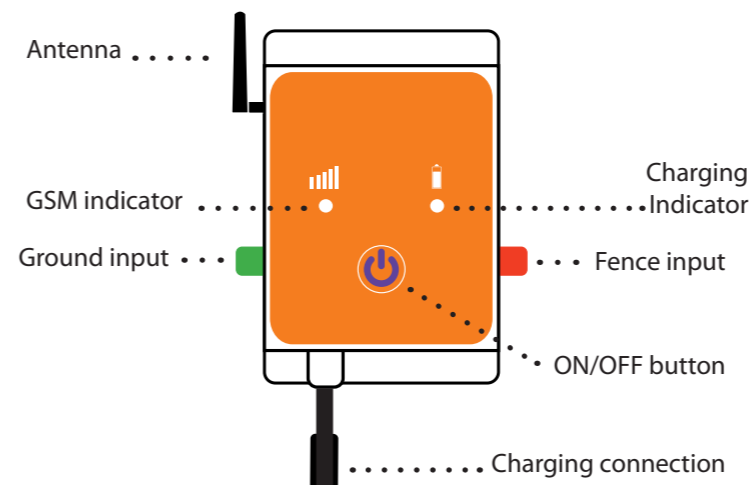
SUBSCRIPTION	FREE	ALARM +
Automatic alarms	-	✓
Unlimited alarm recipients	-	✓
Fence Voltage Graph	-	60 days
Status update frequency	Every 24 hours	At voltage change
Low battery alert	✓	✓
Price	0 €	60 € / year

POWER OPTIONS

BUILT IN BATTERY



FUNCTIONS



TECHNICAL SPECIFICATION

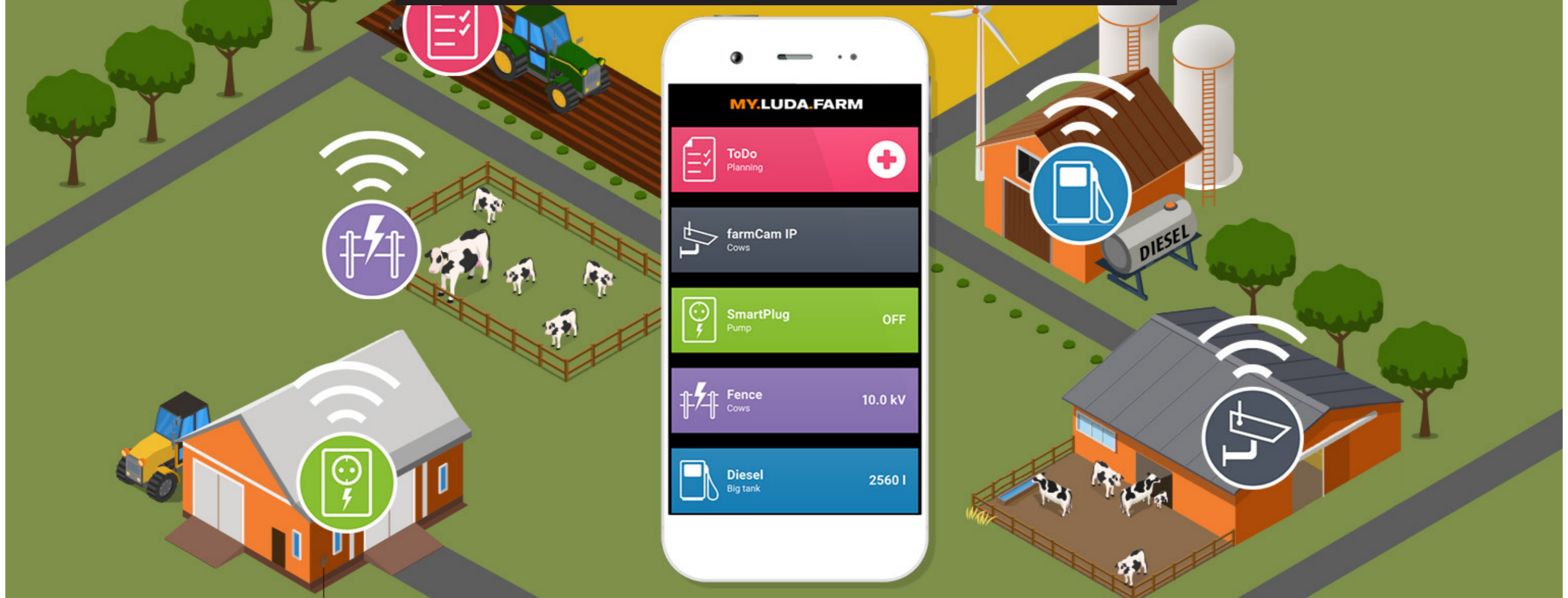
Electric Fence GSM Alarmer	Part no 1072
GSM	2G Dual-band 900/1800 MHZ
Battery type (included)	Rechargeble 18650 Li-ion 3.7V 3400 mAh
Power supply adapter	AC 100-240V
Power input fence sensor	DC 12 V 1A
IP Classification	IP65
Voltage range	100 - 12 000 V
Voltage accuracy	+ / - 100V.
Joule	Max 15 joule
Operating temperature	-20°C - +50°C
Storage temperature	-40°C - +50°C
System requirements for APPs	Android 4.1 or higher, iOS 6 or higher



Luda.Farm AB
Krokslätt Fabriker 30,
431 37 Mölndal - SWEDEN

THE CONTROL PANEL FOR YOUR FARM – IN YOUR PHONE

READ MORE AT WWW.LUDA.FARM



Alarm +

- Automatic alarms
- Unlimited alarm recipients
- Fence Voltage Graph™
- Status update at voltage change

60 € / year

- With Alarm+ you get notified at low voltage through automatic alarms which can be sent to an unlimited number of recipients.
- With the Fence Voltage Graph™ you can easily see if the voltage drop is sudden (animals breaking the fence) or slow (grass growth), allowing you to make the right decision when you have to prioritize your time.
- Alarm+ is available as an optional service in My.Luda.Farm at 60 € / year or 10 € / month.

Free

Status update every 24th hour

0 € / year

- Using Free you get the voltage level of your fence presented in the My.Luda.Farm app – the control panel of your farm. Current status is updated every 24:th hour.

SmartPlug



With Luda.SmartPlug, (sold as accessory), you can also turn ON/OFF the power to your fences wherever you are.