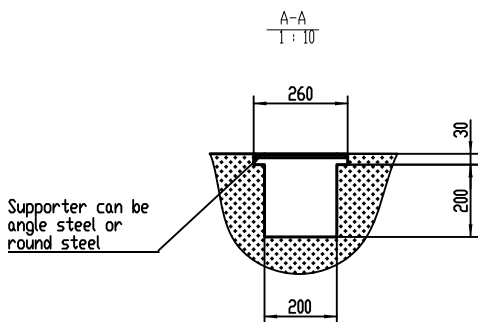
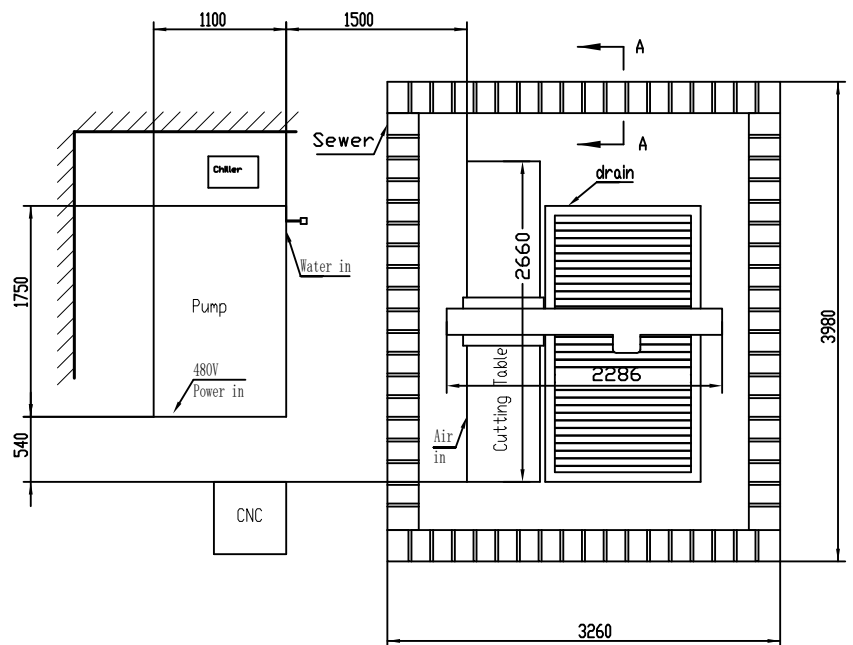


0603BB

- unit : millimeter
- oil chiller / air chiller/ water recycle system is an optional part.
- The dimension includes the extra space for the machine.
- Power Supply: 480V AC, 60Hz, 100Amps, 3ph
- Air Supply(Requires dry air): 85PSI, 95gal/min
- Water Supply(Requires clean water):  
i.Cutting water: 40psi - 120psi. Demineralized water  
Total Dissolved Solids(TDS)should be less than 100ppm  
ii.Cooling water: >8gal/min
- Flat floor
- Height clearance : 14 feet



A&V

0603BB

请按示意图准备场地，提供水源、电源、气源和排水。  
地面混凝土厚度不小于50cm，地面超平，地面水平高度  
差不超过5mm，场地净高度不低于4.5米。