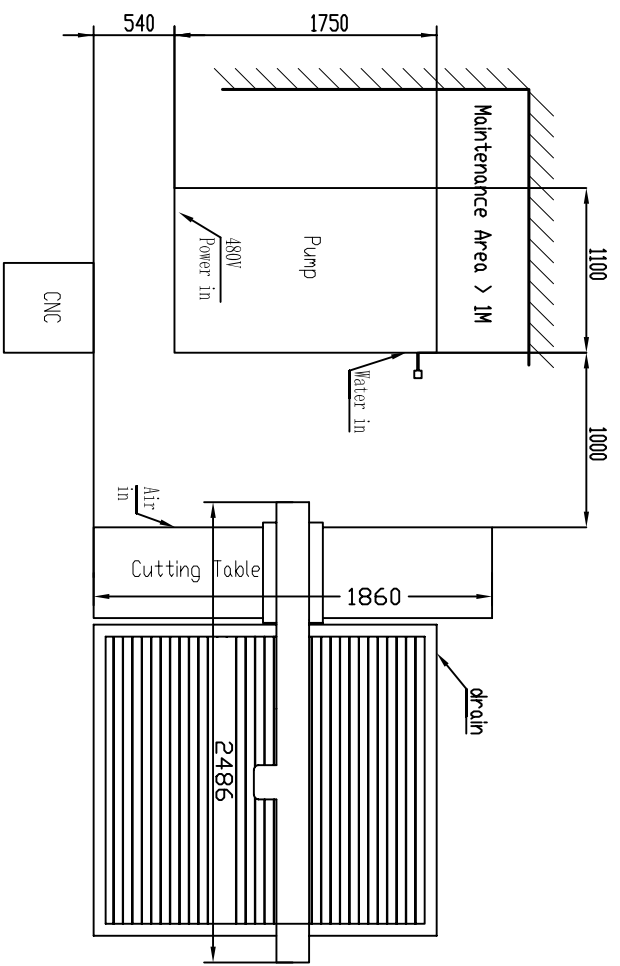
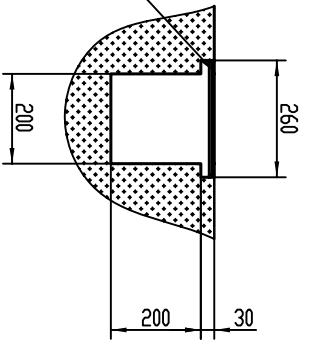


BBP040

Power Supply: 480VAC .160Hz .1100A, 3ph
 Air Supply: Compressed air 4-6KG/cm²
 Air supply > 0.3m³/min
 6mm air pipe connecting to cutting table
 Water Supply: Cutting Water Inlet Pressure: 2-4KG/cm
 Min flow rate 8L/min,
 Cooling Water Inlet Pressure: 2-7KG/cm
 Flow rate: 10-20L/min
 Ground cement thickness > 50mm
 Flat floor
 Height clearance 4.5M

Supporter can be angle steel or round steel



111712M1D (mm)	111712M1D (mm)	1112	0404BB Floor Plan	A&V
0-100 ±0.05	111039M1D ±0.3°			
10-300 ±0.10	111039M1D ±0.3			
30-500 ±0.15	111039M1D ±0.3			
50-1000 ±0.20	111039M1D ±0.3			
100-2000 ±0.50	111039M1D ±0.50		0404BB	130
200-7000 ±2.00	111039M1D ±2.00			
J 5. 7E-F	11 3. 2012081			
3 11	11 3.			
J 7				