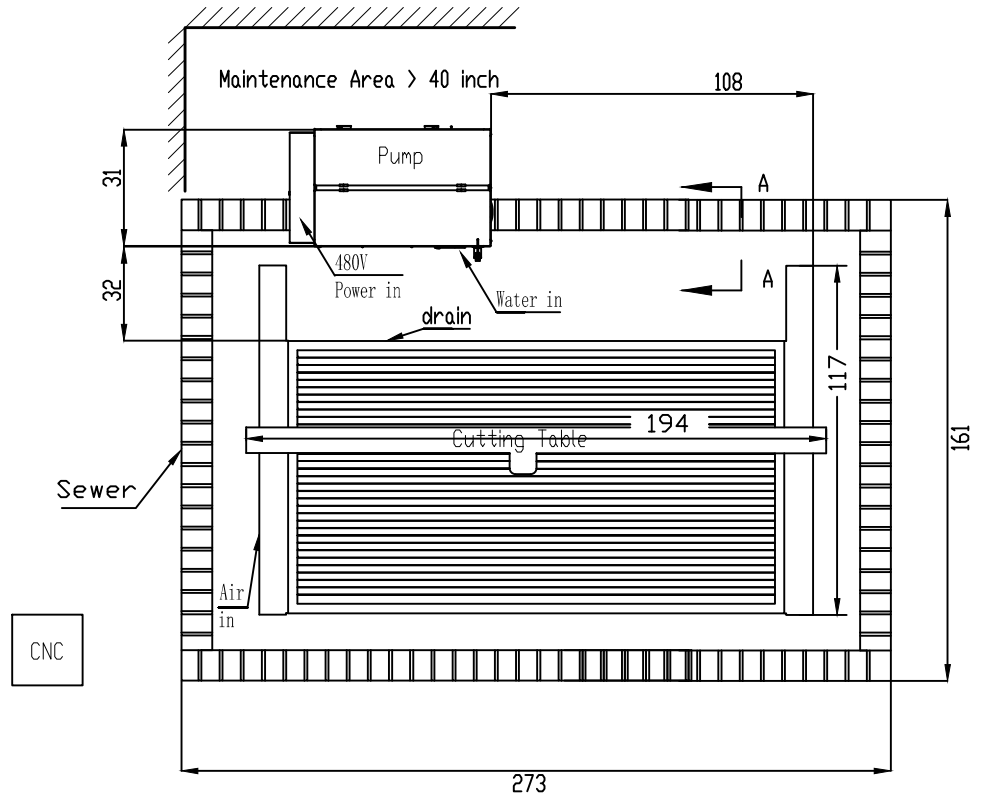
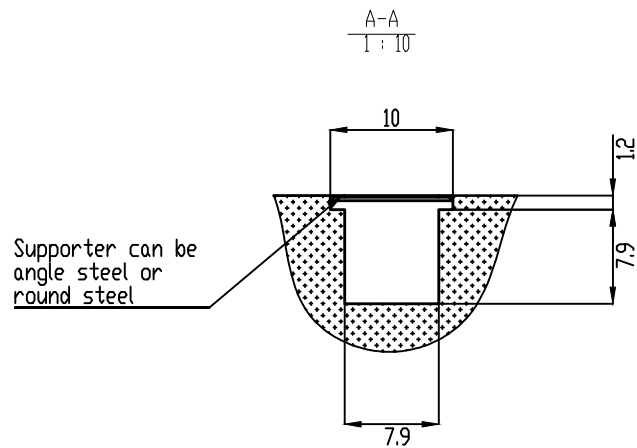


1206BA

- unit : inch
- oil chiller / air chiller/ water recycle system is an optional part for waterjet machine.
- The dimension includes the extra space for the machine.
- Power Supply: 480V AC, 60Hz, 100Amps, 3ph
- Air Supply(Requires dry air): 85PSI, 95gal/min
- Water Supply(Requires clean water):  
i.Cutting water: 40psi - 120psi. Demineralized water  
Total Dissolved Solids(TDS)should be less than 100ppm  
ii.Cooling water: >8gal/min
- Flat floor
- Height clearance : 14 feet



A&V

1206BA