

# CAPRI 400XL/500XL/600XL



**EN** - This tent should be erected by at least 2 people

**CZ** - This tent should be erected by at least 2 people

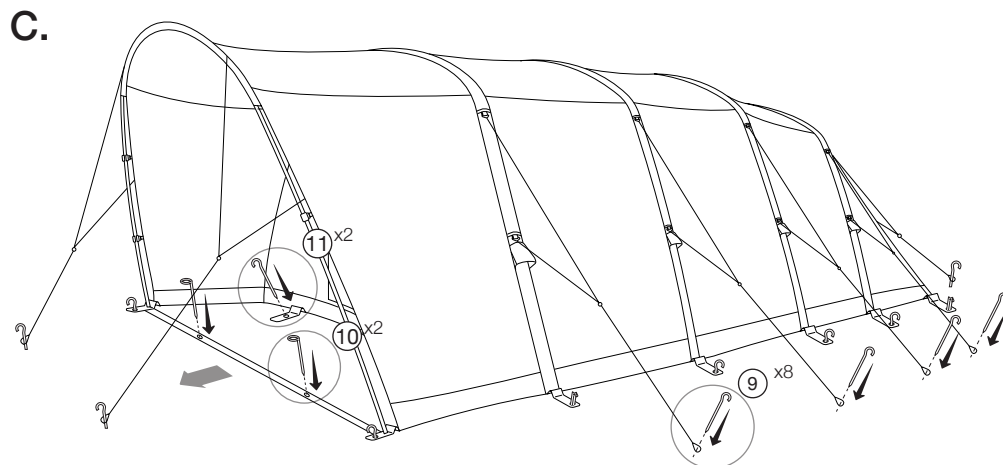
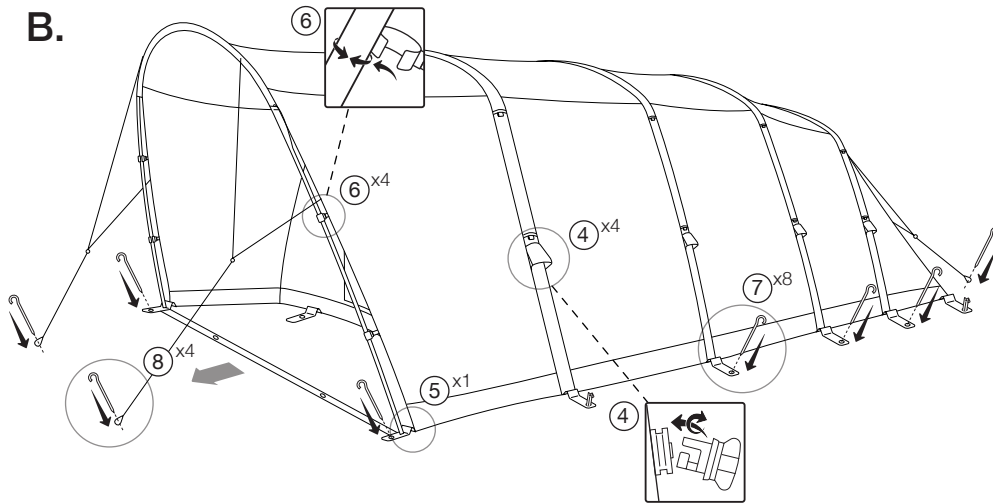
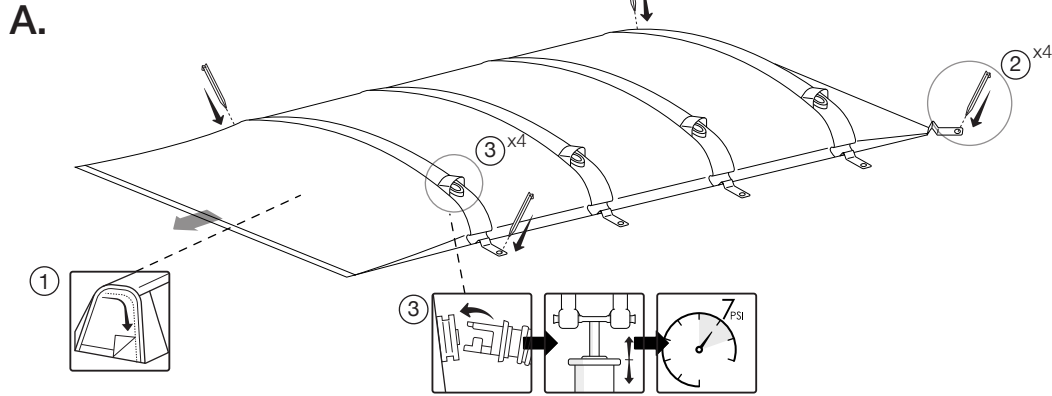
**DE** - This tent should be erected by at least 2 people

**FR** - This tent should be erected by at least 2 people

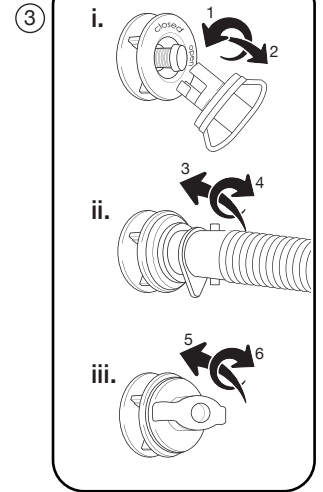
**IT** - This tent should be erected by at least 2 people

**NL** - This tent should be erected by at least 2 people

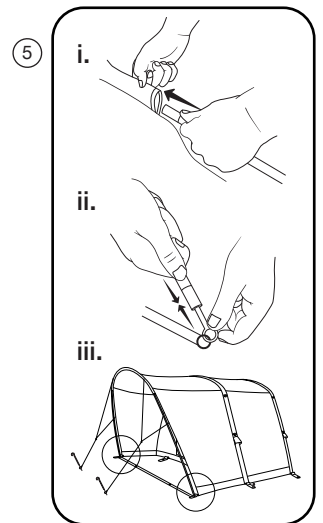
## PITCHING



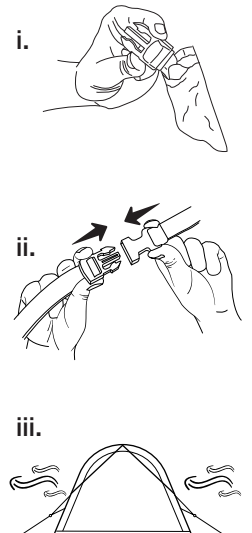
### Airspeed®



### Poles



### TBS® II



# CAPRI 400XL/500XL/600XL



**EN** - This tent should be taken down by at least 2 people

**CZ** - Tento stan by měl být sundán nejméně 2 osoby

**DE** - Dieses Zelt sollte von mindestens zwei Personen heruntergenommen werden

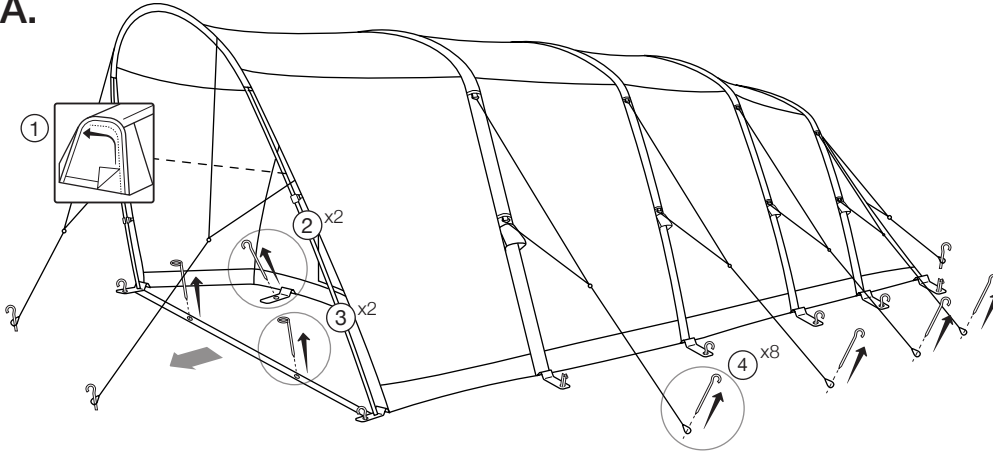
**FR** - Cette tente doit être prise par au moins 2 personnes

**IT** - Questa tenda deve essere assunta verso il basso da almeno 2 persone

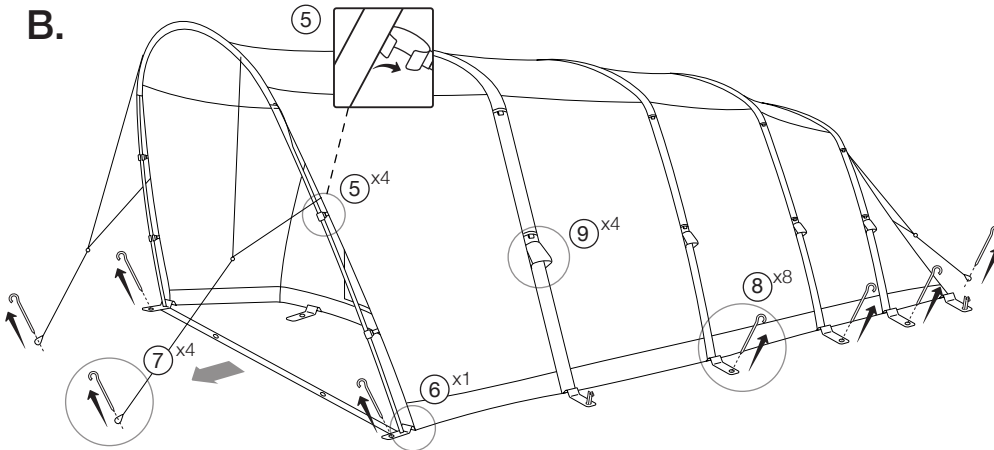
**NL** - Deze tent moet door minstens 2 personen worden genomen

## TAKING DOWN & PACKING

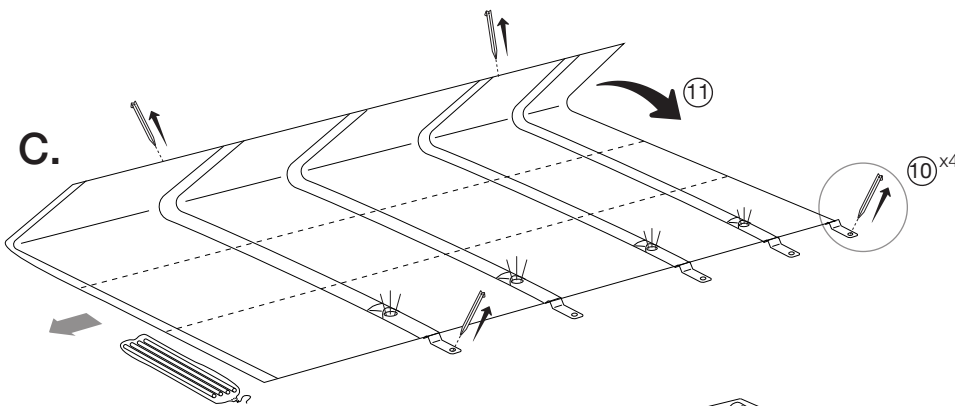
**A.**



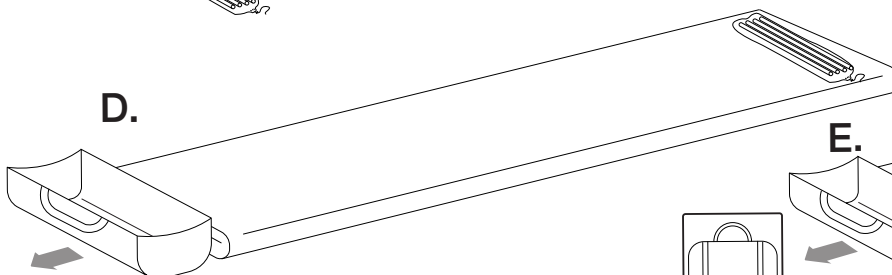
**B.**



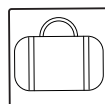
**C.**



**D.**

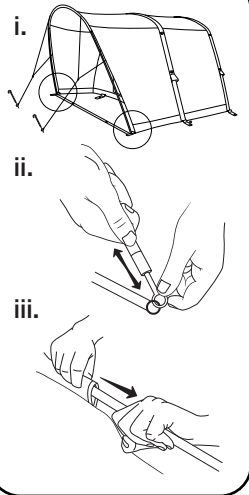


**E.**



### Poles

⑥



### Airspeed®

⑨

