

NO.	PART NUMBER	DESCRIPTION	QTY.
1	000-9739	FRAME, STL, 2020	1
2	000-3758	ISIS BB, NARROW, 62.5 X 103mm	1
3	000-5839	KIT, BELT GUARD, RIGHT, W/HDWR, GREY	1
4	000-3987	HDWR SHCS, M4X0.7 X 35MM, SS	4
5	000-4193	HDWR BHCS, M4X0.7 X 16MM, SS	2
6	000-3965	KIT, BELT GUARD, CAP, RIGHT, W/HDWR	1
7	000-5843	KIT, BELT GUARD, LEFT, W/HDWR, GREY	1
8	000-4163	HDWR SHCS, M4 X 0.7 X 16MM, SS	12
9	000-1448	M4 WASHER, NARROW	16
10	000-3964	KIT, BELT GUARD, CAP, LEFT, W/HDWR	1
11	000-3988	HDWR SHCS, M4X0.7 X 70MM, SS	2
12	000-1461	ASSY, RIGHT CRANK, BD, W/ CRANK BOLT	1
13	000-5702	KIT, RIGHT CRANK, W/HDWR	1
14	000-6805	RPS, PEDAL SET, W/WASHERS	1
15	000-1302	SCREW, CRANK, ASSY	2
16	000-5795	FLYWHL, BASE, BLANK	1
17	000-1476	CARBON BELT, 8MGT-1600-12	1
18	000-9700	KIT, VERTICAL SLEEVES, SC1.20	2
19	000-3926	CAP, EMERGENCY STOP	1
20	000-4001	HDWR FLAT SCREW, CROSS, M5 X 20MM, SS, TL	1
21	000-4029	KIT, WATER BOTTLE HOLDER, RT, W/HDWR	1
22	000-3990	HDWR WASHER, M4 X 12 X 1.4T	2
23	000-4030	KIT, WATER BOTTLE HOLDER, LT, W/HDWR	1
24	000-4321	KIT, NOSE CAP, SC1, W/HDWR	1
25	000-4239	KIT, BRAKE ADJ KNOB, BLACK, W/CAP&HDWR	1
26	000-3878	NUT, TOP CAP	1
27	000-3999	HDWR WASHER, 11 X 24 X 3T	1
28	000-7898	BRAKE ADJ SHAFT, STL 2019, W/PIN	1
29	000-3998	HDWR, SPRING PIN, 5 X 20MM, SS	1
30	000-3890	PUSH, W/INSERT	1

NO.	PART NUMBER	DESCRIPTION	QTY.
31	000-4427	ASSY, BRAKE ARM, BLACK	1
32	000-4032	KIT, BRAKE PIVOT HDWR 1	1
33	000-4084	SHOULDER BOLT, M4X0.7	4
34	000-7532	ASSY, FRONT STBLZR, STL, W/CLR WHLS	1
35	000-4306	ASSY, REAR STABLZR, STL	1
36	000-5507	KIT, STABILIZER HDWR, STL	4
37	000-4192	HDWR BHCS, M4X0.7 X 8MM, SS,	2
38	000-7890	ASSY, LOCKING PIN, STAGES, STL	2
39	000-0183	WASHER, POP-PIN, STAINLESS	2
40	000-3990	HDWR WASHER, M4 X 12 X 1.4T	3
41	000-9696	ASSM, HB, AERO, SC1.20	1
42	000-9697	ASSY, SEATPOST, AERO, SC1.20	1
43	000-9202	ASSY, SEAT CARRIAGE, EXT F/A, STD SADDLE POST	1
44	000-5561	KIT, ADJ KNOB, BLACK, W/CAP&HDWR	1
45	000-4236	CAP, ADJ KNOB, BLACK	1
46	000-3975	HDWR SHCS M5X0.8 X 16MM, SS, TL	1
47	000-1051	THRUST WASHER, 30MM OD	1
48	000-3974	HDWR PAN SCREW, CROSS, M4 X 8MM, SS, TL	12
49	000-3967	KIT, FORE/AFT FLANGE	1
50	000-3976	HDWR WASHER, 8.3 X 16 X 1.5T	1
51	000-7835	SHAFT, WEDGE ADJ, SEAT, EXT	1
52	000-5935	WEDGE, UPPER, SHORT	1
53	000-5937	WEDGE, BOTTOM, SHORT, W/INSERT	1
54	000-7612	SADDLE, STAGES, 2018, BLACK	1
55	000-5997	STAGES RHYTHM BAR, EXT, BLACK	1
56	000-4444	KIT, END CAP, W/HDWR	1
57	000-7867	COVER, TOP TUBE, SC1.19	1
58	000-4050	LEFT CRANK, W/CRANK BOLT	1

* ASSEMBLY SHIPPED COMPLETE
COMPONENT DRAWINGS ON FOLLOWING PAGES



DESIGNED Eric D. Golesh

DRAWN

DATE

ALL APPLICABLE STAGES CYCLING STANDARDS AND SPECIFICATIONS APPLY.

PART NO. 971-0015

TITLE: SC1.20

REV. A02

This document is the property of Stages Cycling, LLC. It may not be reproduced in whole or part, provided to third parties, or used for any purposes other than the performance of work for Foundation Fitness, LLC without written authorization. All rights are reserved, including copyrights.

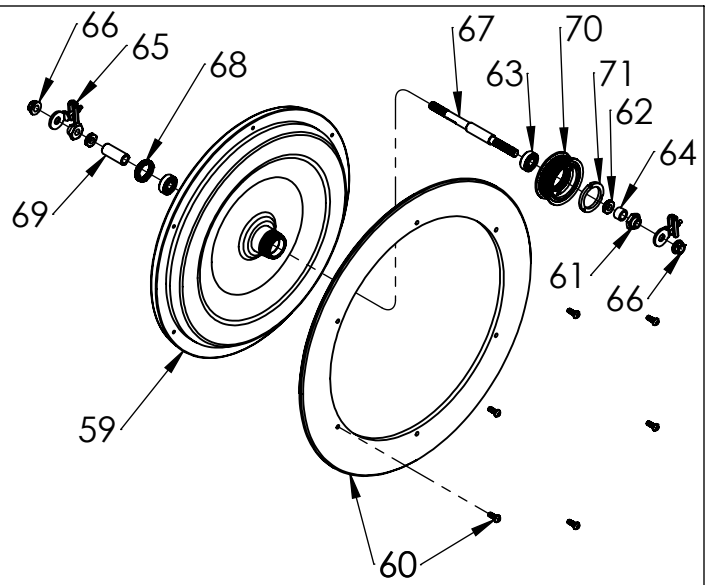
SIZE A

SCALE: 1:1

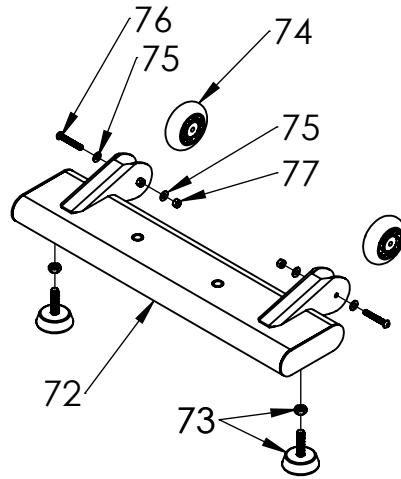
SHEET 2 OF 4

METRIC_A_REV A

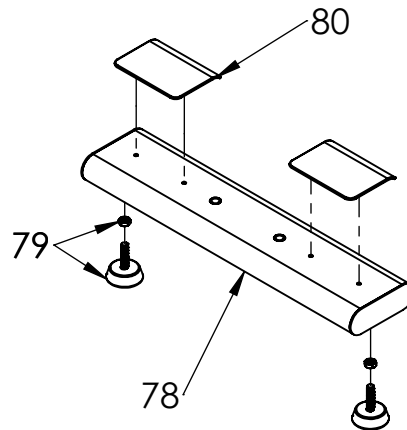
ITEM NO.	PART NUMBER	DESCRIPTION	QTY.
59	000-9568	ASSY, FLYWHEEL_HUB, FIXED, CAP NUT	1
60	000-4035	KIT, BRAKE RING, W/HDWR	1
61	000-1804	FLANGED LOCK NUT, FLYWHEEL	2
62	000-3510	JAM NUT, 3/8-26, T4	2
63	000-3982	BEARING, 6000	2
64	000-3826	SPACER, AXLE	1
65	000-3512	ASSY, BELT ADJUSTER	2
66	000-1807	AXLE NUT, 3/8-26	2
67	000-9562	AXLE, FIXED, CAP NUT	1
68	000-9563	BEARING CAP NUT	1
69	000-9590	SQUARE FLANGED LOCK NUT, FLYWHEEL	1
70	000-1471	ASSY, SMALL PULLEY, 24T	1
71	000-0089	SPROCKET, LOCKRING	1



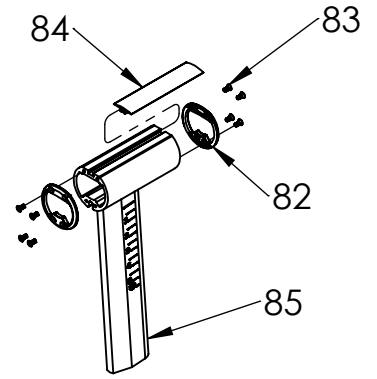
ITEM NO.	PART NUMBER	DESCRIPTION	QTY.
72	000-4309	WLDMENT, FRONT STBLZR, STL	1
73	000-3521	ASSY, RUBBER FOOT	2
74	000-4014	HDWR WASHER, 6.4 X 13.5 X 1.2T, SS	2
75	000-4016	HDWR BHCS, M6X1.0 X 40MM, SS, TL	4
76	000-4015	HDWR NUT, M6X1.0, SS	2
77	000-0030	TRANSPORT WHEEL, TRANSPARENT	2



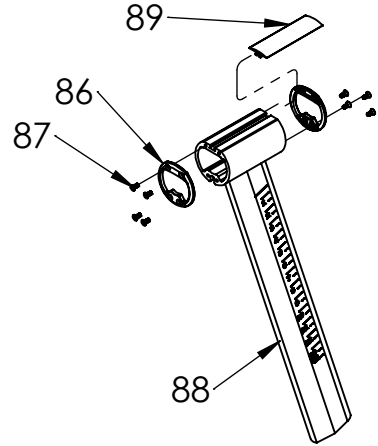
ITEM NO.	PART NUMBER	DESCRIPTION	QTY.
78	000-4305	WLDMT, REAR STABLZR, STL	1
79	000-3521	ASSY, RUBBER FOOT	2
80	000-4314	STABILIZER GUARD, ASSEMBLY	2



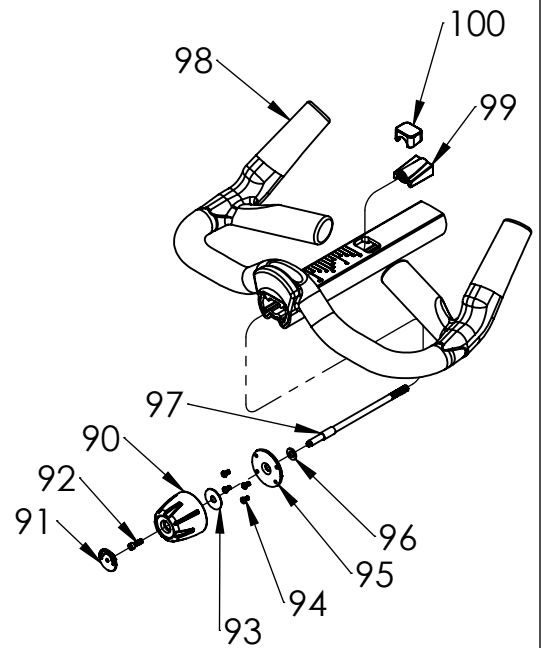
ITEM NO.	PART NUMBER	DESCRIPTION	QTY.
81	000-4038	WELDMENT, HB STEM, AERO, SC1.20	2
82	000-4051	WEATHER STRIP, SEAT	1
83	000-3978	KIT, SEAT END CAP, W/HDWR	4
84	000-1098	WEATHER STRIP, SEAT	1
85	000-9694	WELDMENT, HB STEM, AERO, SC1.20	1




ITEM NO.	PART NUMBER	DESCRIPTION	QTY.
86	000-9695	WELDMENT, SEATPOST, AERO, SC1.20	2
87	000-3978	KIT, SEAT END CAP, W/HDWR	4
88	000-7836	WEATHER STRIP, SEAT, SHORT	1
89	000-7836	WEATHER STRIP, SEAT, SHORT	1



ITEM NO.	PART NUMBER	DESCRIPTION	QTY.
90	000-5561	KIT, ADJ KNOB, BLACK, W/CAP&HDWR	1
91	000-4236	CAP, ADJ KNOB, BLACK	1
92	000-3975	HDWR SHCS M5X0.8 X 16MM, SS, TL	1
93	000-1051	THRUST WASHER, 30MM OD	1
94	000-3974	HDWR PAN SCREW, CROSS, M4 X 8MM, SS, TL	4
95	000-3967	KIT, FORE/AFT FLANGE	1
96	000-3976	HDWR WASHER, 8.3 X 16 X 1.5T	1
97	000-5938	SHAFT, WEDGE ADJ, HB, EXT	1
98	000-5998	STAGES RHYTHM BAR, EXT	1
99	000-5937	WEDGE, BOTTOM, SHORT, W/INSERT	1
100	000-5935	WEDGE, UPPER, SHORT	1



 5335 STERLING DRIVE, BOULDER, CO 80301	DESIGNED <i>Eric D. Golesh</i>	PART NO. 971-0015	
	DRAWN DATE	TITLE: SC1.20	
<small>ALL APPLICABLE STAGES CYCLING STANDARDS AND SPECIFICATIONS APPLY.</small>	REV. A02	SIZE A	SCALE: 1:1
<small>This document is the property of Stages Cycling, LLC. It may not be reproduced in whole or part, provided to third parties, or used for any purposes other than the performance of work for Foundation Fitness, LLC without written authorization. All rights are reserved, including copyrights.</small>		SHEET 4 OF 4	METRIC_A_REV A