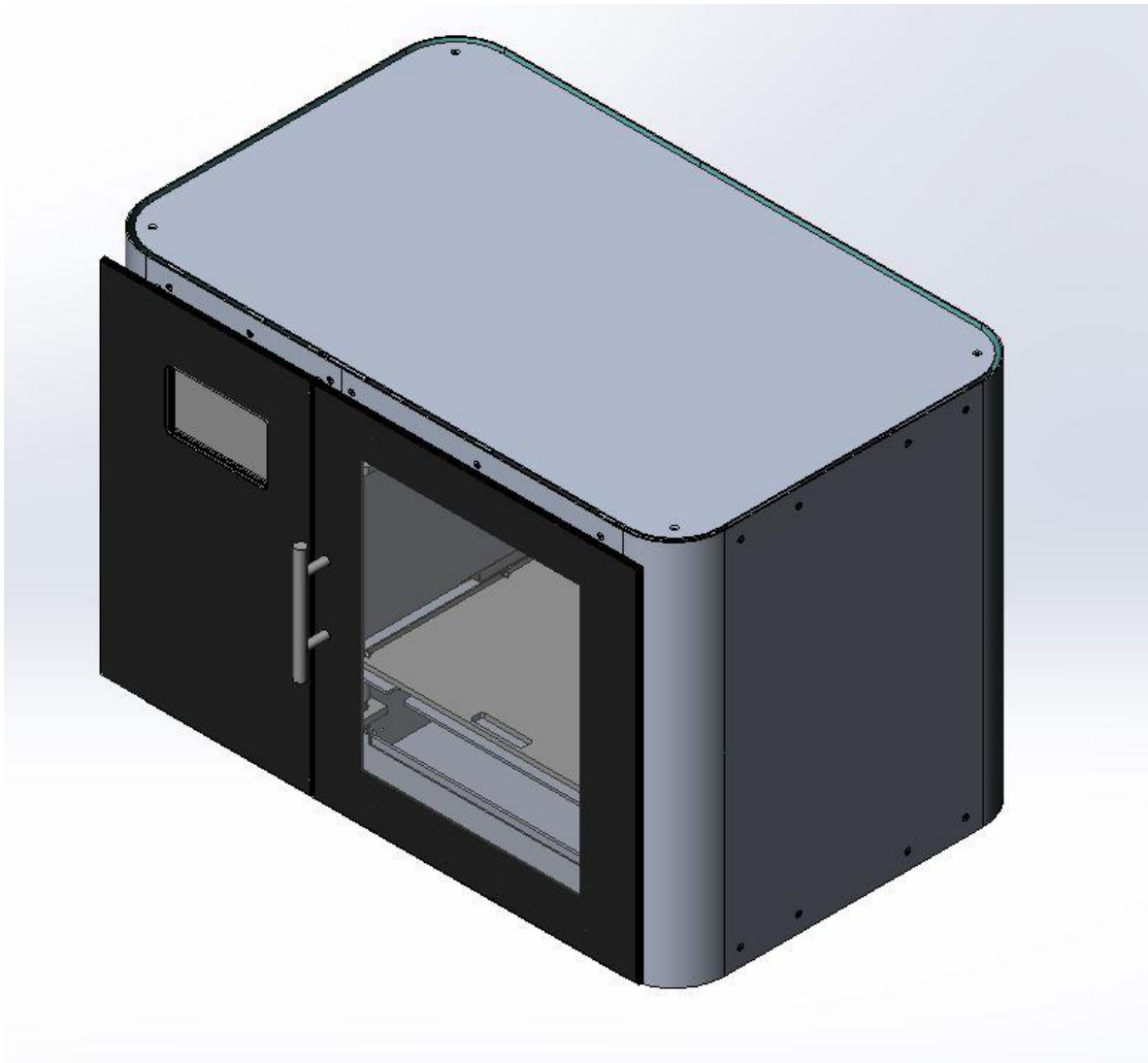




Xeed V2 DATASHEET V01-08

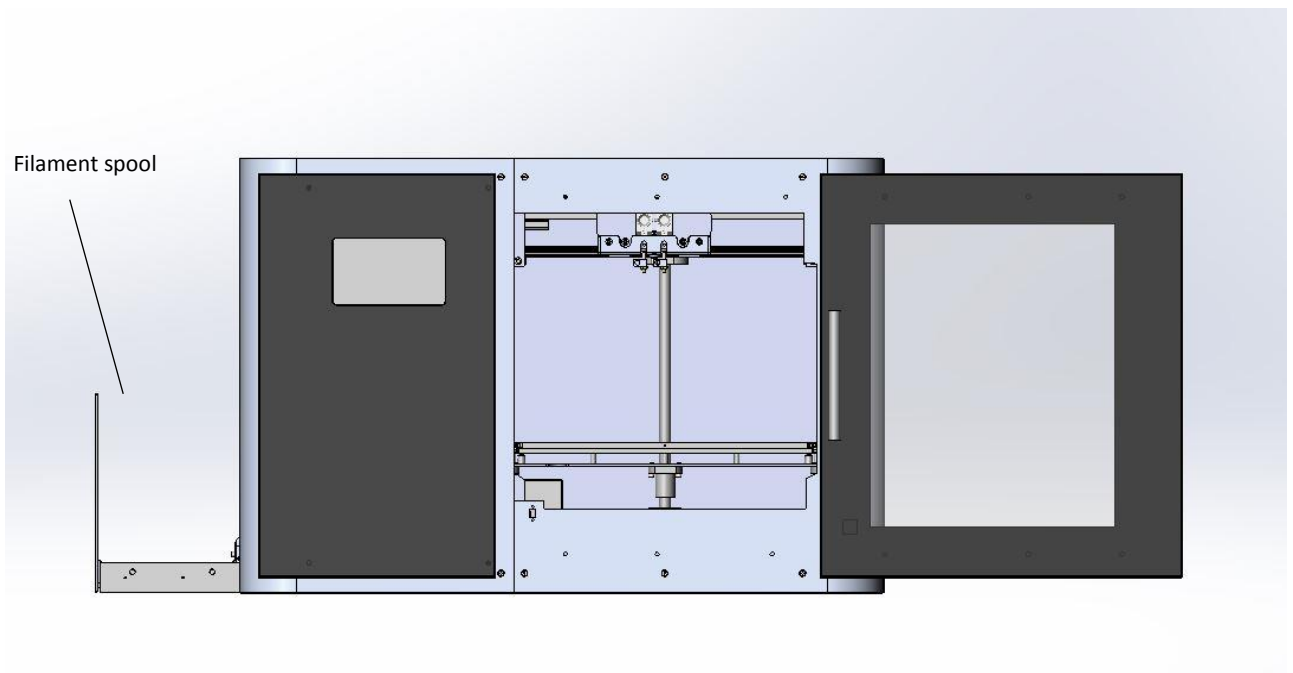
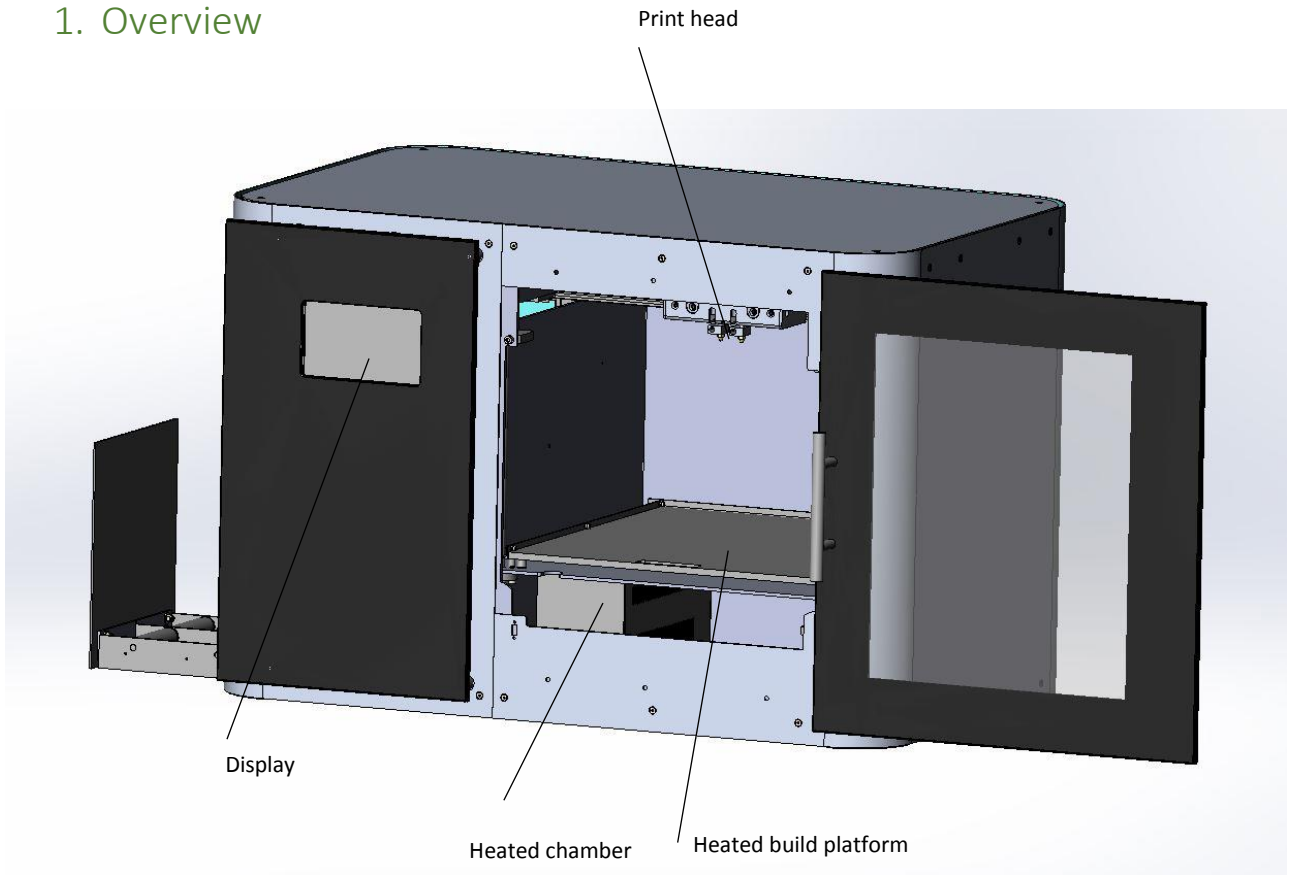


Contents

1. Overview	2
2. Technical specifications	3
3. Non-disclosure	3



1. Overview



2. Technical specifications

Printer Model	Xeed	Approval Signature	
Document Version	V01-08	Date signed	

Specification	Metric						Imperial					
Physical dimensions (DWH)	580	x	900	x	640	mm	23	x	35	x	25	inch
Printer Weight	70					kg	154					lbs
Input voltage range*	88-133VAC / 170-264VAC											
Input frequency	47 - 63 Hz											
Power consumption	1800W											
Build size single extruder (DWH)	220	x	280	x	230	mm	8.7	x	11.0	x	9.1	inch
Build size dual extruder (DWH)	220	x	250	x	230	mm	8.7	x	9.8	x	9.1	inch
Build volume	14.2					L	3.1					gall.
Heated bed max temp	80					°C	176					°F
Heated Chamber	Yes											
Hot end Max temp	275					°C	527					°F
Number of extruders	2											
Extruder size(s)	0.35	,			mm	1.38E-02	,				inch	
Filament size	1.75					mm	6.89E-02					inch
Layer thickness	0.01	-	0.35		mm	3.94E-04	-	1.38E-02			inch	
Max print speed (DW)	10800	$\frac{\text{mm}}{\text{min}}$	180	$\frac{\text{mm}}{\text{s}}$	-	425	$\frac{\text{inch}}{\text{min}}$	7	$\frac{\text{inch}}{\text{s}}$			
Max. travel speed (DW)	21000	$\frac{\text{mm}}{\text{min}}$	350	$\frac{\text{mm}}{\text{s}}$	-	827	$\frac{\text{inch}}{\text{min}}$	14	$\frac{\text{inch}}{\text{s}}$			
Stepper motors	1.8° Step angle with 1/32 micro stepping											
Positioning accuracy (DW)	0.018					mm	7.09E-04					inch
Positioning accuracy (H)	0.010					mm	3.94E-04					inch
Body/frame construction	Aluminium Framework											
Heated bed construction	High grade glass, or granite composite (optional)											
Automatic Printbed Z-levelling	Yes											
Ethernet connection	Yes											
Wireless	Yes											
Internal OS	Linux											
USB standalone format	.Gcode format											
USB connection to computer	None											
Printable materials (* is experimental)	PLA, ABS, HIPS, Flex*, Nylon*, Hybrid*, Woodfill*, Carbon*											

DWH: Depth, Width, Height. Coordinate system reference Y, X, Z

*Power input is set by Leapfrog, customers cannot change power input between 230/110V



3. Non-disclosure

This document, and parts of this document including images, drawings and schematics, remain property of Leapfrog BV and may not be distributed, copied digitally, photocopied, photographed or copied in any other way. All information described in this document is classified and may not be discussed or negotiated with third parties without express written permission of Leapfrog BV.

The recipient(s) of this document is (are) aware of this confidentiality and agree to the above.

Violating this non-disclosure may result in penalties decided by Dutch law and/or international corporate law.