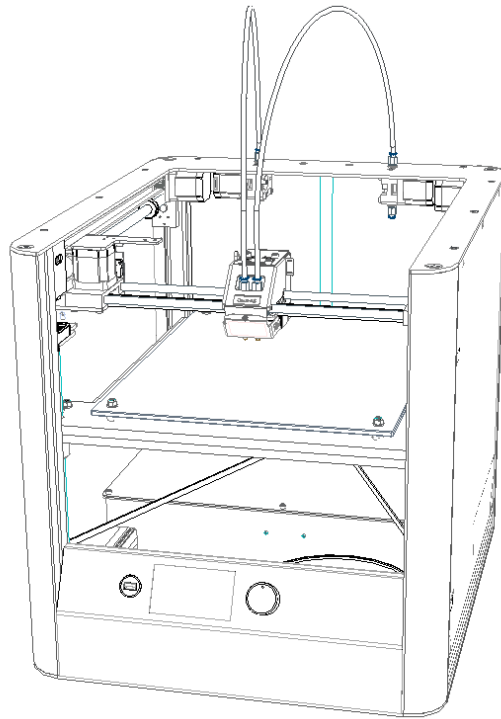




# Leapfrog Creatr HS

## DATASHEET

### V01-06

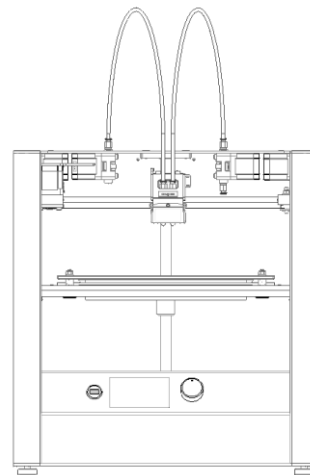
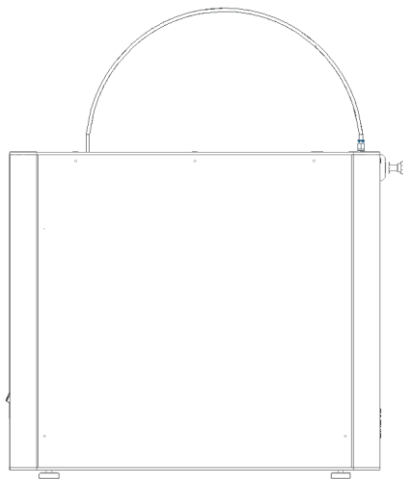
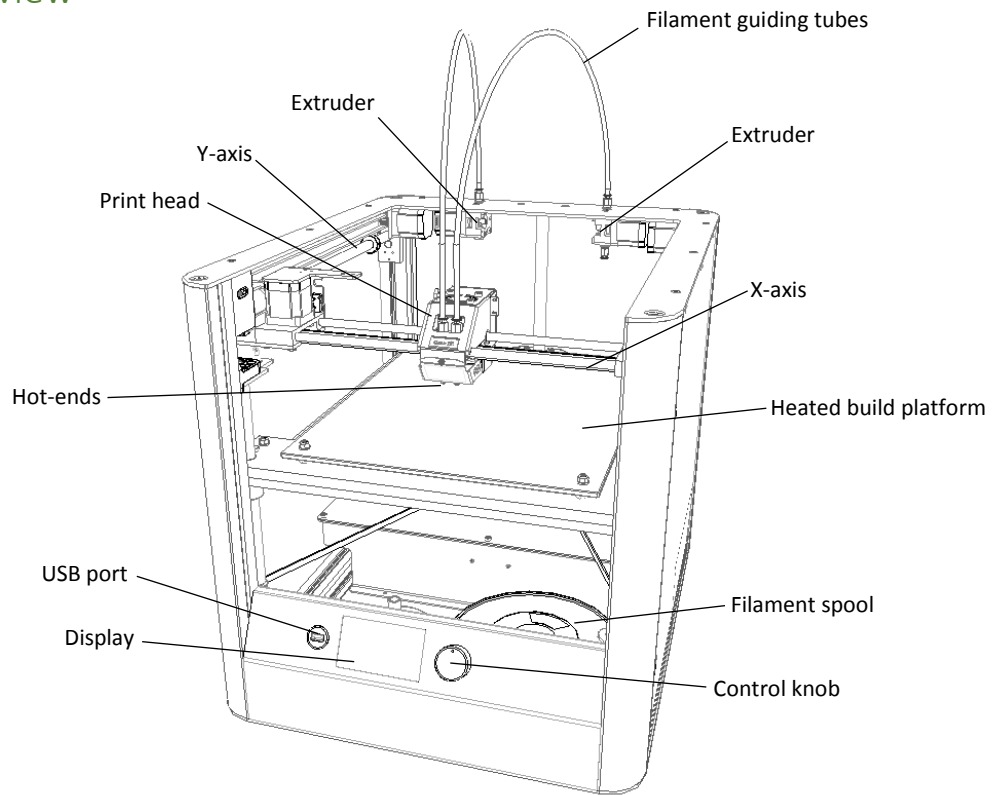


### Contents

1. Overview .....	2
2. Technical specifications .....	3
3. Non-disclosure .....	4



## 1. Overview



## 2. Technical specifications

Printer Model	Creatr HS	Approval Signature	
Document Version	V01-06	Date signed	

Specification	Metric						Imperial					
Physical dimensions (DWH)	633	x	486	x	523	mm	25	x	19	x	21	inch
Printer Weight	32					kg	71					lbs
Input voltage range*	88-264VAC											
Input frequency	47 - 63 Hz											
Power consumption	395W											
Build size single extruder (DWH)	280	x	270	x	180	mm	11.0	x	10.6	x	7.1	inch
Build size dual extruder (DWH)	280	x	240	x	180	mm	11.0	x	9.4	x	7.1	inch
Build volume	13.6					L	3.0					gall.
Heated bed max temp	90					°C	194					°F
Heated Chamber	No											
Hot end Max temp	275					°C	527					°F
Number of extruders	2											
Extruder size(s)	0.35	,			mm	1.38E-02	,				inch	
Filament size	1.75					mm	6.89E-02					inch
Layer thickness	0.02	-	0.35		mm	7.87E-04	-	1.38E-02			inch	
Max print speed (DW)	18000	$\frac{\text{mm}}{\text{min}}$	300	$\frac{\text{mm}}{\text{s}}$	-	709	$\frac{\text{inch}}{\text{min}}$	12	$\frac{\text{inch}}{\text{s}}$			
Max. travel speed (DW)	24000	$\frac{\text{mm}}{\text{min}}$	400	$\frac{\text{mm}}{\text{s}}$	-	945	$\frac{\text{inch}}{\text{min}}$	16	$\frac{\text{inch}}{\text{s}}$			
Stepper motors	1.8° Step angle with 1/32 micro stepping											
Positioning accuracy (DW)	0.017					mm	6.65E-04					inch
Positioning accuracy (H)	0.020					mm	7.87E-04					inch
Body/frame construction	Aluminum Extrusion Profiles											
Heated bed construction	High grade glass											
Printbed Z-levelling	4-knob hand levelling											
Ethernet connection	No											
Wireless	No											
Internal OS	Linux											
USB standalone format	.Gcode format											
USB connection to computer	Virtual COM port											
Printable materials	PLA, ABS, PET-G, HIPS, Flex, Nylon, Hybrid, Wood, Laybrick, Carbon, PVA											

DWH: Depth, Width, Height. Coordinate system reference Y, X, Z

\*On models prior to serial number HS-1511-0028 power input is set by Leapfrog and customers cannot change power input between 230/110V



### 3. Non-disclosure

This document, and parts of this document including images, drawings and schematics, remain property of Leapfrog BV and may not be distributed, copied digitally, photocopied, photographed or copied in any other way. All information described in this document is classified and may not be discussed or negotiated with third parties without express written permission of Leapfrog BV.

The recipient(s) of this document is (are) aware of this confidentiality and agree to the above.

Violating this non-disclosure may result in penalties decided by Dutch law and/or international corporate law.