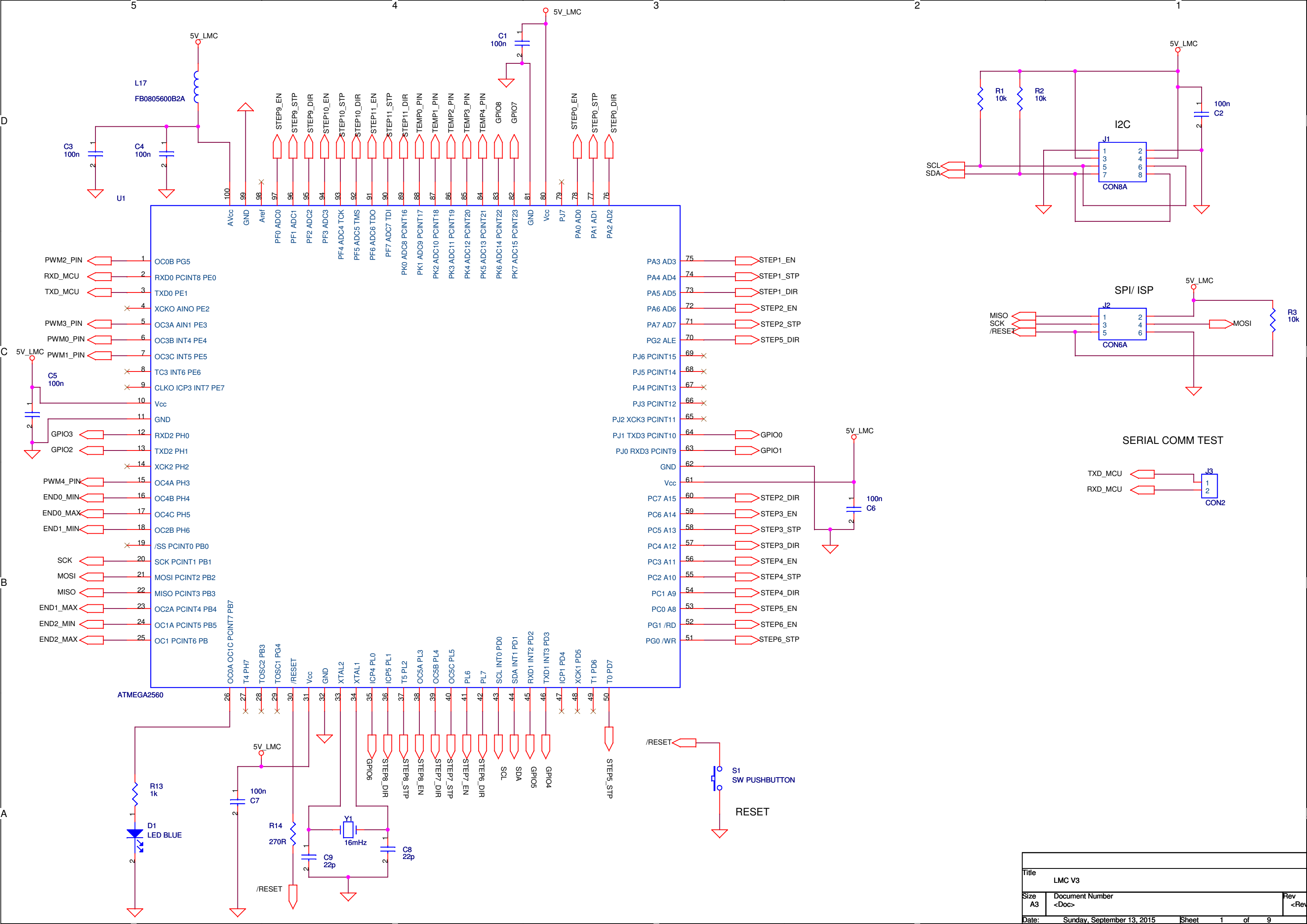
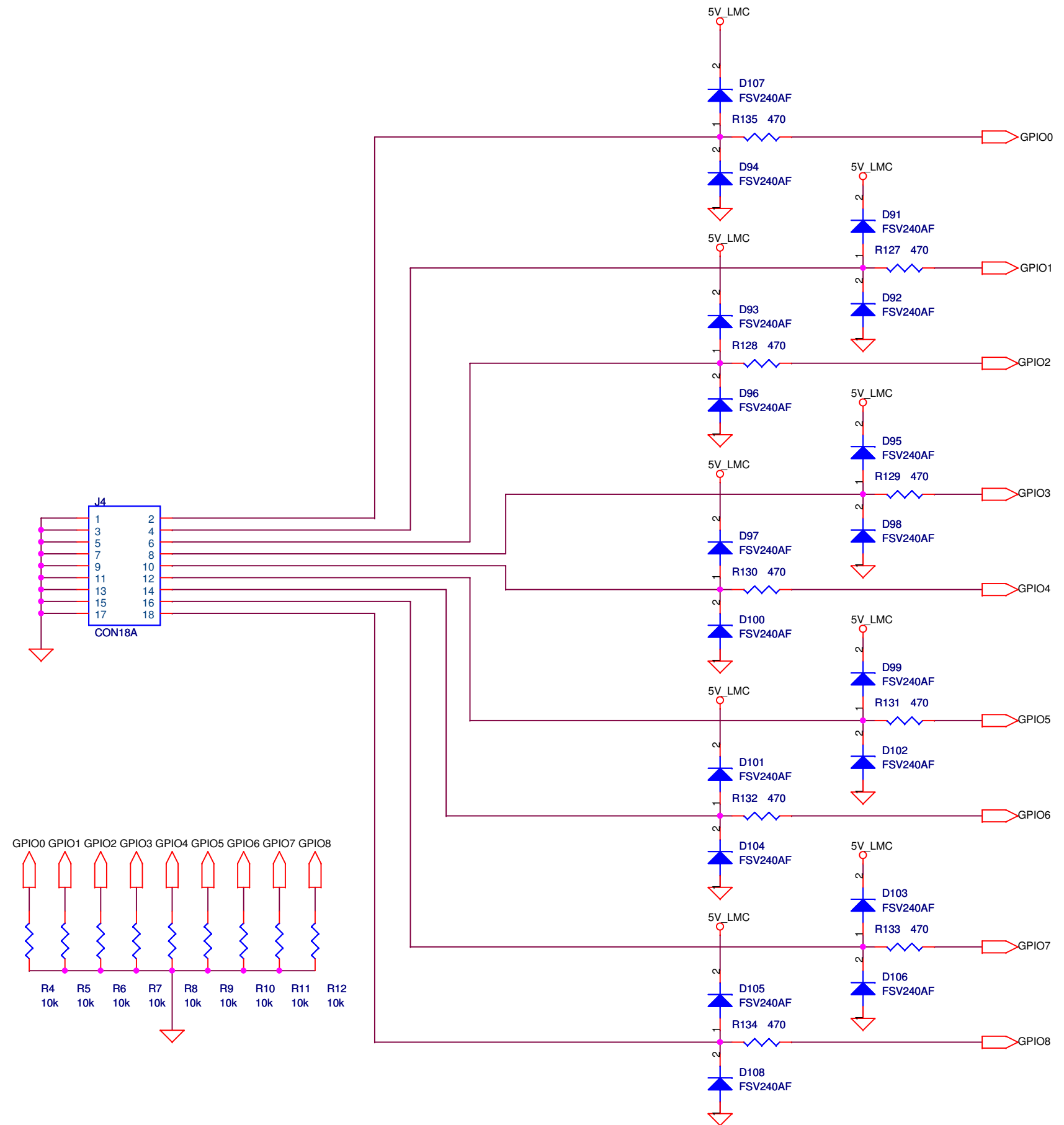
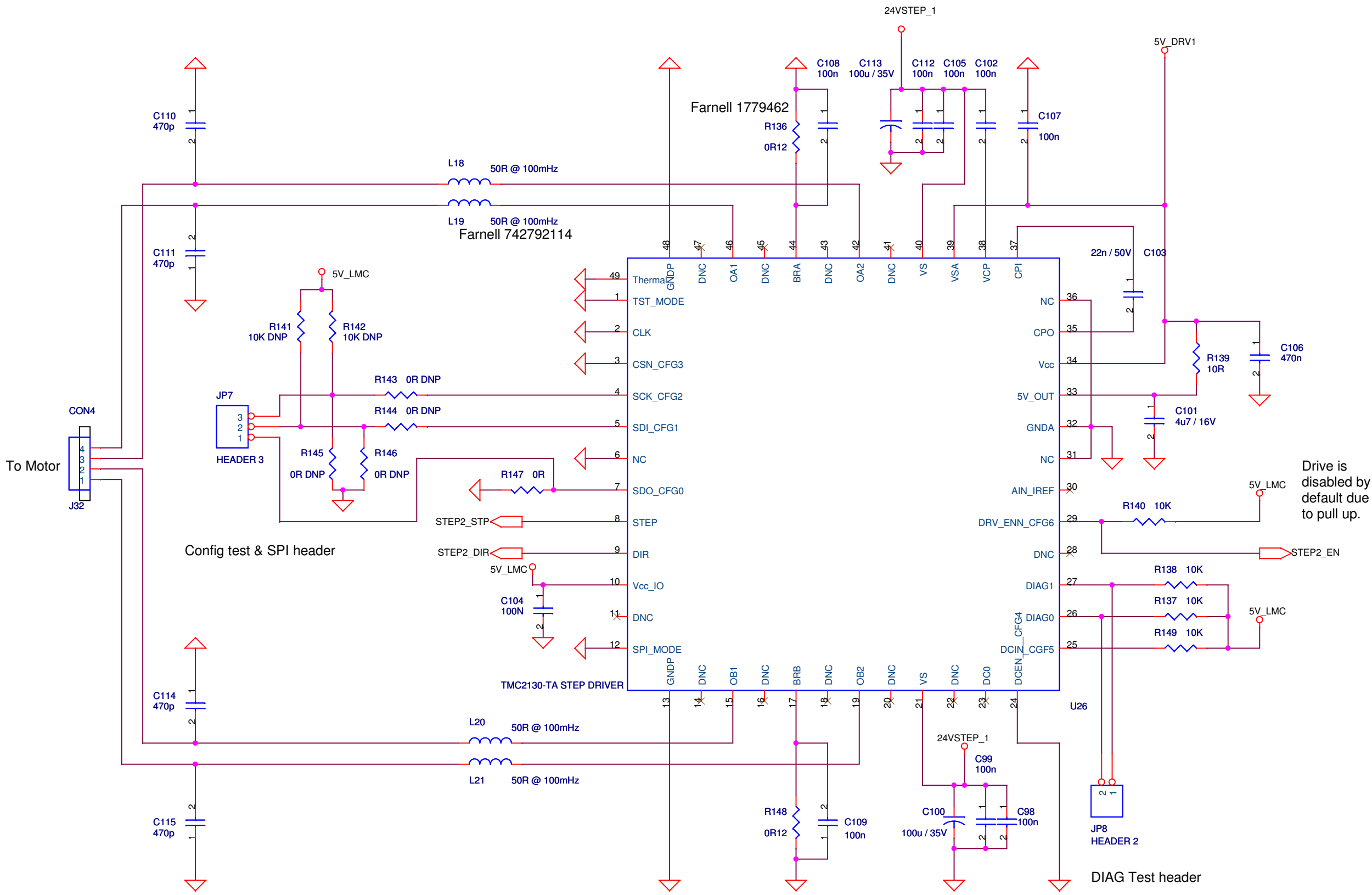


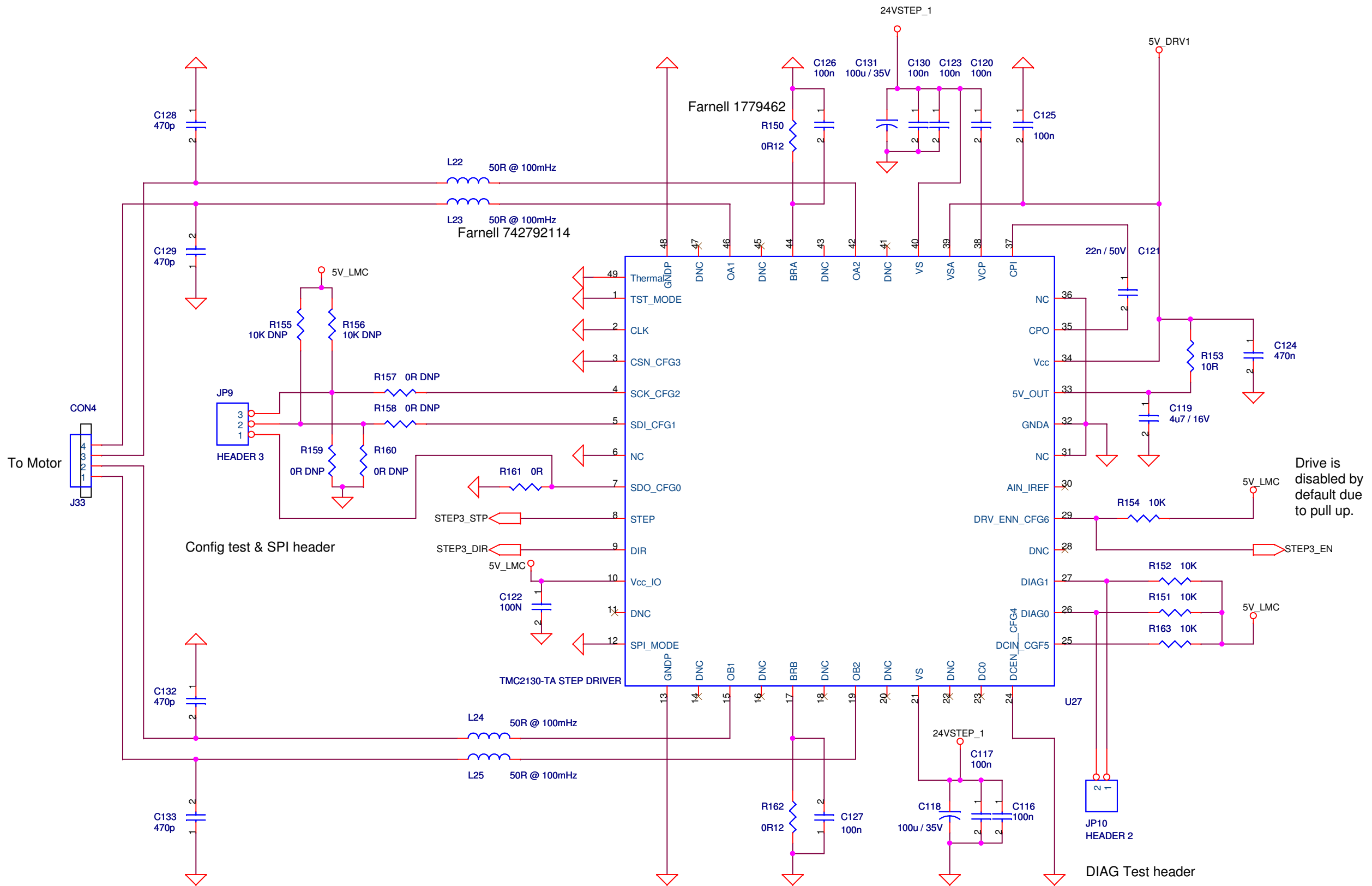
Drive is disabled by default due to pull up.



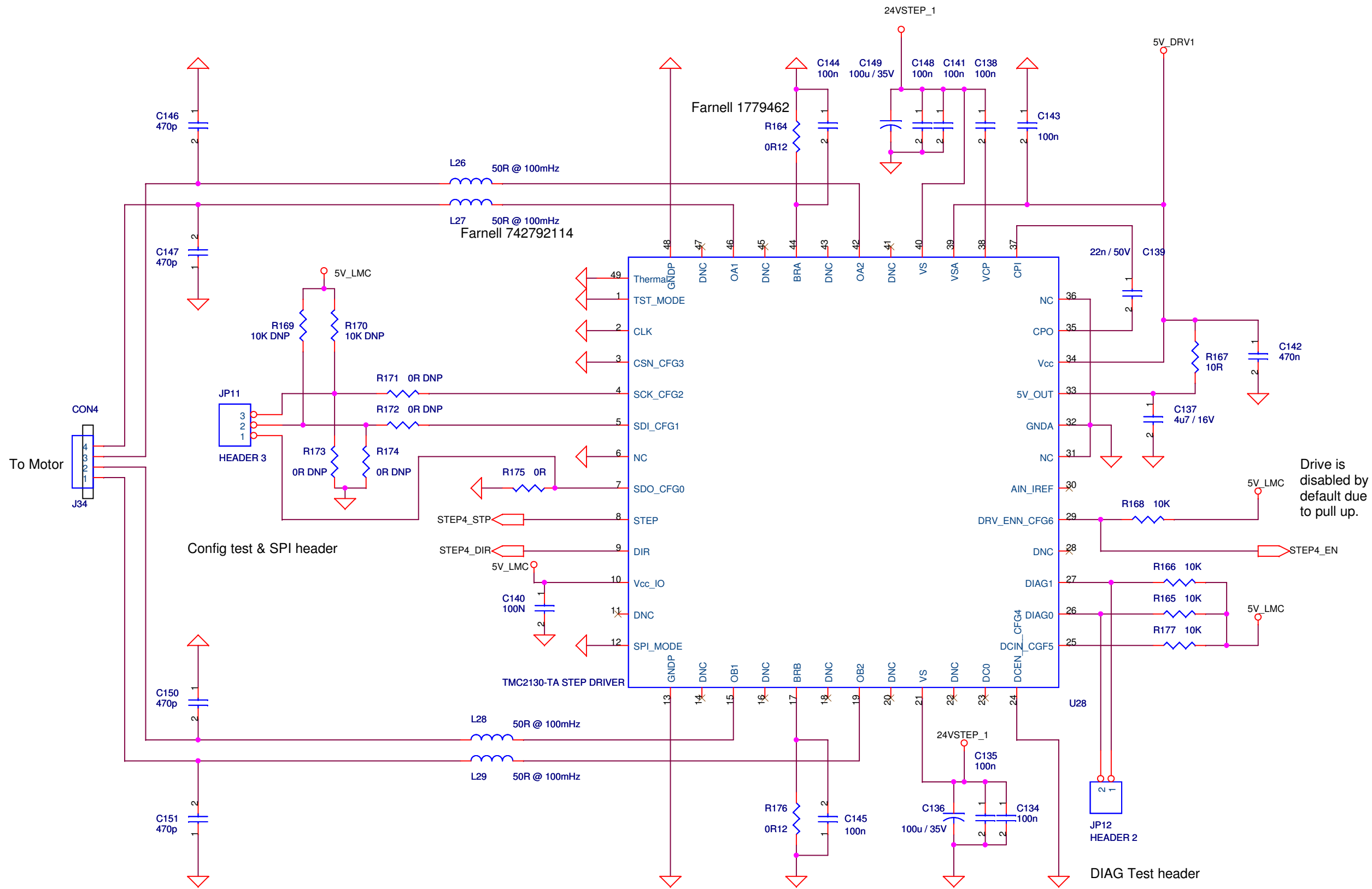
Title			LMC V3		
Size	A3	Document Number	<Doc>		Rev
Date:	Sunday, September 13, 2015		Sheet	1	of 9





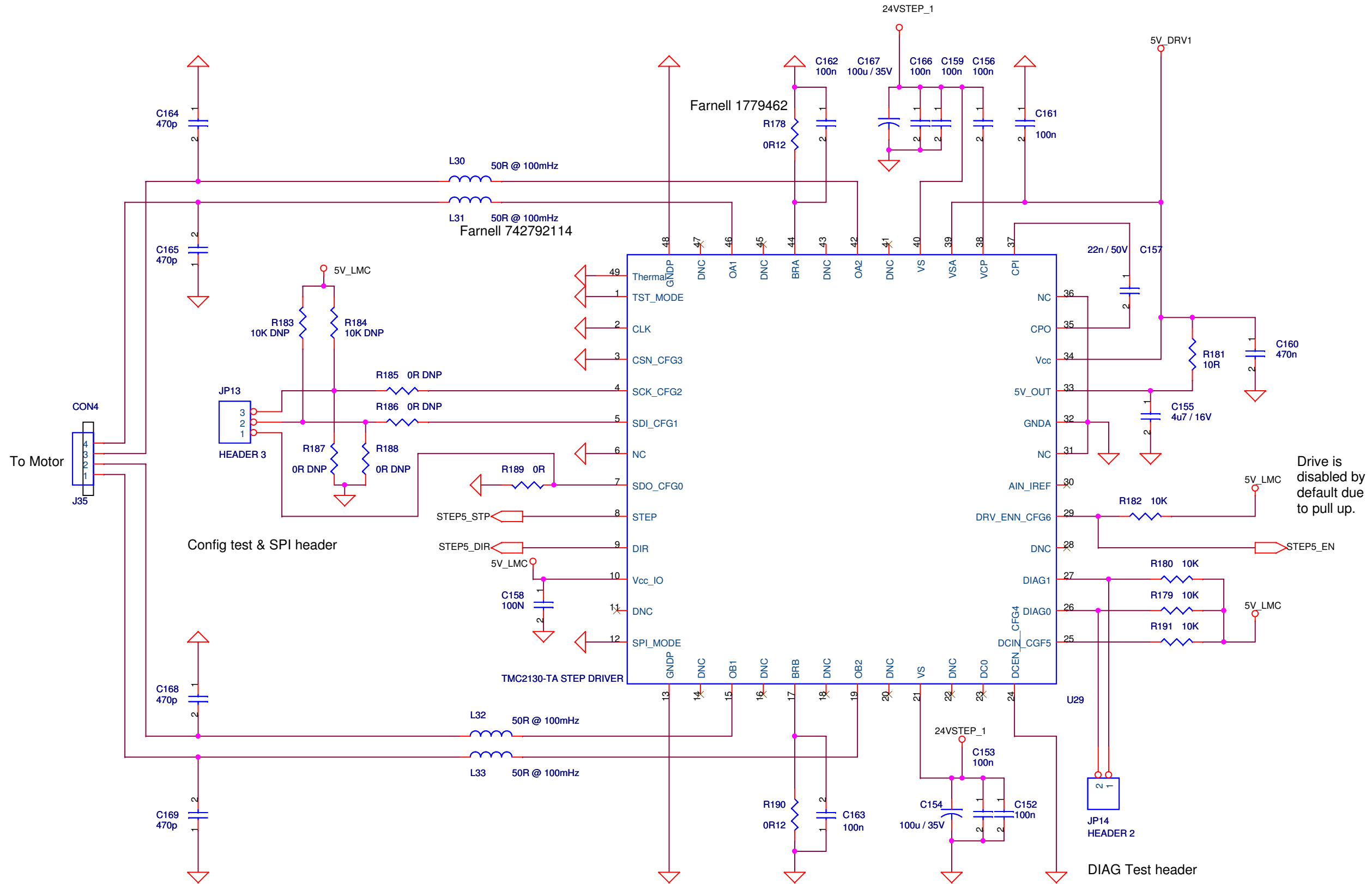


Title		
LMC V3		
Size	Document Number	Rev
A3	<Doc>	<Rev>
Date:	Sunday, September 13, 2015	Sheet 1 of 1

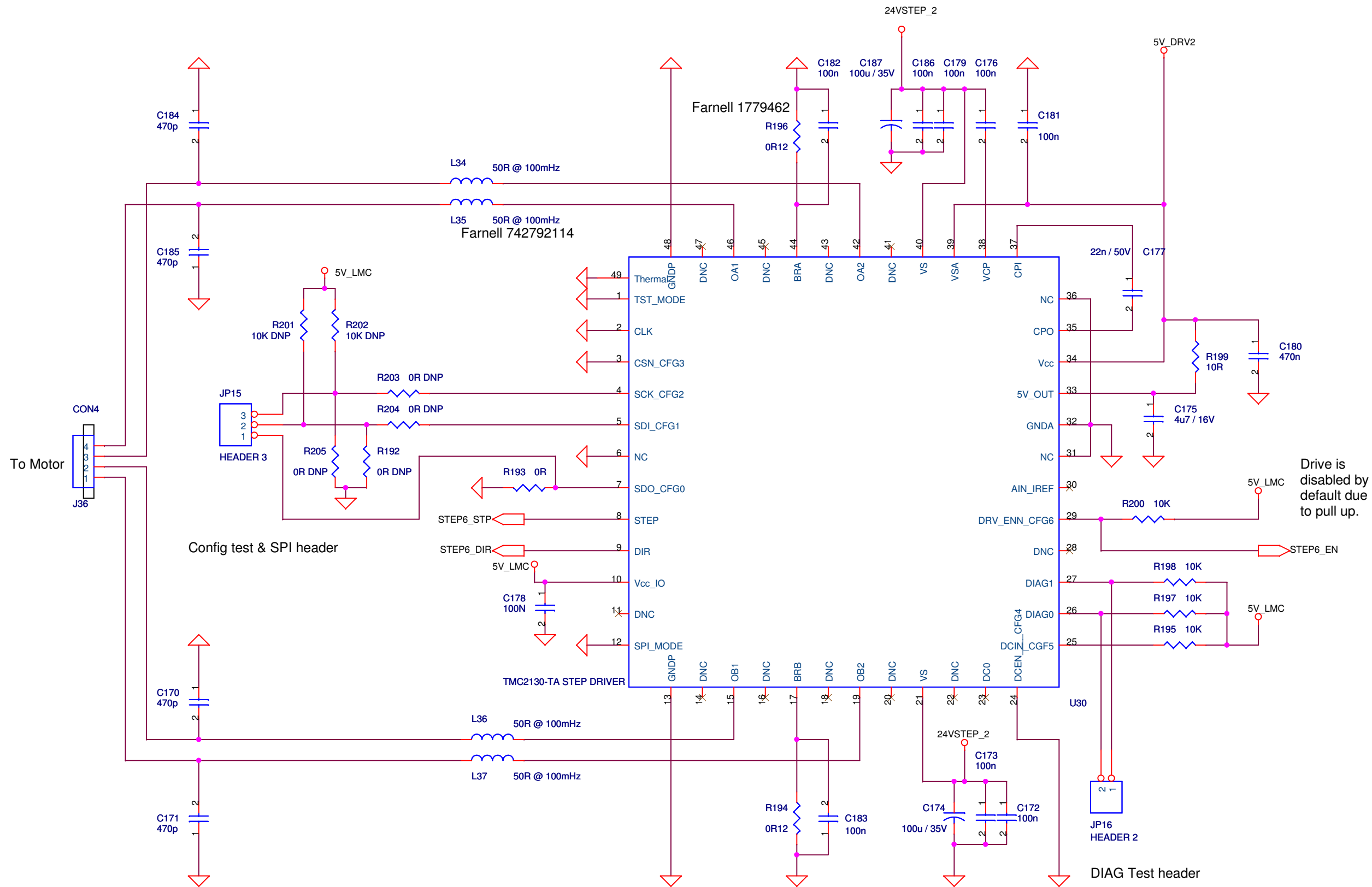


Drive is disabled by default due to pull up.

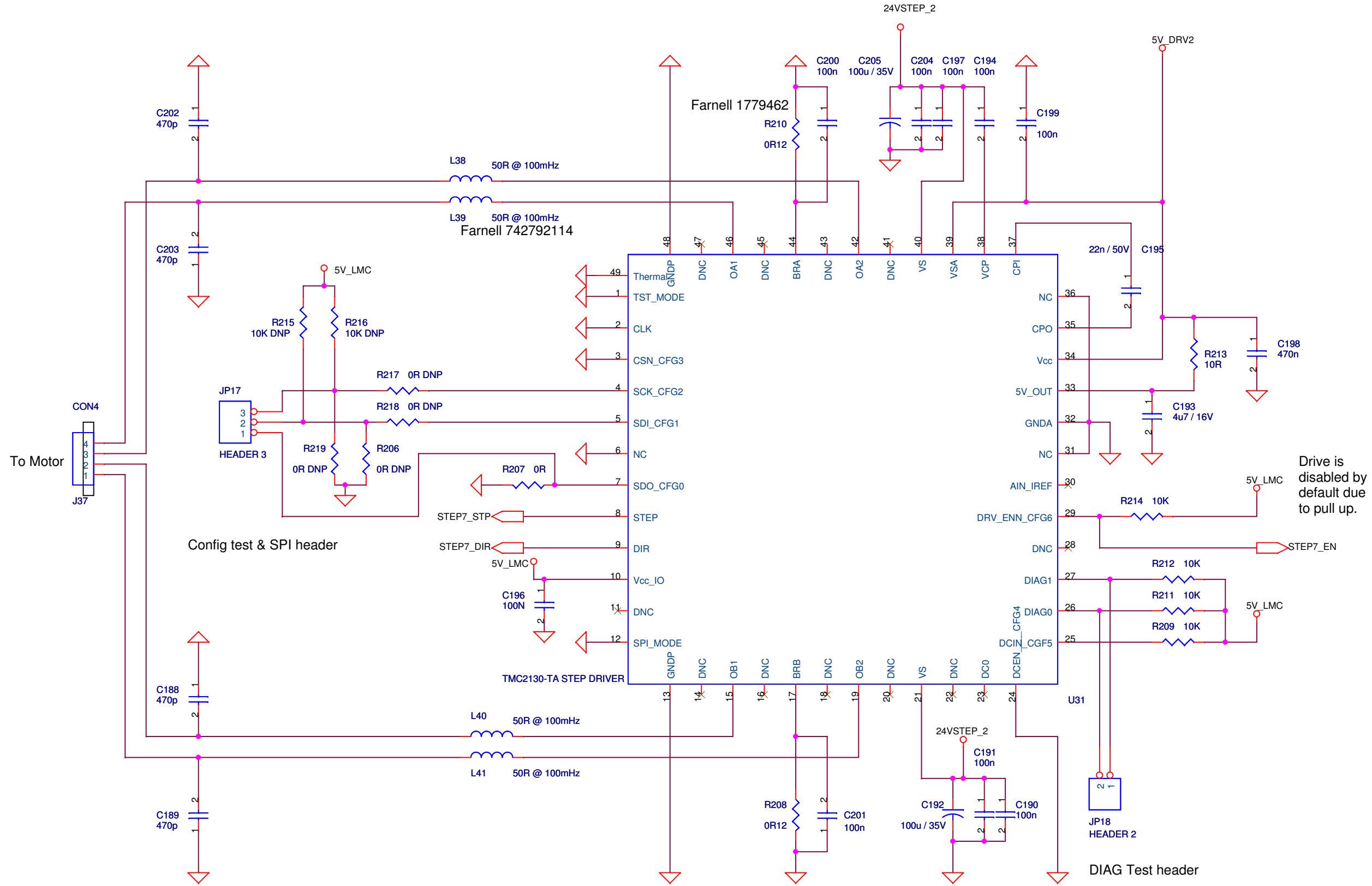
Title		LMC V3	
Size		A3	
Date:		Sunday, September 13, 2015	
Sheet		1 of 1	
Rev		<Rev>	
Document Number		<Doc>	
Date:		Sunday, September 13, 2015	
Sheet		1 of 1	



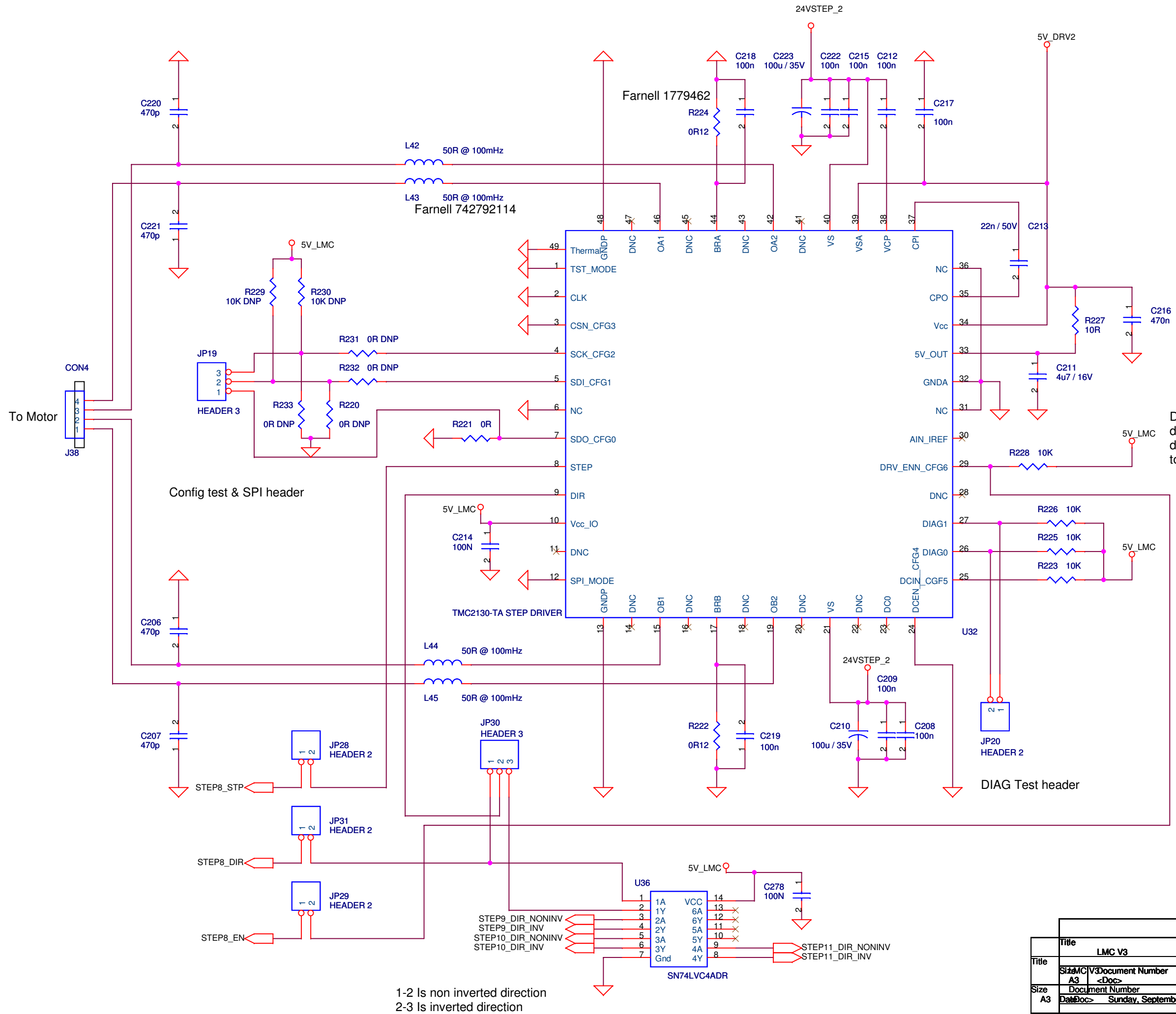
Title		
LMC V3		
Size	Document Number	Rev
A3	<Doc>	<Rev>
Date:	Sunday, September 13, 2015	Sheet 1 of 1



Title		LMC V3	
Size	A3	Document Number	<Doc>
Date:	Sunday, September 13, 2015	Sheet	1 of 1
Rev	<Rev>	Rev	<Rev>



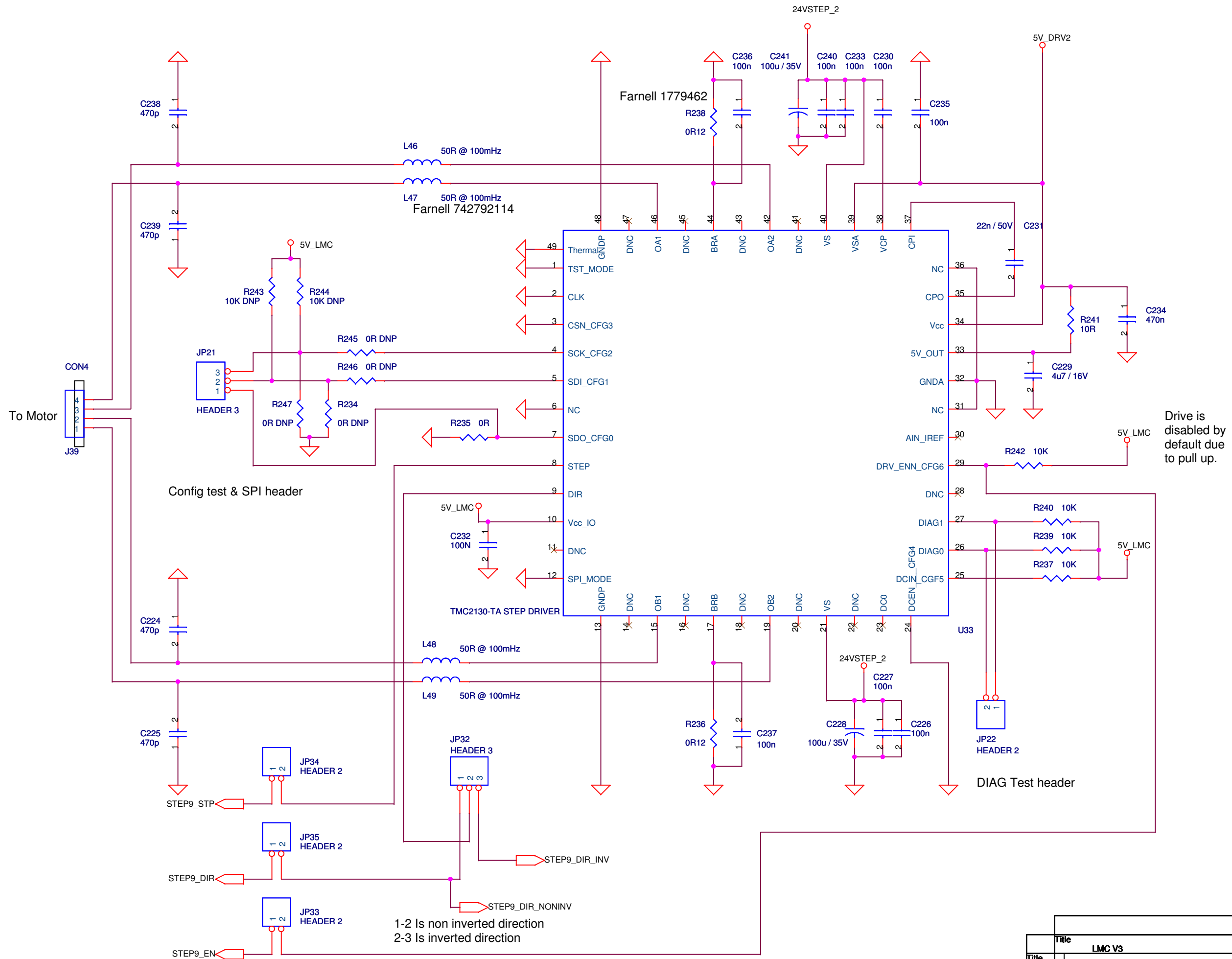
Title		
LMC V3		
Size	Document Number	Rev
A3	<Doc>	<Rev>
Date: LMC Monday, September 13, 2015		
Sheet	1	of 1



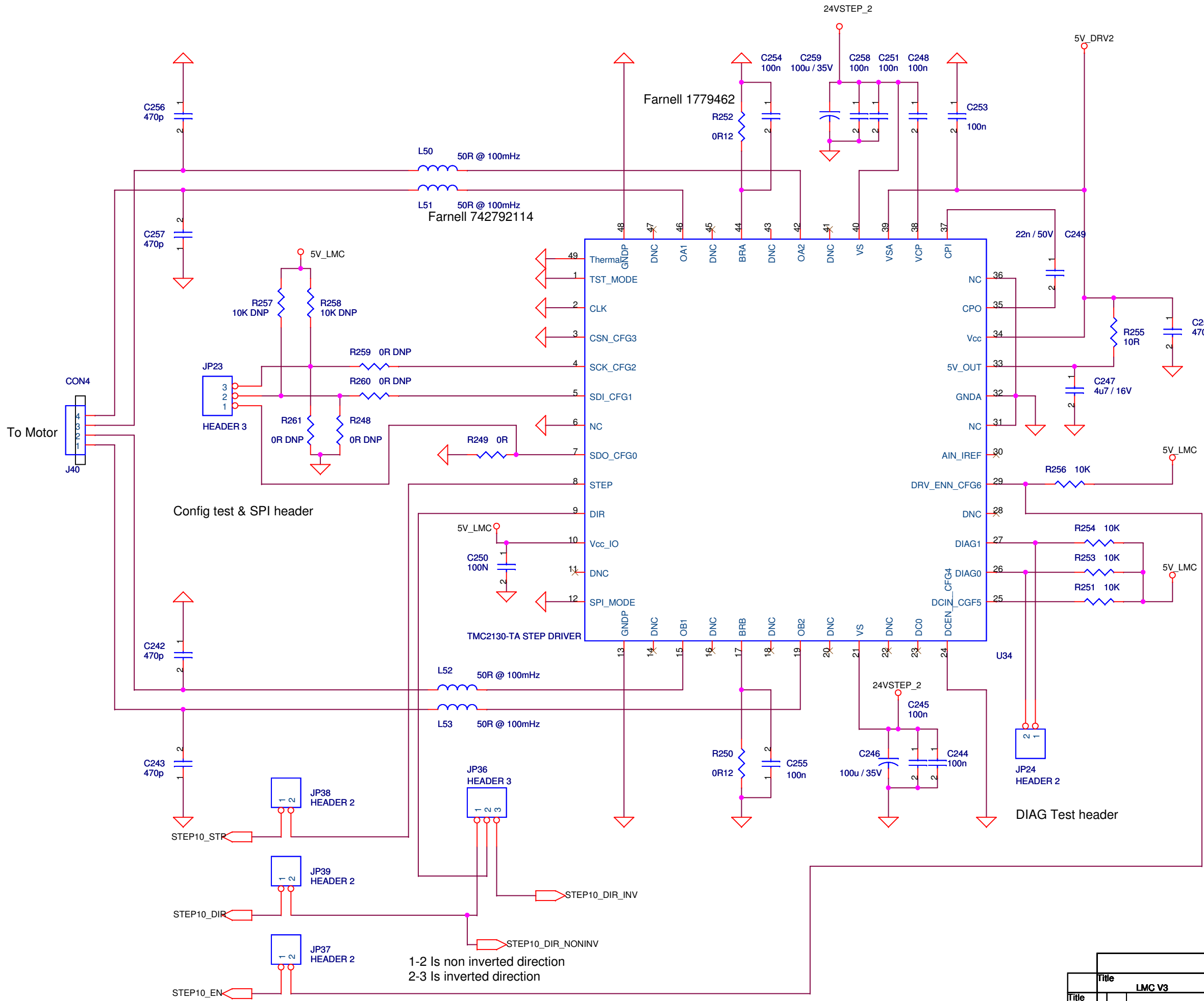
Drive is disabled by default due to pull up.

1-2 Is non inverted direction
2-3 Is inverted direction

Title			
LMC V3			
Title	Size	Doc	Rev
LMC V3 Document Number	A3	<Doc>	
Doc	Size	Doc	Rev
Sunday, September 13, 2015	A3	<Doc>	
Date	Sheet	1 of 1	Rev
Sunday, September 13, 2015	Sheet	1 of 1	



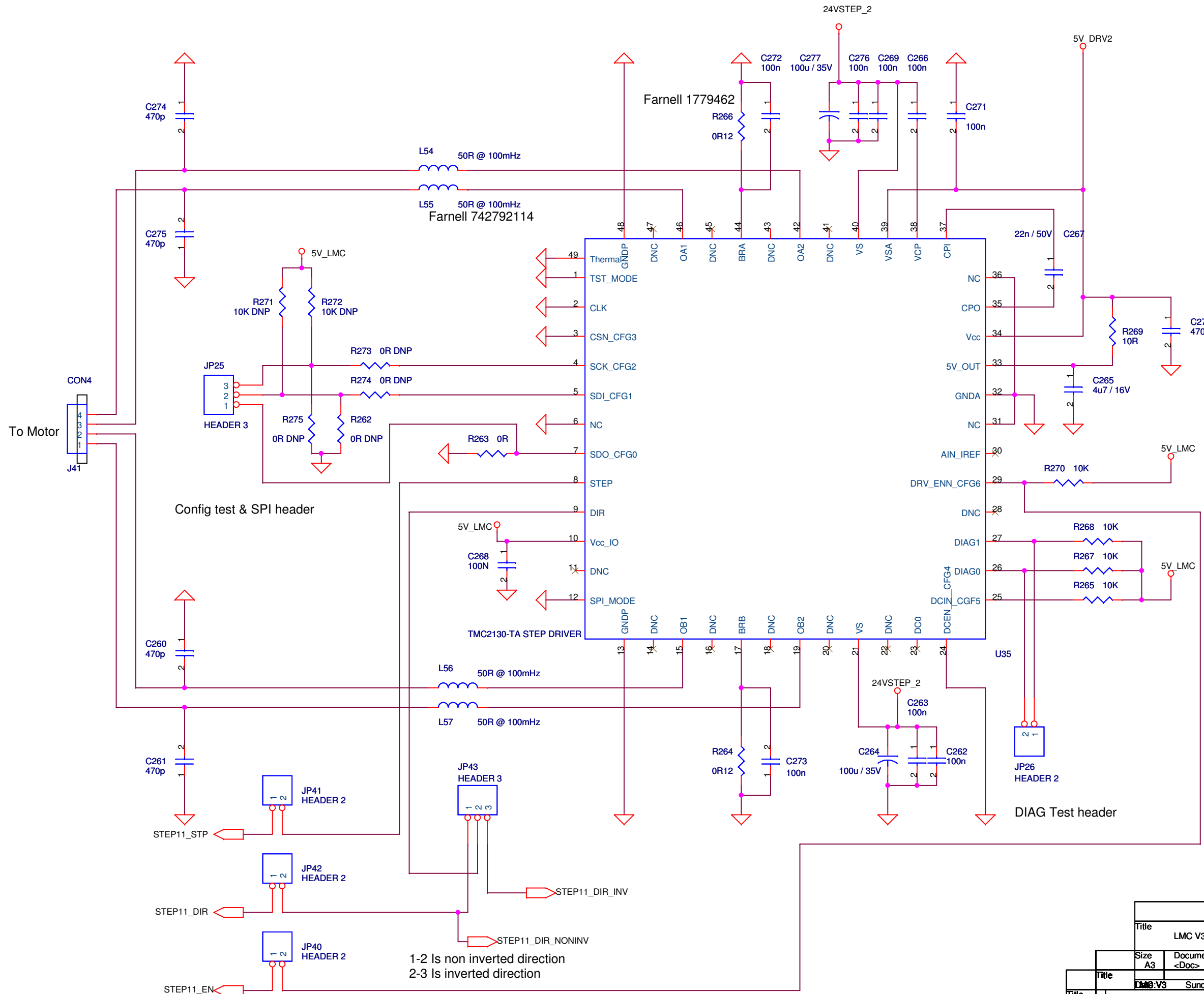
Title		LMC V3	
Size	A3	Sheet	1 of 1
Date	Sunday, September 13, 2015	Rev	<Rev Code>
Title		LMC V3	
Size	A3	Sheet	1 of 1
Date	Sunday, September 13, 2015	Rev	<Rev Code>



Drive is disabled by default due to pull up.

1-2 Is non inverted direction
2-3 Is inverted direction

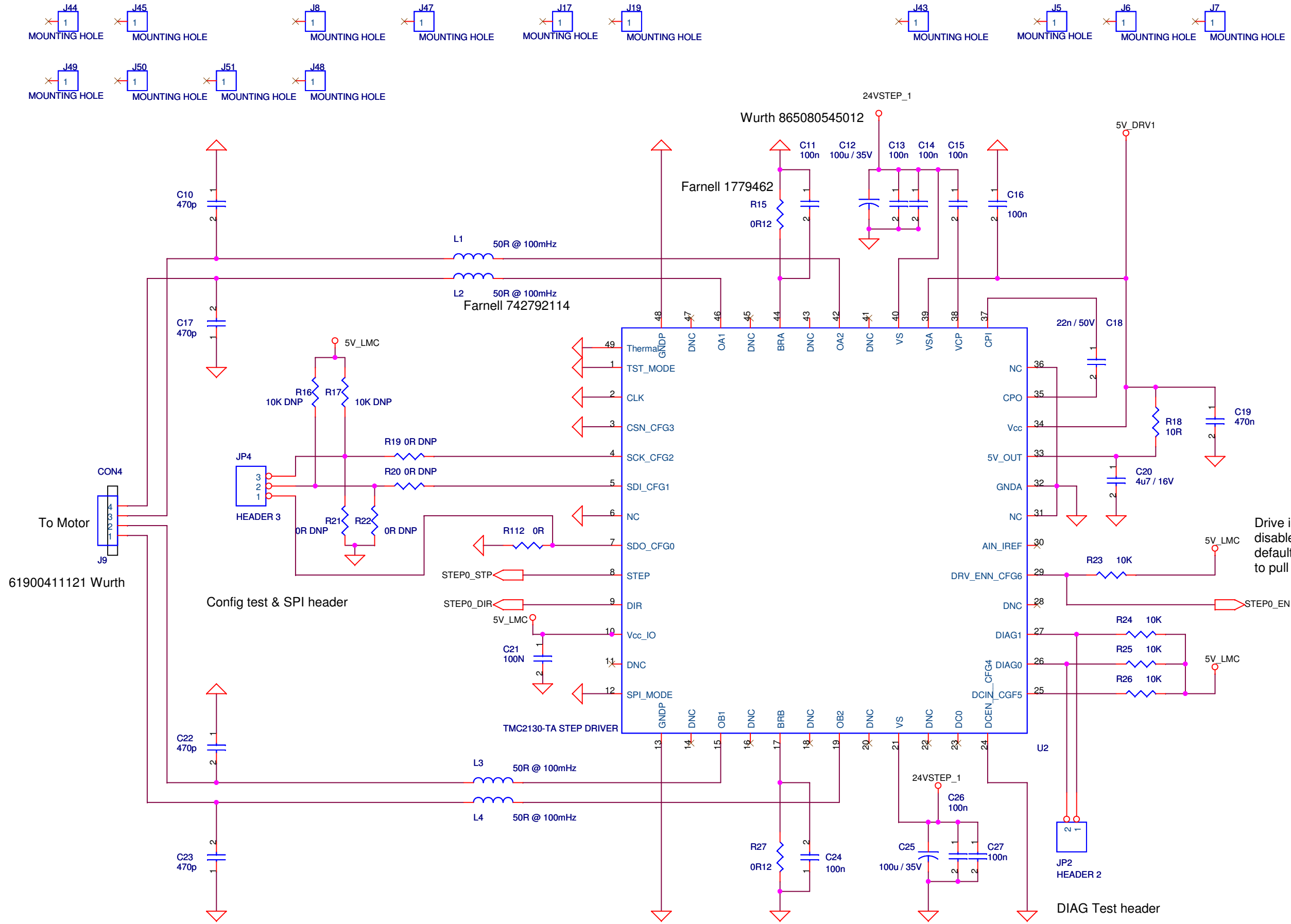
Title		LMC V3	
Title	LMC V3 Document Number	Rev	<Rev Code>
Size	Document Number	Sheet	1 of 1
Date	Sunday, September 13, 2015	Sheet	1 of 1
Date	Sunday, September 13, 2015	Sheet	1 of 1



Drive is disabled by default due to pull up.

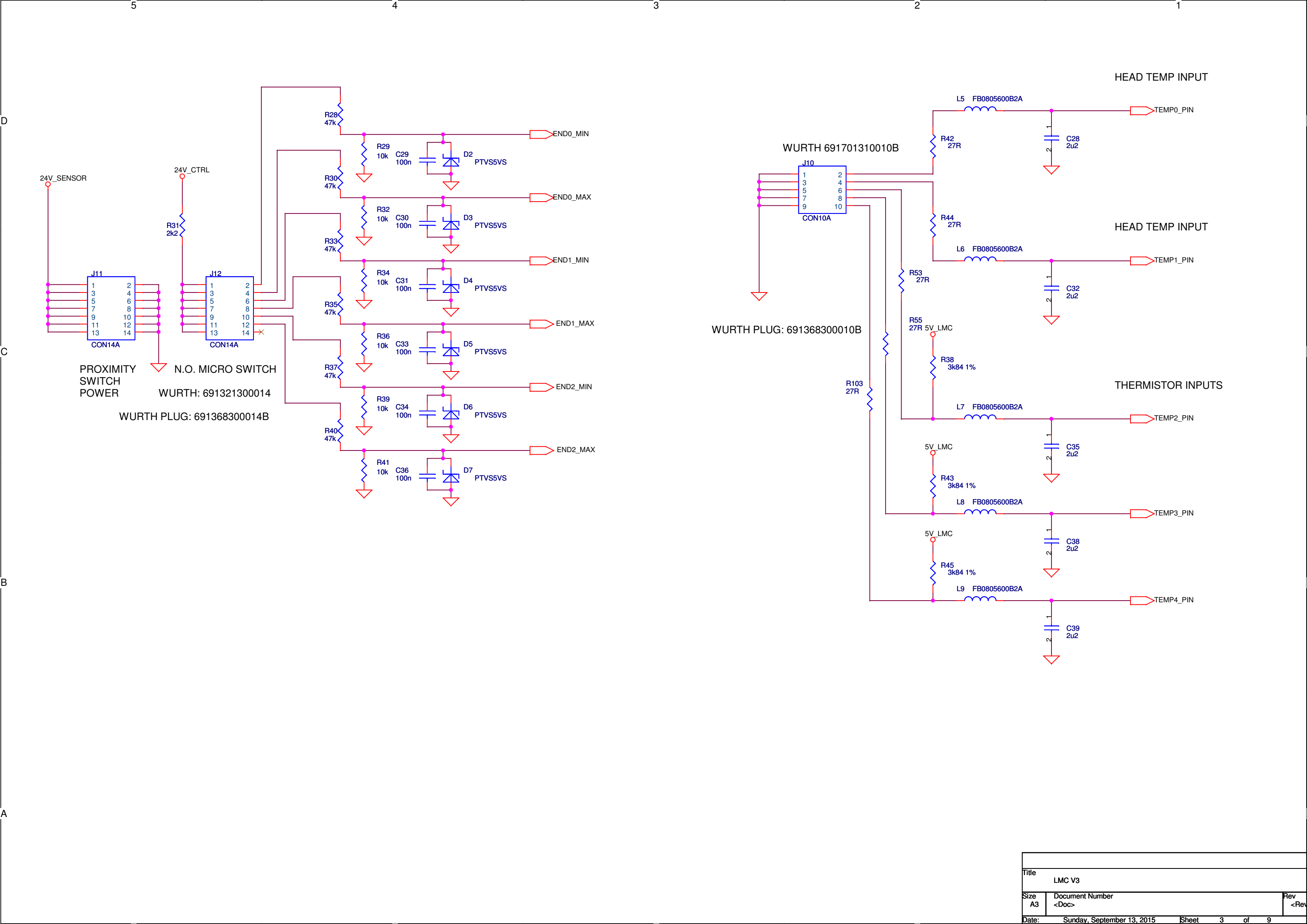
1-2 Is non inverted direction
2-3 Is inverted direction

Title		LMC V3		Rev	
Size	A3	Document Number	<Doc>	<Rev>	
Title	LMC V3	Date	Sunday, September 13, 2015	Sheet	1 of 1



Drive is disabled by default due to pull up.

Title		LMC V3	
Size	A3	Document Number	<Doc>
Date:	Sunday, September 13, 2015	Sheet	2 of 9

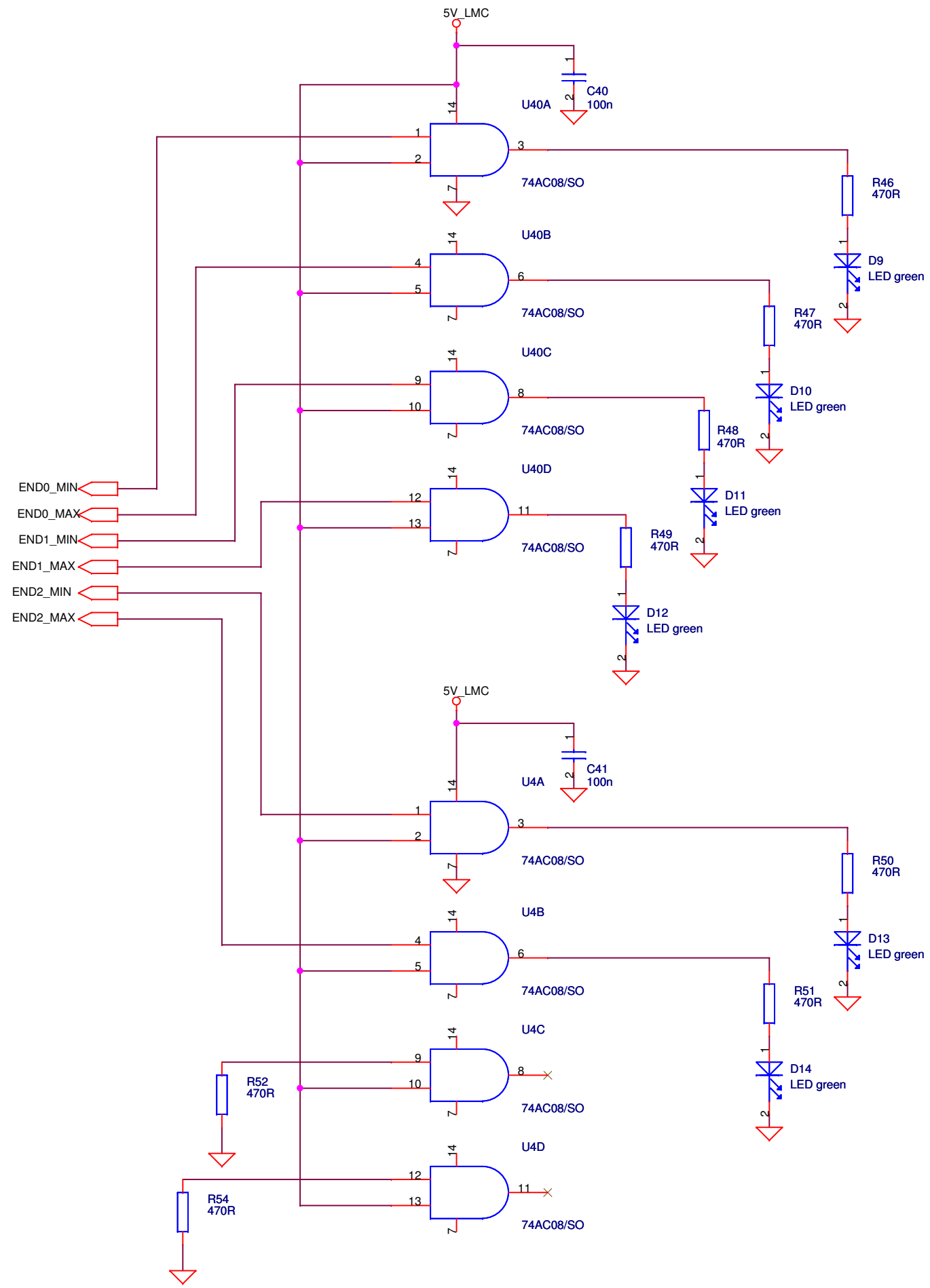


HEAD TEMP INPUT

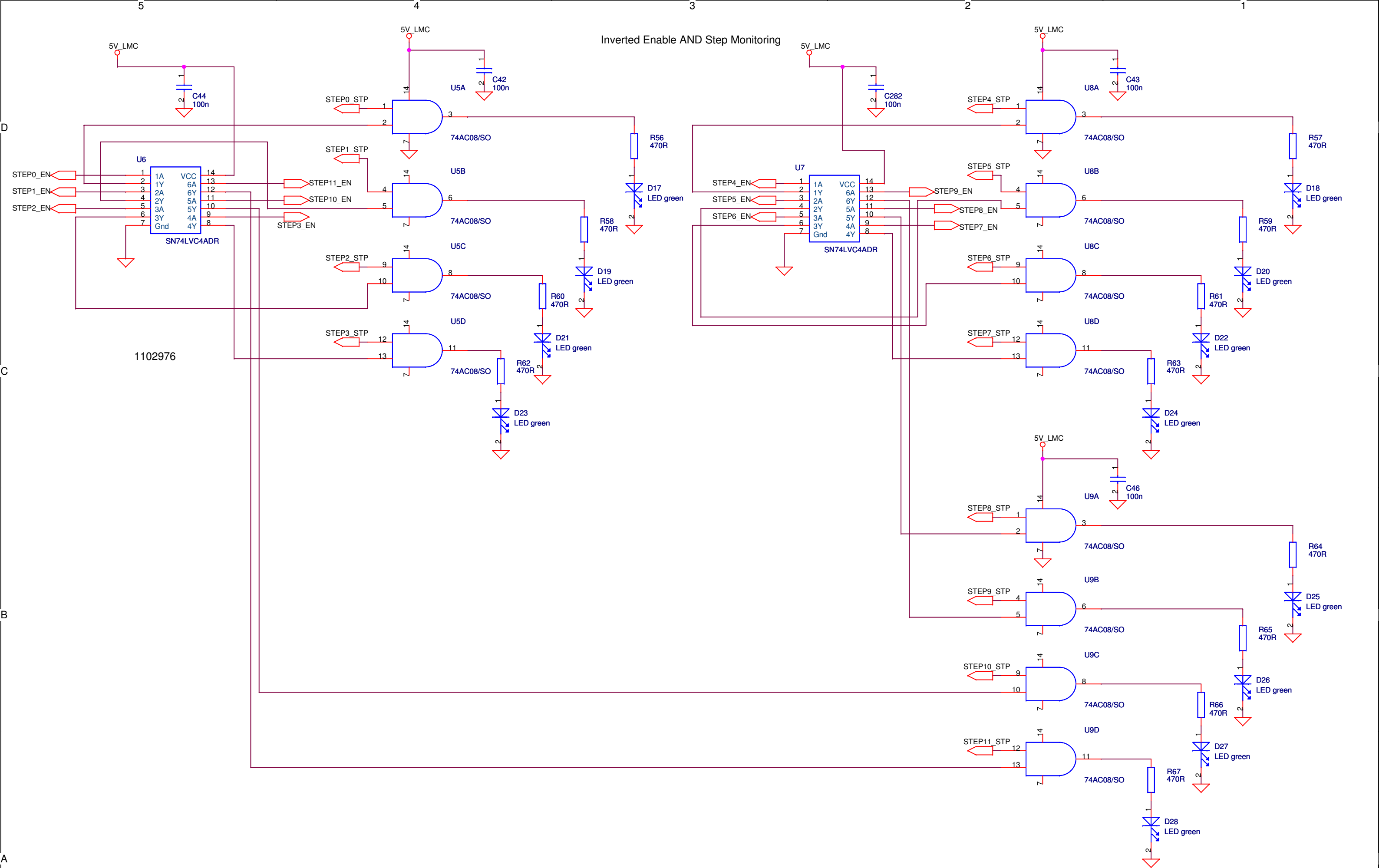
HEAD TEMP INPUT

THERMISTOR INPUTS

Title		
LMC V3		
Size	Document Number	Rev
A3	<Doc>	<Rev>
Date:	Sunday, September 13, 2015	Sheet 3 of 9

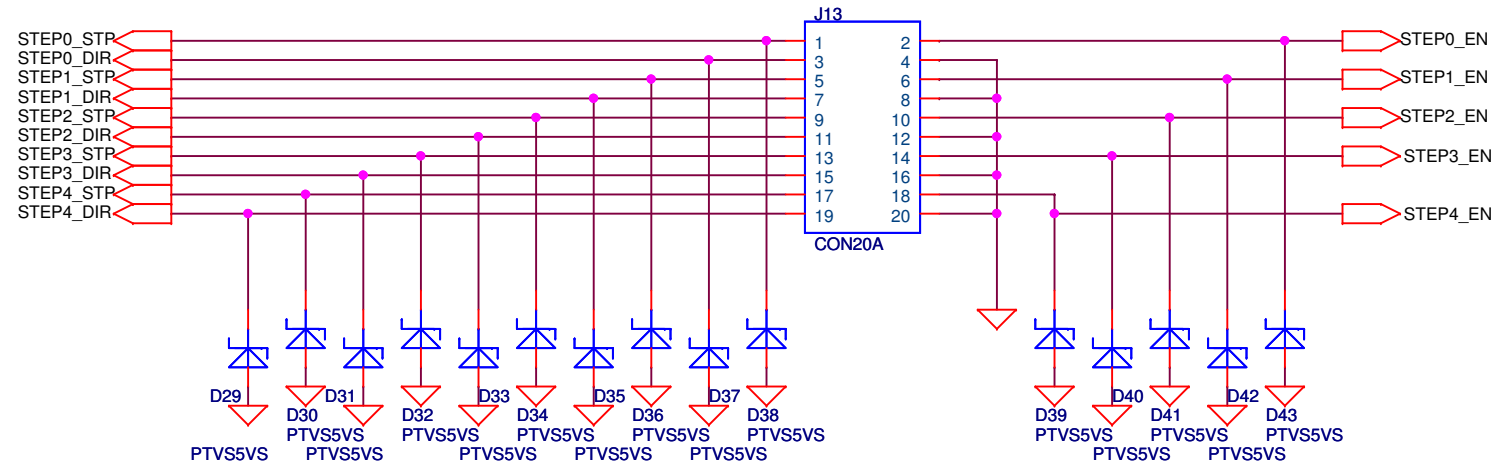


Title		
LMC V3		
Size	Document Number	Rev
A3	<Doc>	<Rev>
Date:	Sunday, September 13, 2015	Sheet 4 of 9

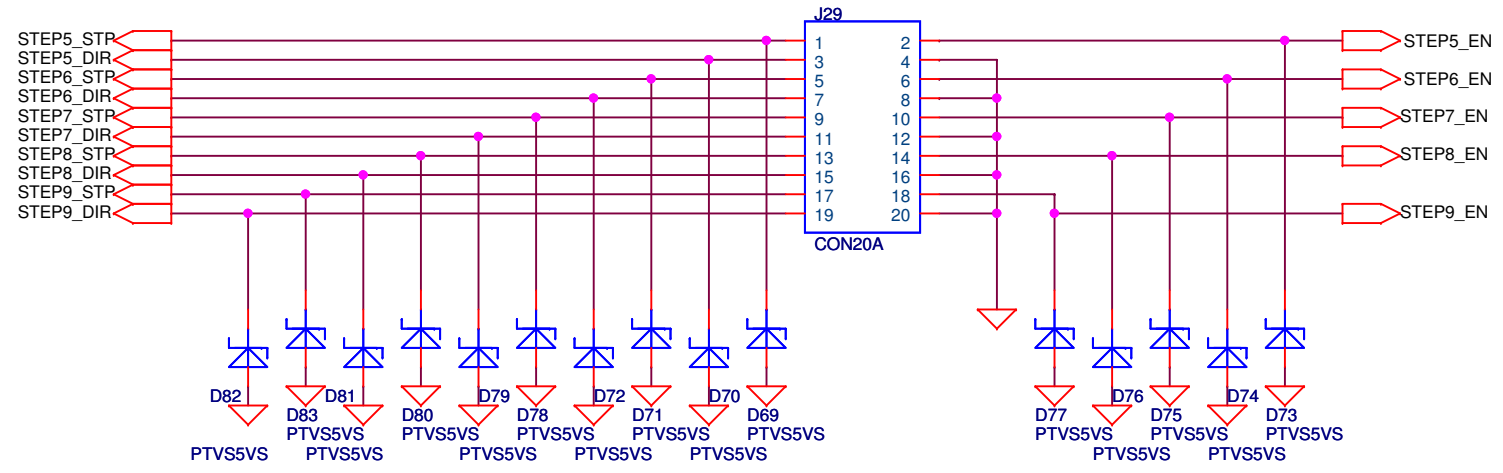


Title		
LMC V3		
Size	Document Number	Rev
A3	<Doc>	<Rev>
Date:	Sunday, September 13, 2015	Sheet 5 of 9

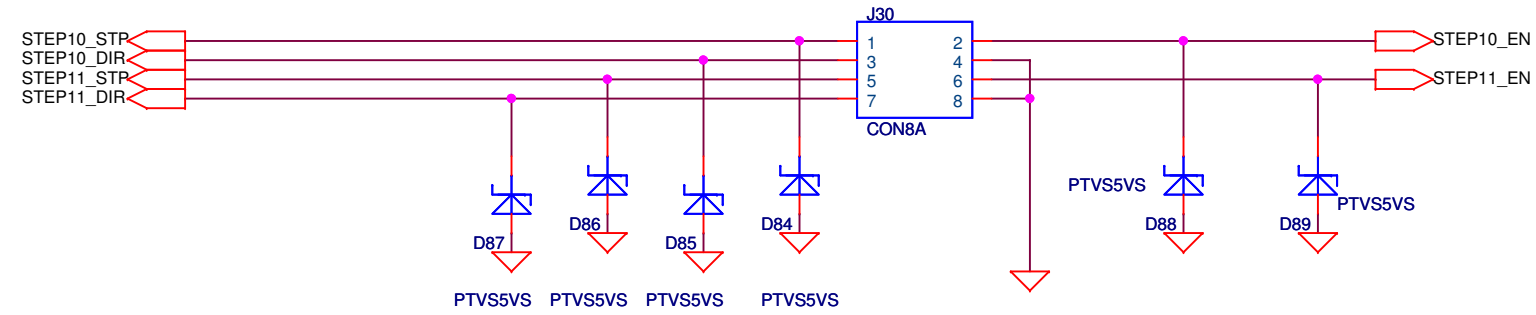
D



C

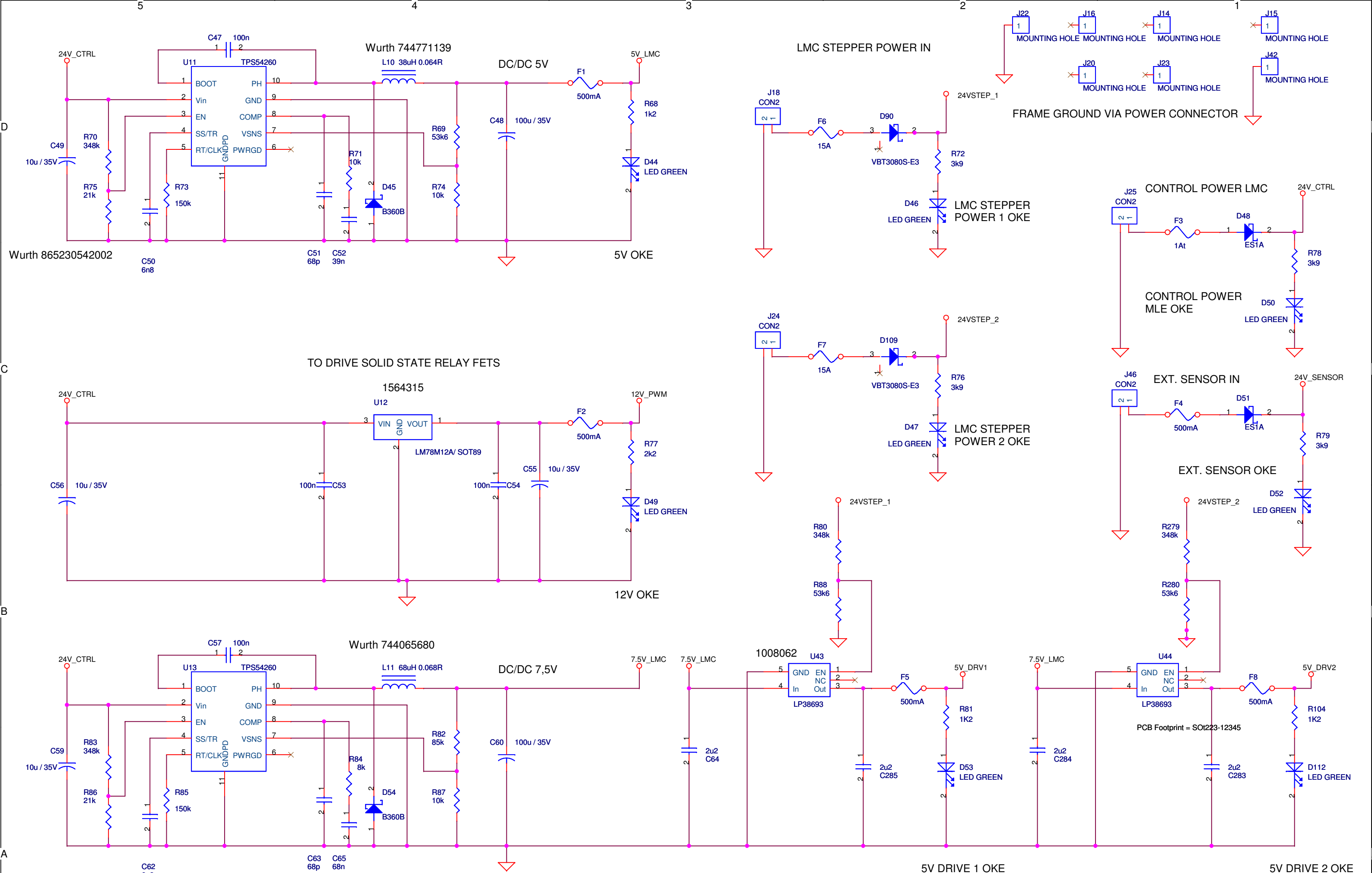


B



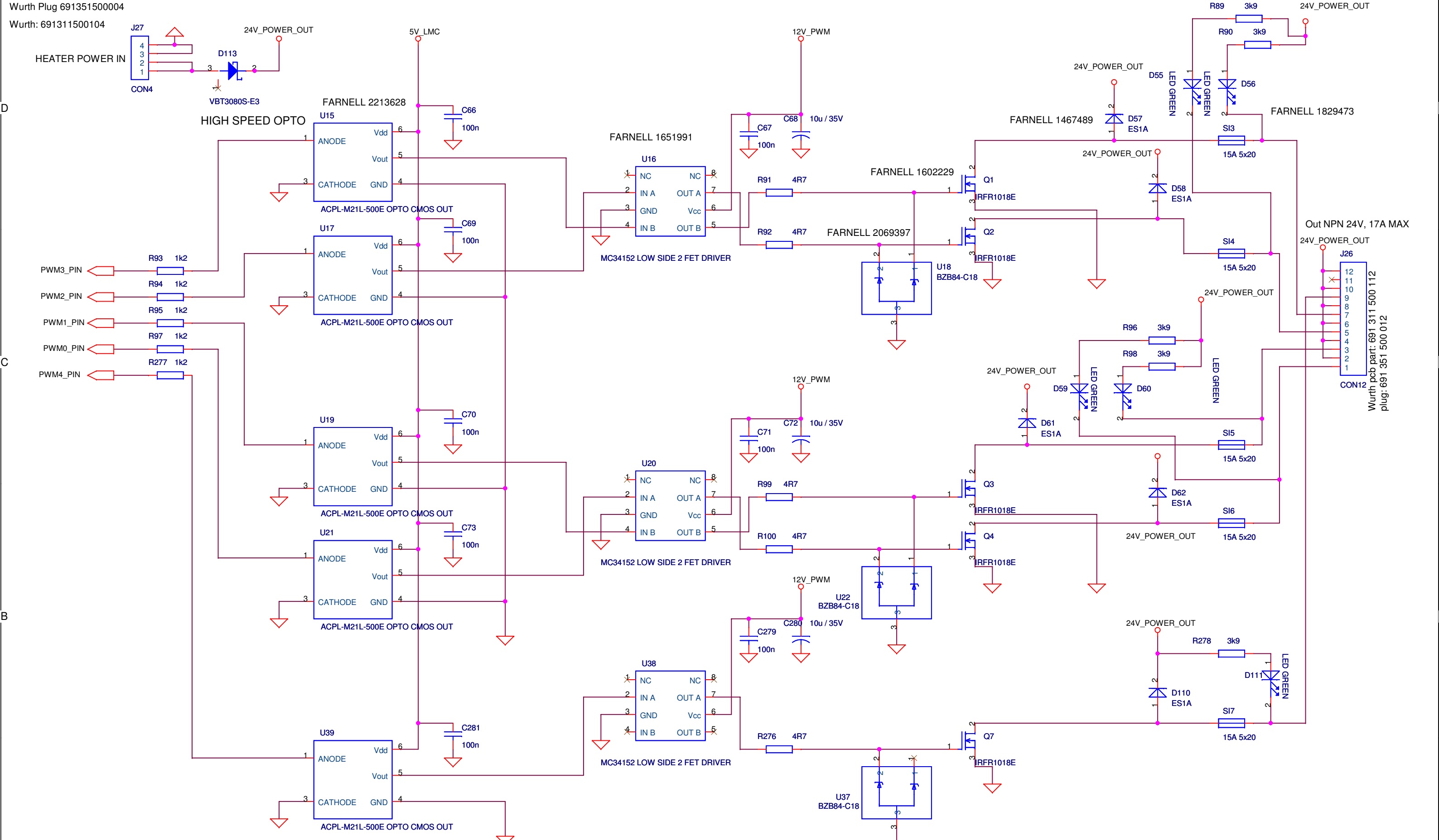
A

Title		
LMC V3		
Size	Document Number	Rev
A3	<Doc>	<Rev>
Date:	Sunday, September 13, 2015	Sheet 6 of 9



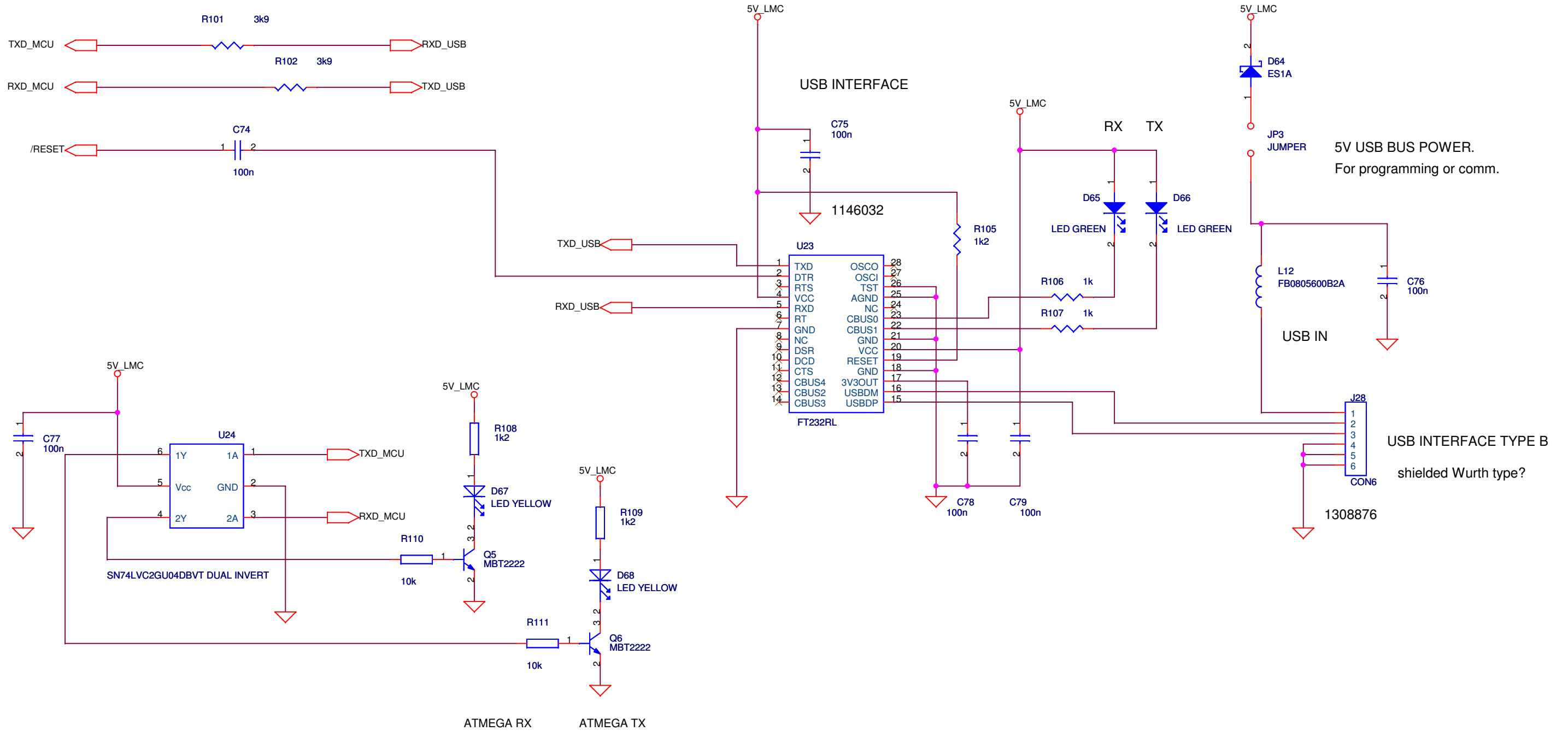
Title		
LMC V3		
Size	Document Number	Rev
A3	<Doc>	<Rev>
Date:	Monday, September 21, 2015	Sheet 7 of 9

BUFFERED POWER OUTPUTS SOLID STATE RELAYS



Out NPN 24V, 17A MAX
 24V_POWER_OUT
 J26
 Wurth pcb part: 691 311 500 112
 plug: 691 351 500 012

Title		
LMC V3		
Size	Document Number	Rev
A3	<Doc>	<RevCode>
Date:	Monday, September 21, 2015	Sheet 8 of 9



Title		
LMC V3		
Size	Document Number	Rev
A3	<Doc>	<Rev>
Date:	Sunday, September 13, 2015	Sheet 9 of 9