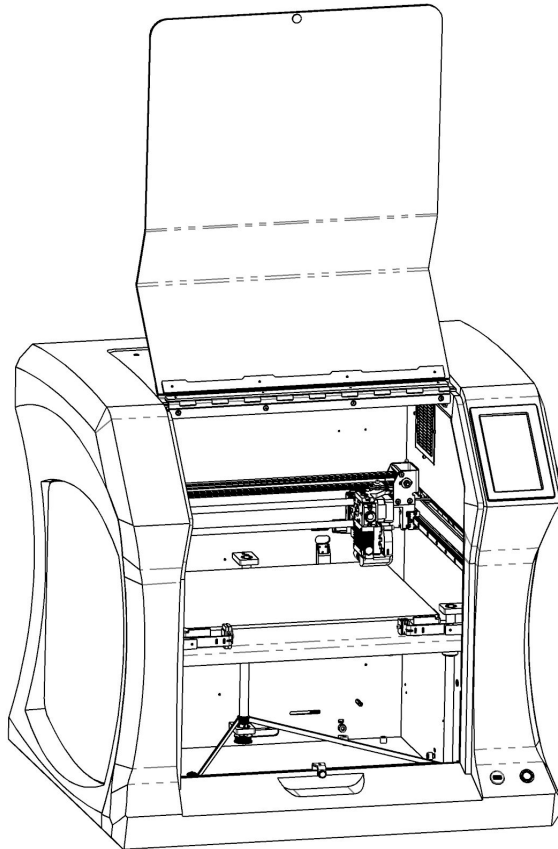


Datasheet

Title	Datasheet
Models	Bolt PRO
Version	01-09
Revision date	31-07-2018



General

Technology	Fused Deposition Modeling (FDM)	
Dual extrusion system	Independent Dual Extruders (IDEX)	
Chamber	Closed	
Resolution (Standard nozzle size)	0.4 mm	0.016 inch
Layer height (Standard nozzle)	0.05 - 0.3 mm	0.002 - 0.011 inch
Filament size	1.75 mm	0.069 inch
Printhead travel speed	100 mm/s	3.9 inch/s
Recommended print speed	60 mm/s	2.4 inch/s
Supported materials	ABS, Carbon, PLA, E-PLA, Flex, HIPS, Hybrid, Nylon, PETG, PP, Scaffold	
Build plate (Standard)	BuildTak flexplate system	
Additional Compatible surfaces	Standard, PEI, PP, Avery J8567 and others, depending on printed material.	
Connectivity	Wi-Fi, LAN, USB port	
Monitoring	Live Camera	
Remote Access	Yes, Login and control your machine via web-browser	
Storage capacity	32GB (MicroSD card)	
Air filter	HEPA Carbon filter	

Printing modes

Single extruder	One or multiple models, printed with 1 printhead
Dual extruder	One or multiple models, printed with 2 printheads sequentially.
Sync mode	The left and right printhead print the same model(s) simultaneously
Mirror mode	The right printhead mirrors the model. model(s) printed simultaneously

Printer specifications

Build volume (Single extruder)	300 x 320 x 205 mm	11.8 x 12.6 x 8.1 inch
Build volume (Sync / mirror)	139 x 320 x 205 mm	5.5 x 12.6 x 8.1 inch

Physical dimensions

Dimensions	723 x 831 x 801 mm	28.5 x 32.7 x 31.5 inch
Weight	64 kg	134 lbs
Shipping Weight	120 kg	264 lbs

Temperatures

Operating ambient temperature	15 - 30 °C	59 - 86 °F
Heated bed max. temperature	90 °C	194 °F
Hot End max. temperature	270 / 360 °C	518 / 680 °F
Hot End min. temperature	155 °C	311 °F

Electrical

Input voltage	88 - 264VAC
Input frequency	47 - 63 Hz
Maximum power consumption	600W

Software

Supplied software	Simplify3D
Supported operating systems	Windows, Mac OS X, or Linux systems
Supported File types	STL, OBJ, and 3MF files.