

## BATTERY INDICATION

While charging and in use BEAM's button displays its battery level:



Red pulse <20%  
Amber pulse 20 - 60%  
Green pulse >60%  
No LED Complete

Charging time approx **5 hours**

While in use, a double pulse of the button means BEAM is in Adaptive Mode, a single pulse is normal mode.

The button will turn solid red when the light enters 'get me home' mode, indicating one hour of runtime remaining.



To maintain the battery's performance, charge BEAM fully at least once a month.

## BUTTON FUNCTIONS

**Hold 2secs - ON**  
Press - Constant High  
Press - Constant ECO  
Press - Reactive Flash  
**Hold 2secs - OFF**

### Adaptive Mode:

Hold the button for 5 secs to put BEAM into Adaptive Mode. This turns on light sensing, speed sensing & reactive pulse for all light modes. Hold again for 5secs to turn off.

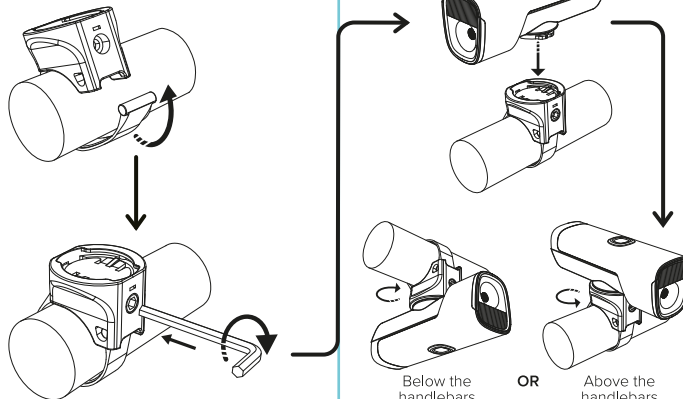
### Show battery level:

A single button press while the light is off.

RUNTIMES	NORMAL	ADAPTIVE
High (1000/1500 lumens**)	2 hours	2-3 hours*
Eco (400/600 lumens**)	5 hours	5-7 hours*
Reactive flash	30 hours	35-40 hours*

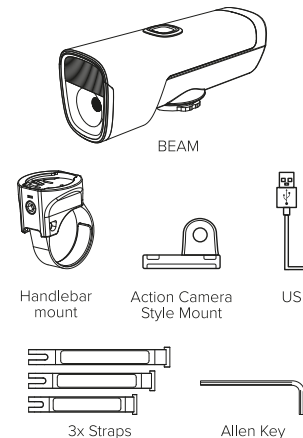
\*Runtimes dependent on ride conditions  
\*\* Higher lumens for BEAM+

## MOUNTING BEAM



Light sensing is optimised for above the handlebar fitment

## WHAT'S IN THE BOX



### Important Information

Charge BEAM fully before you use it for the first time. To maintain the battery's performance, charge BEAM fully at least once a month.

BEAM is IP67 rated under normal use, do not subject it to high pressure water jets or intentionally submerge it in water. In the unlikely event that moisture appears inside BEAM turn it off and contact our customer service for guidance.

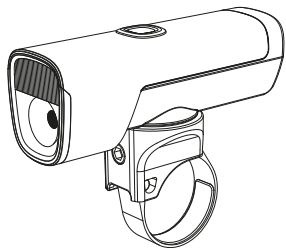
Clean BEAM using a moistened cloth and mild detergent only. Do not use corrosives, solvents or abrasive materials to clean BEAM. BEAM uses an extremely powerful LED which can get hot with use. A thermal protection circuit temporarily reduces brightness if it approaches its thermal limits.

### Product Warnings

See.Sense BEAM is a very bright light. Do not look directly at the light, or shine it directly at others. Keep it out of reach of children and pets. Staring into the light can cause serious injury. Use BEAM with care at all times.

Carefully inspect BEAM before every use. If you find any damage, corrosion, or leaking, turn it off and contact us for guidance. Do not disassemble BEAM. Do not incinerate BEAM.

Limeforge Ltd do not warrant that BEAM complies with all local traffic laws and regulations. Limeforge Ltd accepts no liability for any injuries or other damages arising from the use of this product in any circumstances.



SEE.SENSE™ BEAM | BEAM+

## Quick Start Guide

For further information on BEAM, its intelligent features and our smartphone app please visit: [www.seesense.cc](http://www.seesense.cc)

## SMART ADAPTIVE FEATURES

BEAM has the following smart adaptive features:

- Brightness adjusts according to lighting conditions
- Reactive flash at roundabouts, junctions, road surface & more
- Adaptive brightness with speed
- 'Get me home' mode gives you an hour of runtime when your battery gets low

Visit our website and download the See.Sense app to find out more.

## SEE.SENSE MOBILE APP

Search 'See.Sense' in the Apple App Store or Google Play Store & download our app.

Download the app to unlock the following features:

- Speed sensing beam adaptivity
- Get low battery notifications
- Receive theft alerts
- Customise & control your lights
- Share insights to make rides better
- Send crash alerts to an emergency contact

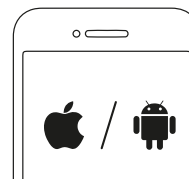
## MAKING CYCLING BETTER

Opt in via the app to share anonymised ride insights that can help improve conditions for cyclists. By sharing your ride insights you can help make cycling safer, more convenient and enjoyable.

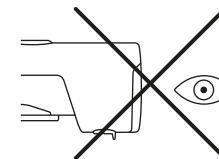
### HOW IT WORKS

Once you've connected your lights to our app, the technology within the lights can detect the road issues and poor conditions that you face on your journey.

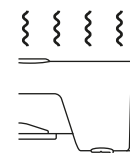
Through See.Sense's app you're then able to share additional insights anonymously with city planners.



## WARNING



See.Sense BEAM is a very bright light. Do not look directly at the light, or shine it directly at others.



BEAM uses an extremely powerful LED which can get hot with use. A thermal protection circuit temporarily reduces brightness if it approaches its thermal limits.

### Warranty

Limeforge Ltd provides a warranty for BEAM for 24 months from the original date of purchase by the original owner (proof of purchase required). This warranty covers parts and workmanship on the LED housing, LED, mounting bracket and electronics but not normal wear and tear, improper use, attempting to access the electronics, modifying the electronics, accidental damage, or damage or failure due to neglect.

If you need to make a claim on the warranty, then return BEAM with your original receipt to the point of purchase. Do not attempt to disassemble BEAM or to modify the electronics. Doing so will void warranty.

### LIKE OUR PRODUCT? SHOW US!

- [Facebook](https://www.facebook.com/seesense) seesense.cc
- [Instagram](https://www.instagram.com/seesense) @seesense\_cc
- [TikTok](https://www.tiktok.com/@seesense) @seesense\_cc
- [YouTube](https://www.youtube.com/channel/UC...) @seesense\_cc
- [www.seesense.cc](http://www.seesense.cc)