



Tecnica series locksets are an Art Moderne inspired line developed to complement any contemporary architectural setting, or to modernize traditional spaces. These solid geometric handles maintain a distinctive clean look and the same robust quality as other Dorex series locksets. Tecnica series levers are recommended by architectural and interior design professionals for both private and public applications.

www.dorex.com

TECNICA DESIGN
D O R E X

TECNICA DESIGN SERIES

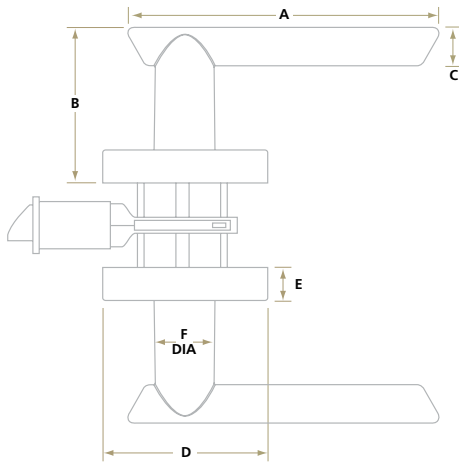
LEVERS

- ANSI Grade 3
- Fits 1 3/8" (35mm) to 2" (51mm) door thickness
- Kit available for 2 1/4" (57mm) door thickness
- Backset adjustable for 2 3/8" (60mm) and 2 3/4" (70mm)
- Stainless steel latch bolt available in drive-in or mortise type
- ASA strike available for hollow metal suite doors
- Zinc die-cast levers
- Concealed mounting screws
- Auto-release privacy function
- Lifetime mechanical warranty
- 10 year limited finish warranty
- cULus 20min fire can available (ordered with lockset)

DEADBOLTS

- Single cylinder with thumbturn
- Fits 1 3/8" (35mm) to 1 3/4" (44.5mm) door thickness
- Kit available for 2 1/4" (57mm) door thickness
- Available with Kwikset, Schlage "C" or Weiser keyways
- Brass or stainless steel deadbolt with hardened steel pin and 1" (25mm) throw
- Lifetime mechanical warranty
- 10 year limited finish warranty
- cULus 20min fire can available (ordered with deadbolt)

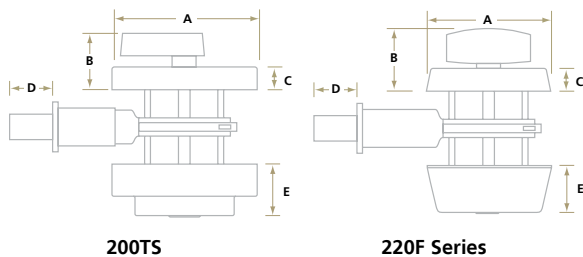
LEVERS



	MODEL NUMBER	TYPE	FUNCTION	FINISH	PER CASE	WEIGHT LBS / KG
CIRCA	100 10 CT	Tubular	Passage	15, 26D	10	23.3 / 10.6
	100 42 CT		Privacy			24.4 / 11.1
	100 CT -5		Universal dummy		20	18.0 / 8.2
	DM-SR	Mortise	Refer to Dorex DM Series - p.02.010			
LINEA	100 10 LT / LTS	Tubular	Passage	15, 26, 26D	10	23.3 / 10.6
	100 42 LT / LTS		Privacy			24.4 / 11.1
	100 LT -5 / LTS -5		Universal dummy		20	18.0 / 8.2
	DM-SL	Mortise	Refer to Dorex DM Series - p.02.010			
THE FLAT	100 10 FT / FTS	Tubular	Passage	15, 26, 26D	10	23.3 / 10.6
	100 42 FT / FTS		Privacy			24.4 / 11.1
	100 FT -5 / FTS -5		Universal dummy		20	18.0 / 8.2
	DM-SF	Mortise	Refer to Dorex DM Series - p.02.010			

MODEL NUMBER	A	B	C	D	E	F DIA
100CT	4 13/16 (122.3)	2 3/8 (60)	19/32 (15)	2 9/16 (64.5)	1/2 (12.7)	15/16 (23.2)
100LT/LTS	4 3/8 (111)		25/32 (20)			
100FT/FTS	4 3/4 (120)		37/64 (14.7)			

DEADBOLTS



MODEL NUMBER	FUNCTION	FINISH	PER CASE	WEIGHT LBS / KG
200 51 TS	Single Cylinder Kwikset keyway	15, 26, 26D	12	20.0 / 9.1
201 51 TS	Single Cylinder Weiser keyway			
202 51 TS	Single Cylinder Schlage keyway			
220F 51	Single Cylinder Kwikset keyway	15, 26D	20	27.0 / 12.3
221F 51	Single Cylinder Weiser keyway			
222F 51	Single Cylinder Schlage keyway			

MODEL NUMBER	A	B	C	D	E
200TS	2 9/16 (64.5)	1 3/16 (30.2)	3/8 (9.5)	1 (25.4)	15/16 (23.8)
220F	2 1/16 (52)	1 (25.4)			

Dimensions unless specified otherwise are: Inches (Millimeters)

TECNICA DESIGN SERIES



Circa



Linea



© DOREX

The Flat



© DOREX



220F Series



200 TS
QUADRA

ORDERING INFORMATION

LEVERS	100* SERIES	10 FUNCTION	FT DESIGN	15 FINISH	M LATCH
--------	----------------	----------------	--------------	--------------	------------

DEADBOLTS	200 SERIES	51 FUNCTION	TS DESIGN	26D FINISH	KD KEYING	V BOLT
-----------	---------------	----------------	--------------	---------------	--------------	-----------

FUNCTION	
10	Passage
42	Privacy
DEADBOLT FUNCTION	
51	Single cylinder
DESIGN	
CT	Circa
FT	The Flat
FTS	The Flat with square rosette
LT	Linea
LTS	Linea with square rosette
TS	Quadra (200 TS Series)

FINISH			
15	Satin Nickel		
26	Bright Chrome		
26D	Satin Chrome		
LATCH / BOLT			
M	Mortise		
V	Drive-in		
DEADBOLT KEYWAY			
200	KW keyway	220F	KW keyway
201	WR keyway	221F	WR keyway
202	SC keyway	222F	SC keyway
MOUNT OPTIONS <small>Levers only</small>			
-5	Universal Dummy		

KEYING * Deadbolts only

CMK Construction Master Keyed In a CMK group, builder's key can open all individual locks during construction just like a master key. Homeowner's key, once operated, shuts out builder's key automatically.

GMK Grand Master Keyed Each lock is keyed different in a group. Master key opens all locks in its own group but no other group. Grand master key opens all locks in all groups.

MK Master Keyed Each lock in the group is keyed different. A master key opens all locks in that group but no other group.

KA Keyed alike Keyed alike locks are all built to one key which operates all locks in the system.

KD Keyed Different The key to any individual lock will operate that lock only and no other lock in the group.

***MORTISE LOCK OPTION**

Tecnica lever designs can also be found in the Dorex DM Series of mortise locks. Offering a wider variety of lock and keying options - perfect for office, government and residential complex development. Please speak to your local Dorex representative or refer to the Dorex DM Series catalogue page (p.02.010).

FINISH / FUNCTION AVAILABILITY CHART

FINISH	15	26	26D
CIRCA	10, 42, -5		10, 42, -5
THE FLAT	10, 42, -5		10, 42, -5
THE FLAT, SQUARE ROSETTE	10, 42, -5	10, 42, -5	10, 42, -5
LINEA	10, 42, -5	10, 42, -5	10, 42, -5
LINEA, SQUARE ROSETTE	10, 42, -5	10, 42, -5	

FINISH	15	26	26D
200TS SERIES	51	51	51
220F SERIES	51		51

PARTS & ACCESSORIES

FIRE CAN	Required for installation on 20 minute fire rated doors with 2-1/8" (54mm) cross bore (200 TS series deadbolt)	ASAC15	ASA Strike for hollow metal suite doors, available in bright brass (3), satin nickel (15) and stainless steel (32D) finishes
FIRE CAN1.5	Required for installation on 20 minute fire rated doors with 1-1/2" (38mm) cross bore (220F series deadbolt)	TDK100TE	Lockset 2-1/4" (57mm) door thickness kit
		TLA85052	Deadbolt 2-1/4" (57mm) door thickness kit

Please refer to finish availability chart for in stock finishes. All finishes are available for volume special orders (allow a min. of 12 weeks for delivery). Lifetime warranty on Endurance finish • 10 year limited warranty on all other finishes Lifetime mechanical warranty • Please refer to Dorex warranty conditions

