

MONARCH

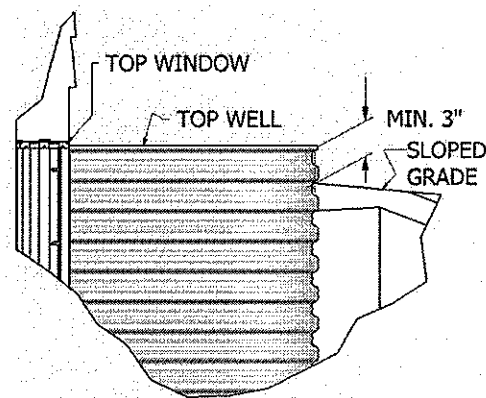
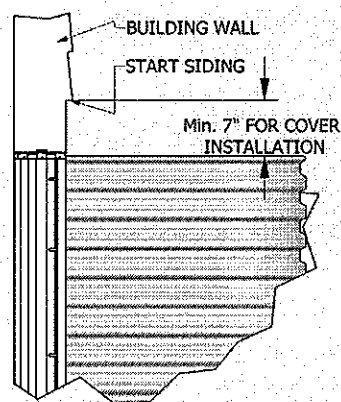
Materials Group Inc.

Window Well Installation Instructions

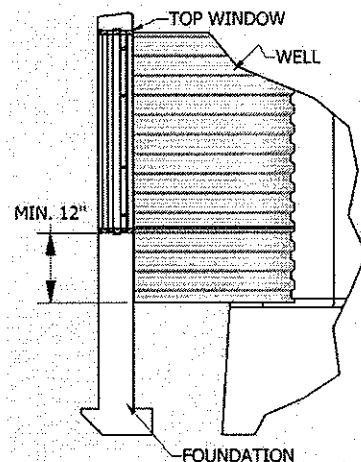
Please read first the complete instruction before installing your well!

Sizing recommendations:

- ◆ To meet egress, width and projection requirements must be considered min. requirements are 36" for both the width and the projection.
- ◆ Window well top should be min. of 3" above the ground elevation.
- ◆ Install the top of the well at the same height or higher then the top of the window. (To allow for the optional cover mounting) The size of the well may change to comply with egress codes and operation of the window. This is extremely important if a casement window is used.



- ◆ The bottom of the window well should be a minimum of 12" below the window sill.



P.O. Box 250
Waukee, Iowa 50263
515.993.4561 * 800.343.9370
Fax: 515.993.4372

MONARCH
Materials Group Inc.
www.monmatgrp.com

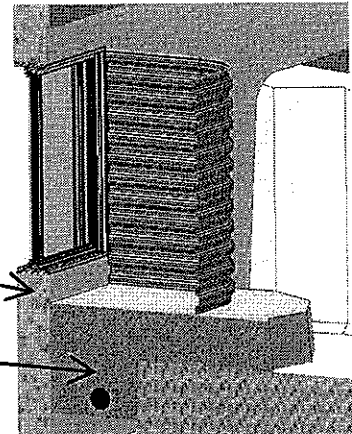
1850 West Adriatic Place
Englewood, Colorado 80110
Phone: 303.935.4679
Fax: 303.935.4607

Mounting:

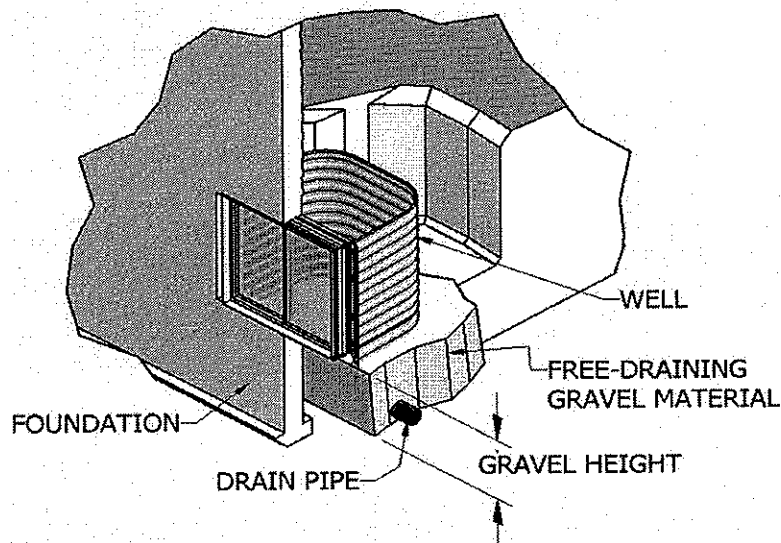
- ◆ Make sure the foundation wall is clean and free of debris.
- ◆ Fill in the base of the hole with a minimum of 10" pea gravel and level to the desired depth in relation to the window.

The top of gravel min. 6" below window

Tie into perimeter drain system.



- ◆ Well should be centered and no more than 2 in. below the top of window.



- ◆ Mount the window well by one of the following methods:
 1. Concrete foundation by drilling holes and using 3/8" x 2-3/4" wedge anchors placing minimum of 4 on each side, starting at the top and 1 anchor at least every 12 in. down the side.
 2. Block foundation by drilling holes and using 3/8" x 1-7/16" sleeve anchors placing minimum of 4 on each side, starting at the top and 1 anchor at least every 12 in. down the side.

3. Window mount Loosen the top screws just far enough to help locate the well on the key holes of the well. Insert the removed screws with a fender washer and loose tighten. Remove the two top screws and mount with fender washers Do not over tight the screws.
 4. Note: Always use fender washers on the bolts to evenly distribute the load on the window well flange!
- ◆ Backfill by hand with free-draining gravel up to 8" – 10" from the top of the window well and use clean soil 3" from the top of the well.

Warning: Do not use frozen dirt or large rocks!

The load carrying capacity of the wells depends upon proper backfilling. Always support all wells inside during the backfill procedure. Consider using a knee brace.