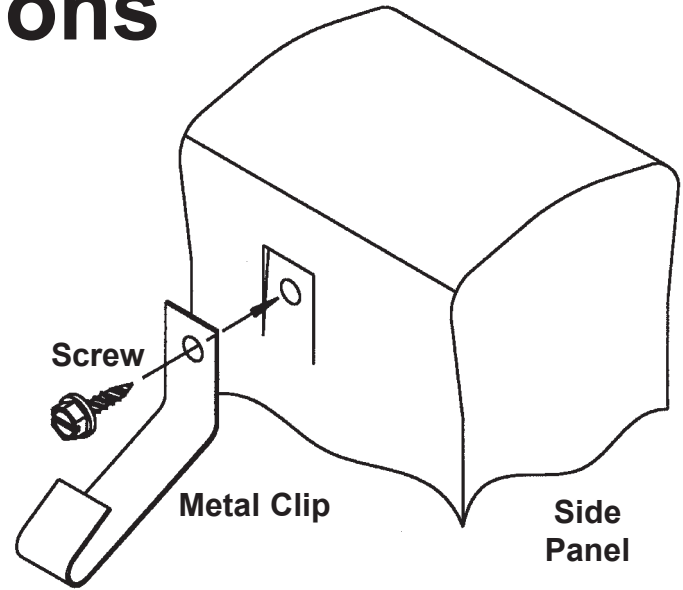


Attachment Instructions

for *SCAPEWEL*® Cover Clips

Six (6) metal clips with 1/2" screws are provided. Indents are molded into the outside top of each side panel for clip attachment. Attach Clips as follows:

- 1** Using a 3/32" size drill bit, pre-drill a hole at each indent location. Position the clip in the indent as shown to mark the hole location.
- 2** Attach clips as shown.
- 3** "SNAP" the clips ends over the lip of the Cover.



For Emergency Egress: Place both hands in the center of cover and push up and away from the house. Make sure everyone in the household understands how the cover is removed.



Building on Our Tradition™