

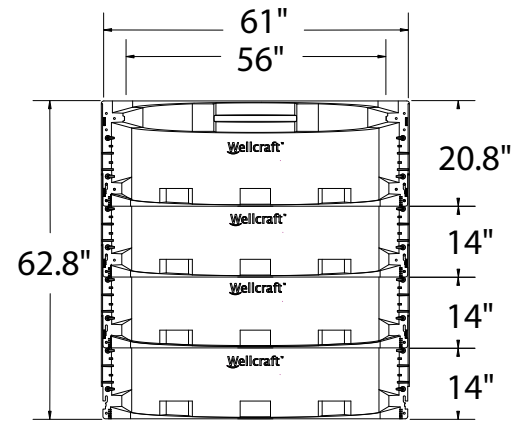
5600 Modular Egress Window Well

Installs in a snap.

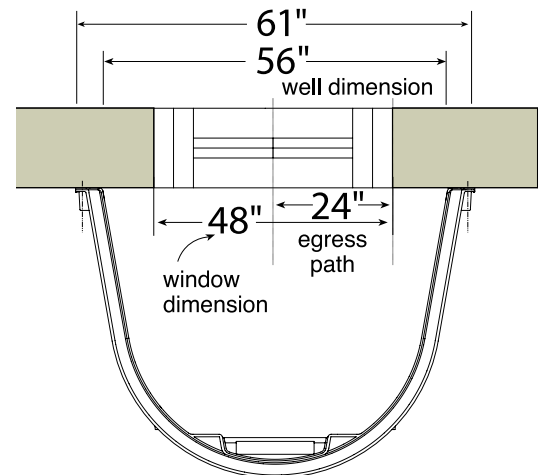
The 5600 offers many custom possibilities. You're not limited to a set height—make your well as short or as high as you need. A typical installation uses four sections and is made easy with simple, snap-together construction. The 5600 is designed for windows up to 4-foot wide. Each section weighs only 24 pounds and is easy to transport.



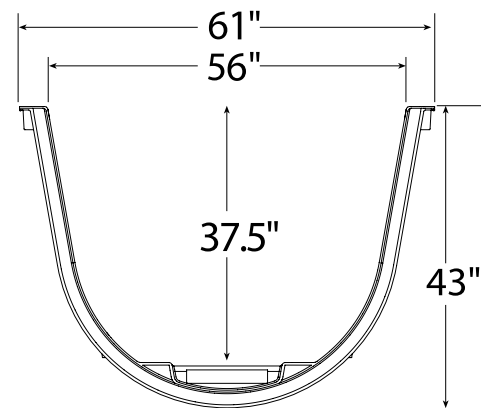
grey
#056100092



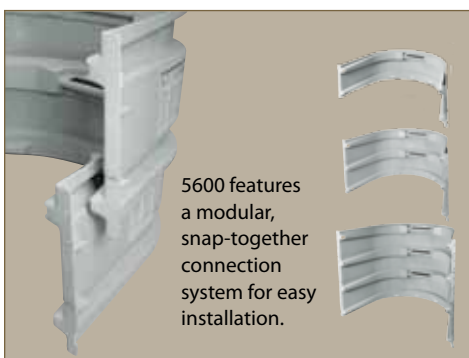
Front view



Top view with wall and window



Top view



5600 features a modular, snap-together connection system for easy installation.

Sections	Total Height
1	20 ⁷ / ₈ "
2	34 ⁷ / ₈ "
3	48 ⁷ / ₈ "
4	62 ⁷ / ₈ "
5	76 ⁷ / ₈ "

Wellcraft[®]
egress systems

888-812-9545
www.wellcraftwells.com

The Tapco[®]
GROUP

www.theTapcoGroup.com