

IP67 Mini Side View Neon Flex

LN-SC-NEOS

Features:





1. IP67
2. 3014 LED
3. 3.81W/Ft
4. 24V DC
5. CRI >80
6. Dot-free illumination
7. Side View: Bend direction horizontally
8. Indoor and outdoor application
9. Dimension:8×12mm
10. First-class PVC material, UV-resistant







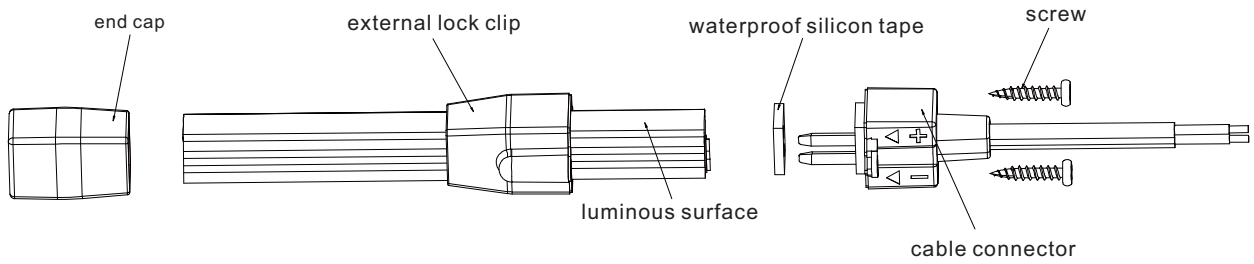
Technical parameters :

Model	CCT	Luminous Flux (lm/ft)	Max. Length	Min.Length (mm)	DC Voltage (V)	LED Qty. (pcs/ft)	Rated Watt (w/ ft)	Rated Current (A/ft)
LN-SC-NEOS-W-5	5500-7000K	155.49	32.8 ft	38.5	DC24	55	3.81	0.16
LN-SC-NEOS-WW-5	2900-3200K	121.95						

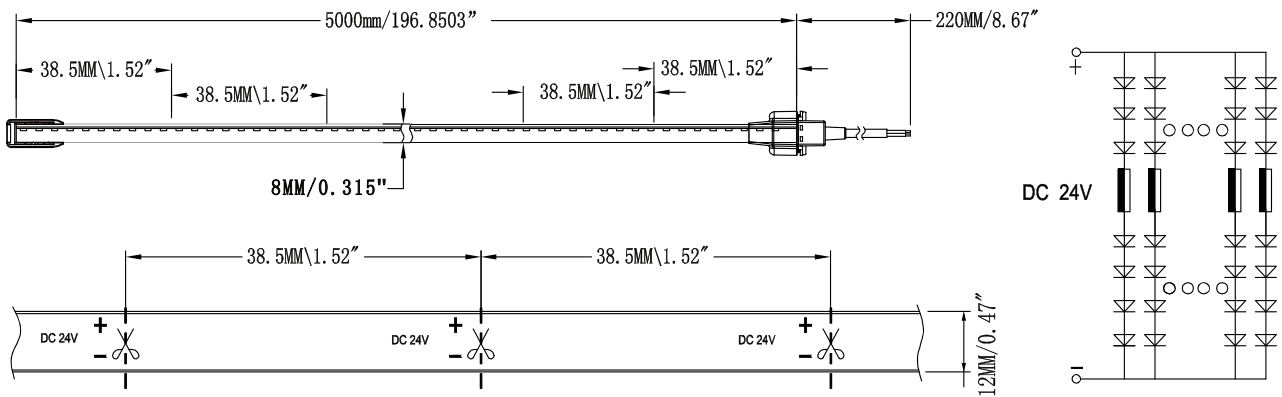
Accessories:

Name	Description	Quantity
External lock clip		1pcs/reel
End cap		1pcs/reel
Waterproof silicon tape		2pcs/reel
Mounting clips		20pcs/reel

Name	Description	Quantity
Cable connector		1pcs/reel
Inner lock clip		1pcs/reel
Screws		2pcs/reel
Screwdriver		1pcs/reel



Dimension & Circuit Drawings:



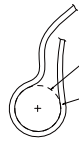
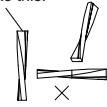
Installation Instruction:

surface which strip will be installed on
(inverse, vertical, horizontal or 90° vertically)

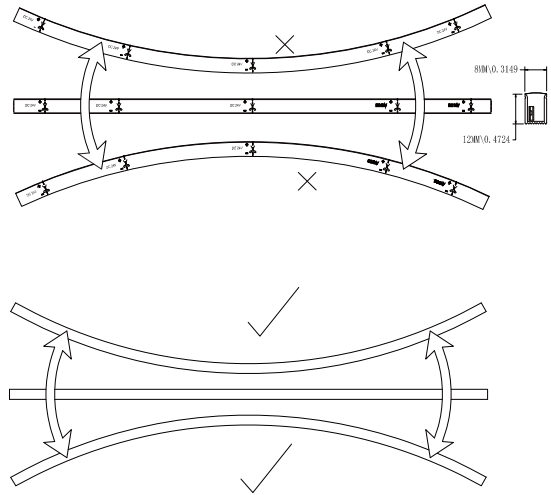
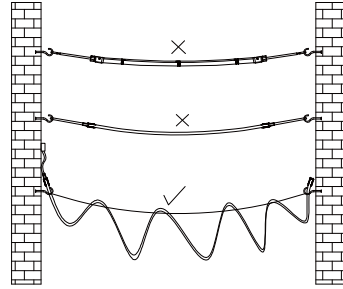
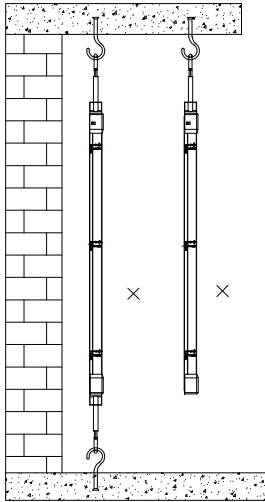
Base line which will be used in installing lamp.

1. Pull a string parallel LED strip which will be installed; as figure 1
2. Fix the clip on the base line, and the distance depend on practical situation, figure 2, figure 3;
3. After the clip is fixed, embed the LED strip into the slot with luminous surface closing to the thumb; as figure 4 figure 5;

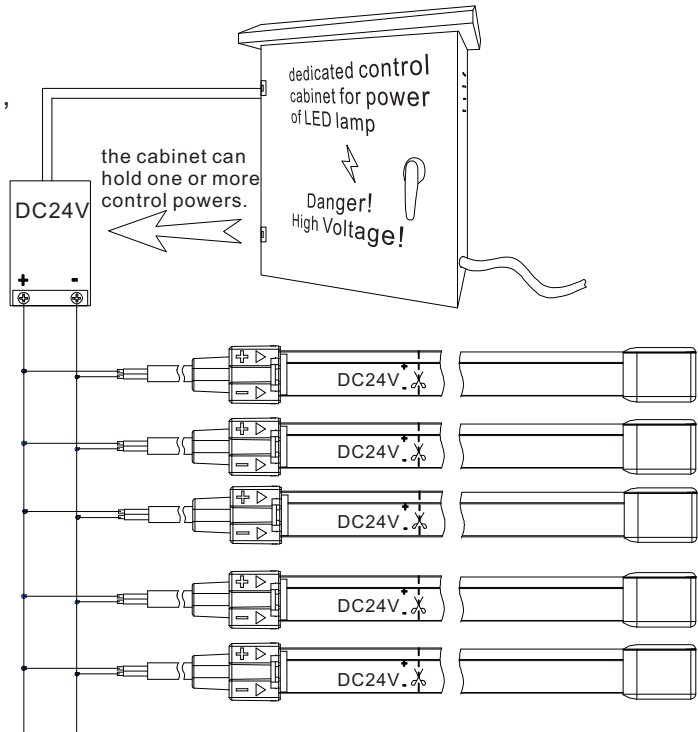
Do not twist like this!



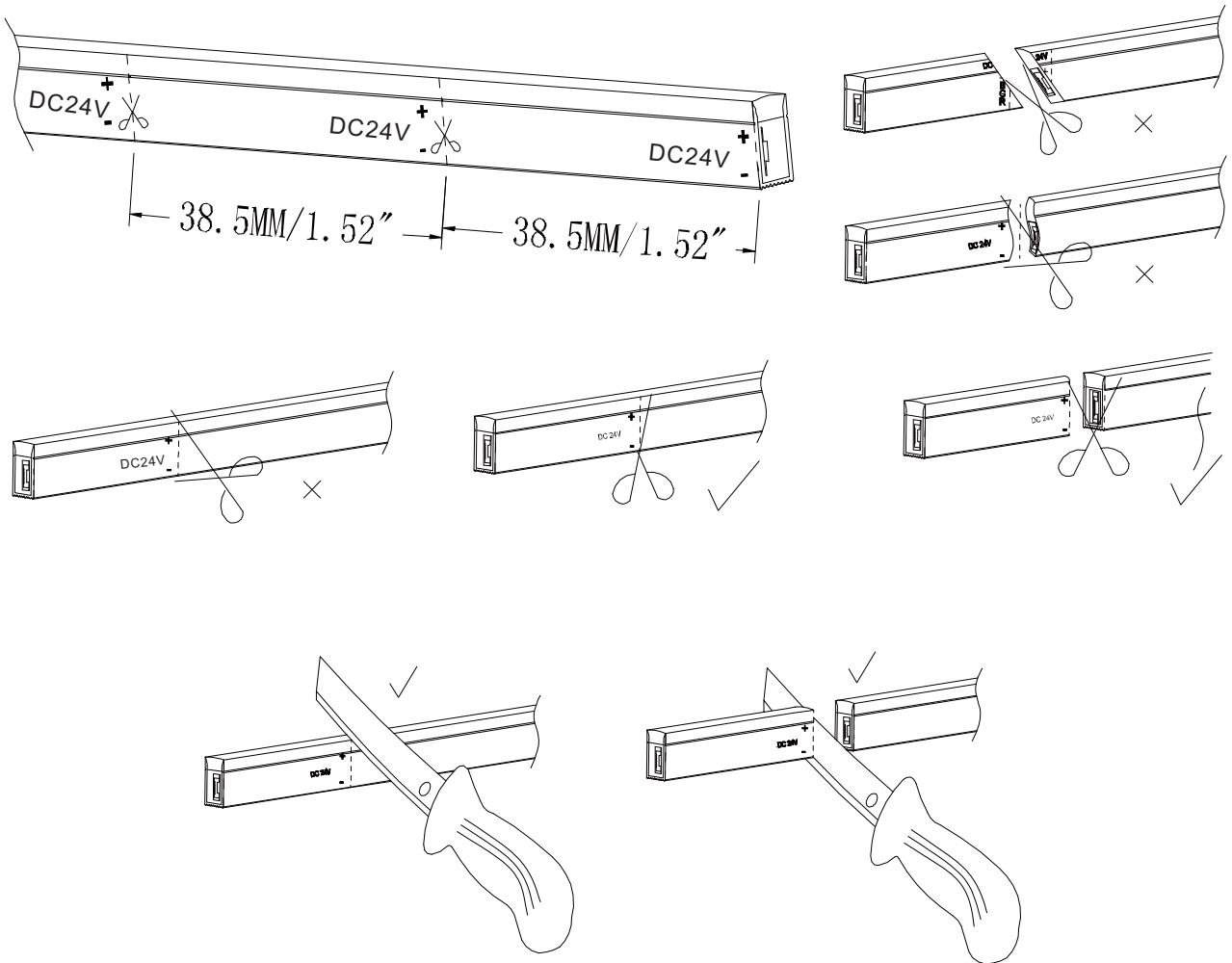
Minimum bend radius 100mm
Luminous surface of LED strip



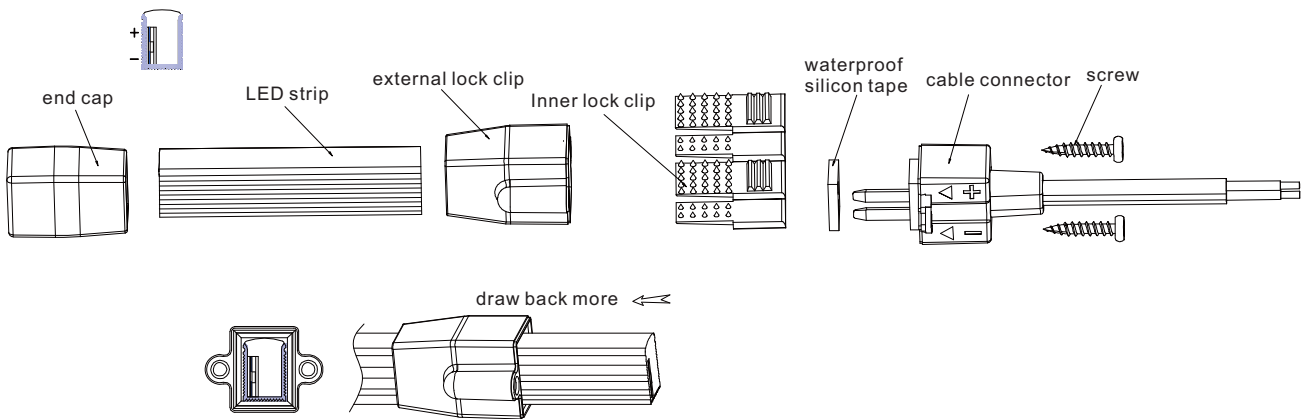
4. Connect power wire: as figure 1, use power cabinet (waterproof, moistureproof, dustproof).



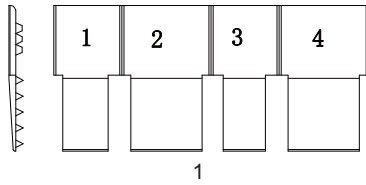
Cutting and assembly instruction:



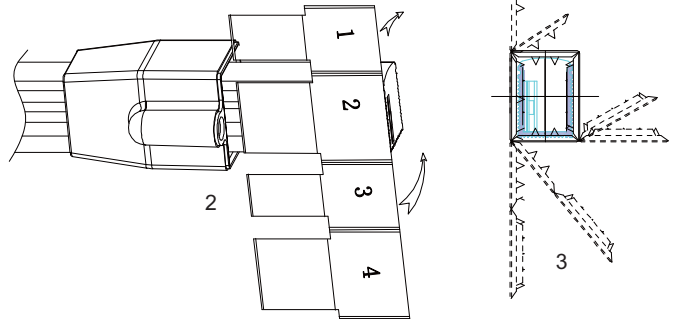
Installation instruction of cable connector



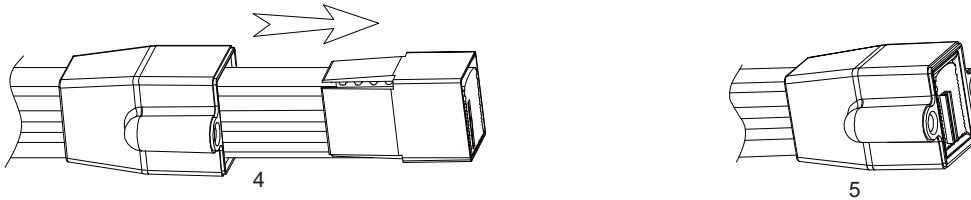
1) Prepare accessories, put external lock clip on and leave space from the end, as shown in picture 1.



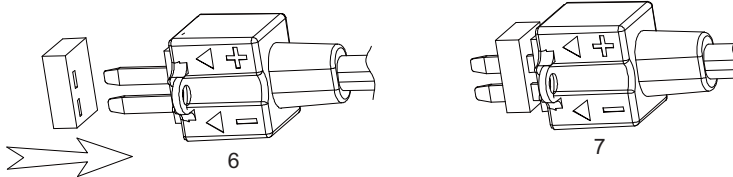
2) Align the inner lock clip, press part 2, tighten the clip as shown in pictures 2 and 3.



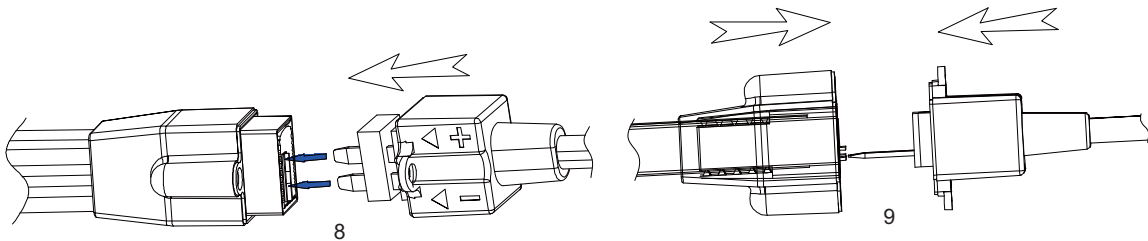
3) Pull the external lock clip to end of strip, make sure lock tightly, as shown in pictures 4 and 5



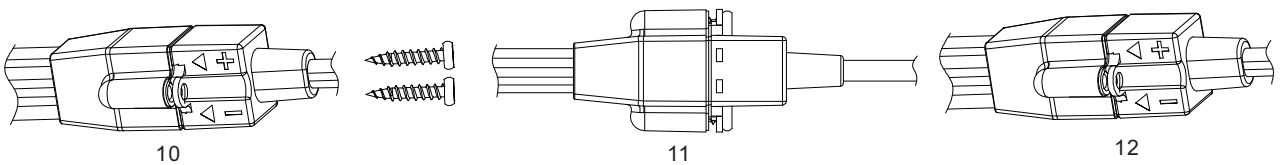
4) Put the waterproof silicon tape into cable connector, as shown in pictures 6 and 7.



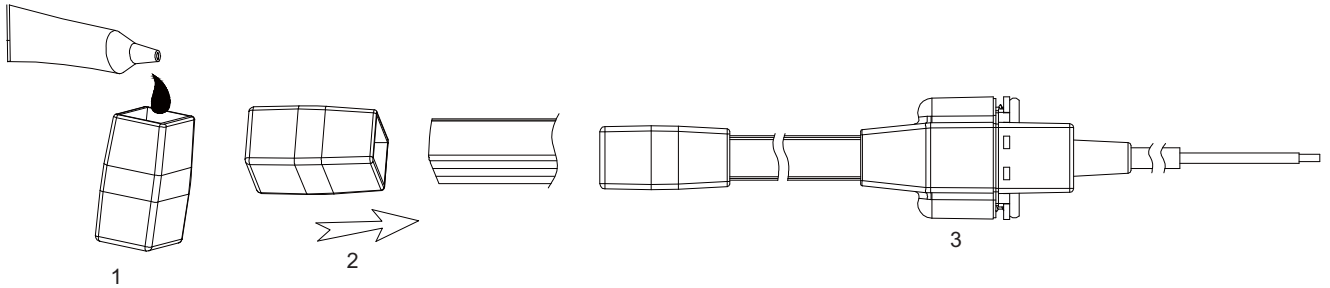
5) Install cable connector, make sure the polarity is correct, as shown in pictures 8 and 9.



6) Use screws to tight the cable connector, as shown in pictures 10, 11 and 12.



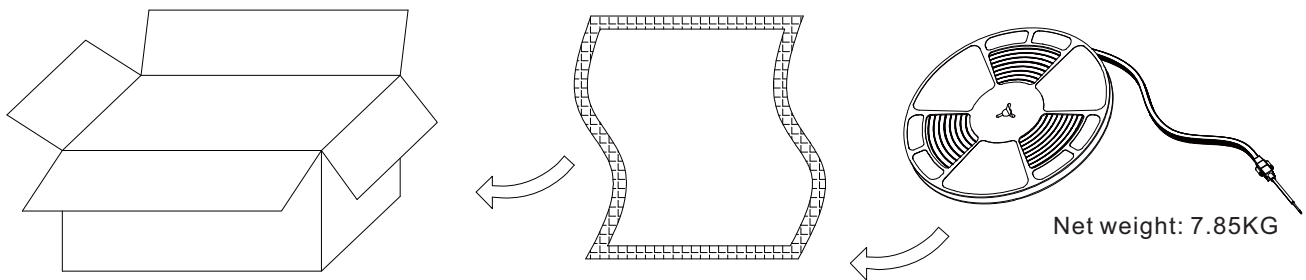
Installation instruction of end cap:



1) Drop glue to the end cap, as shown in picture 1

2) Insert strip to the end cap and dried up the glue to make sure end cap was tightened and totally waterproof, as shown in picture 2.

Packing instruction:



Safety information:

1. The LED strip should be installed on the surface of flame retardant, and thickness of wood or material exceed 2mm;
2. Please read the specification first, to make sure the service environment matches the condition in the specification before using.
3. Please confirm input voltage, disconnect power before use;
4. Cut the strip according to the logo on the strip;
5. It can only be used neutral environments.(PH6-8).