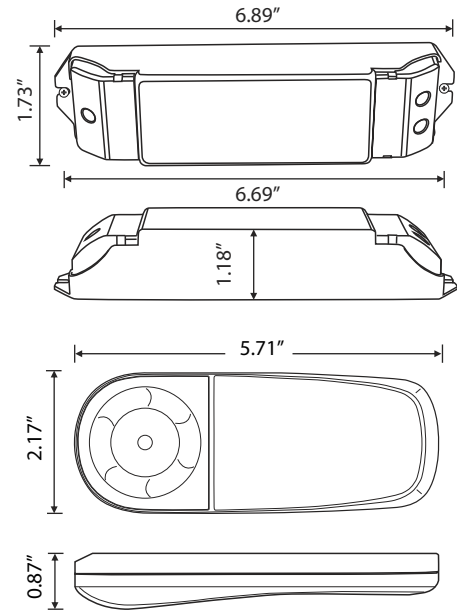


SPECIFICATIONS

Color Wheel RGB 10 Zone Controller and Receiver Kit



PRODUCT NAME	Color Wheel RGB 10 Zone Controller and Receiver Kit - 6A, 5-24VDC
URL	Click Here
SKU	KIT: LC-LT-RGBB-KIT / REMOTE: LC-LT-RGBB-CR / RECEIVER: LC-LT-RGBW-TC
DESCRIPTION	<p>Our Color Wheel 10 Zone RGB Controller uses the most advanced 2.4GHZ RF wireless transmission technology to sync an unlimited amount of RGB receivers to up 1-10 zones. Built-in with 16 changing modes, using advanced PWM (pulse width modulation) control technology to create smooth color changing effects with no flickering. Unique full-color circle touch control technology, 10 touch keys on the receiver, you can select the functions of switch, pause, changing modes, speed and LED brightness, all functions can be achieved by remote controller, controller can automatically adapt to the input voltage of DC 5V-24V. the controller is designed with 4 wires 3 loops output, widely used for all LED lights with current-limiting resistance, such as RGB LED module, LED Strip Lights, LED Wall Washers or any other 5-24VDC Constant Voltage LED Lighting product.</p>
SUPPLY VOLTAGE	5-24VDC Constant Voltage
CONNECTION TYPE	4 pin, 3 loop, Common Anode
OUTPUT CURRENT	6A Per Channel Max
OUTPUT POWER	12VDC - 216W 24VDC - 432W
WARRANTY	1 year manufacturers

These specification are subject to change without notice. This specification information is from the manufacturer of this product. Ecolocity LED is not the manufacturer of this product.
Copyright © 2014 Ecolocity LED