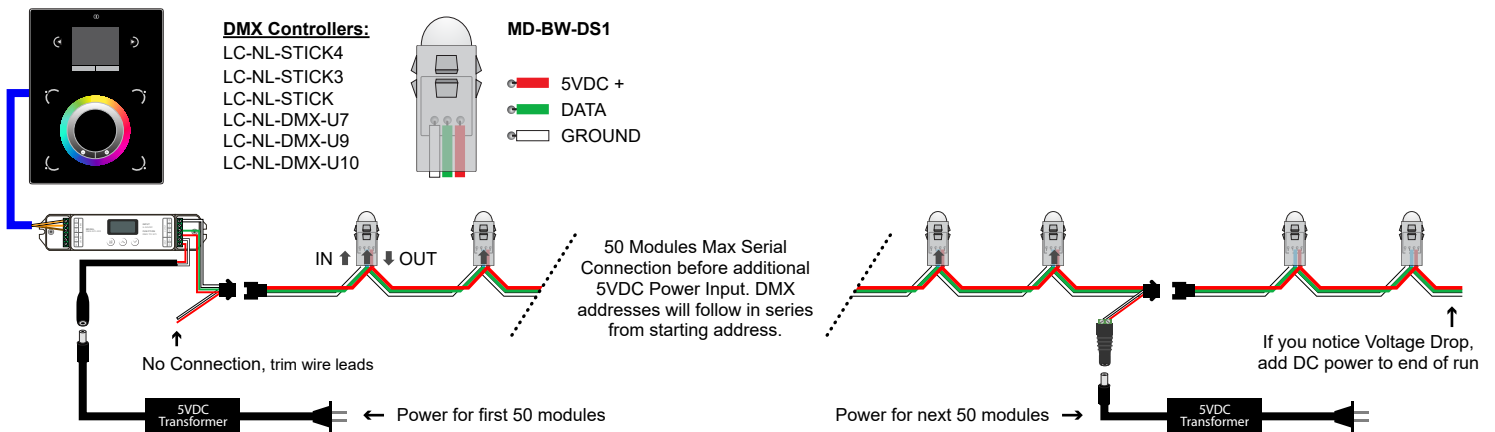


Digital IC type LED lights have a directional data input/output flow, you must follow this flow or you will damage the electronics. Always input your data signal to the "DI" wires (DATE INPUT). Never wire from your DMX decoder to the "DO" wires (DATA OUTPUT). When cutting and connecting digital LEDs be sure to never reverse the flow of the string. Arrows are printed on the modules and "DI" (Data in) "DO" (Data out) on the strips to distinguish the directional flow, do not reverse this direction.

Digital Dot Lights, 1903 IC - 5VDC



Digital LED Strip Lights, 1803 IC - 12VDC

