

ROUTER BIT STORAGE CASE MOUNTING INSTRUCTIONS



(A) Mounting the Cabinet Bracket to the Bit Case

The mounting bracket holes will align with the holes of the top bit rack. You should first choose the location of the top rack. Using the two 1⁵/₈" Socket Head Wood Screws, attach top rack and mounting bracket as shown.

(B) Mounting the Wall-Mount Bracket

Securely mount wall-mount bracket to wall by locating a stud or using some type of adequate anchor device (not provided).

Warning: The Router Bit Storage Case will be very heavy when loaded. Secure mounting is critical.

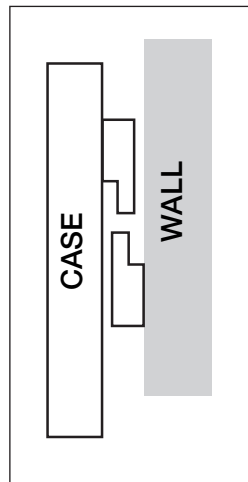
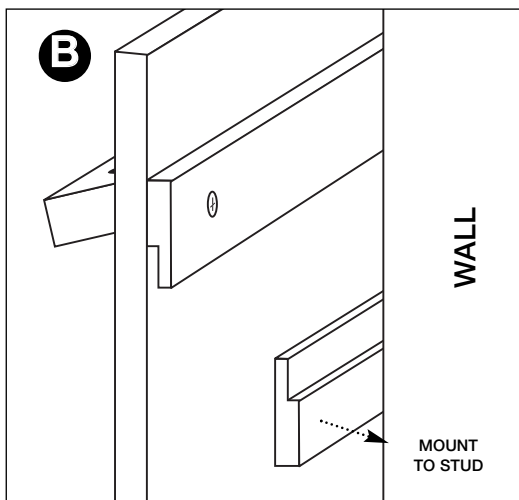
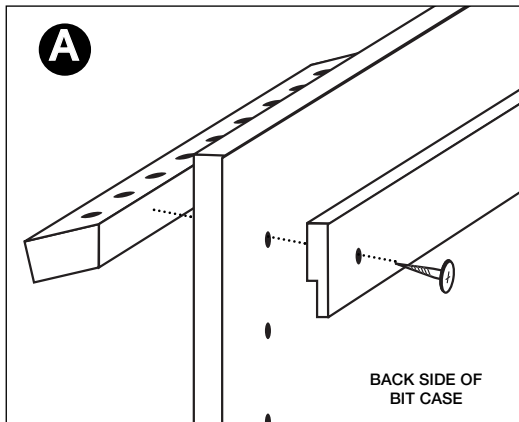
Racking

We have enclosed (6) racks with the Storage Case. Adjust racking to fit your collection of router bits using the 1⁵/₈" Socket Head Wood Screws.

Note: 1) Depending on length of bits, you may not use all of the racks. 2) The bottom bar is not adjustable.

Attaching Door Handles

The handles mount to the far left and right sides. Position the holes to the lower side of the Storage Case. Simply bow the polycarbonate doors to fit in the grooves at the bottom and top of Storage Case.



Parts List:

- (10) 1⁵/₈" Socket Head Wood Screws
- (6) Bit Racks (5 adjustable and 1 fixed)
- (2) Polycarbonate Doors
- (2) Handles
- (4) 8-32 Truss Head Screws
- (1) Router Bit Storage Case
- (1) Mounting Bracket
- (1) Wall-Mount Bracket

