

# > em4

## Accessories

### Signal converters

- > Current/voltage conversion of em4 input signals
- > PWM/voltage conversion of em4 output signals



Signal converter

Specific characteristics			
Description	Input	Output	Code
0-20 mA/0-10 V input converter	4	4	88 950 108
PWM/0-10 V output converter	1	1	88 950 112

General characteristics	88 950 108	88 950 112
	Current/voltage converter	PWM/0-10 V converter

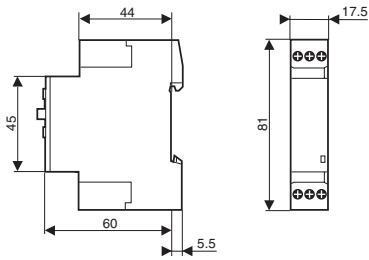
Environmental characteristics		
Certifications	CE	CE
Protection rating	In accordance with IEC/EN 60529: IP20 terminal block IP50 casing	In accordance with IEC/EN 60529: IP20
Operating temperature	-20 → +85 °C	-20 → +55 °C
Storage temperature	-40 → +85 °C	-25 → +70 °C

Electrical characteristics		
Supply	-	24 V $\overline{\text{---}}$ (+10 % / -15 %)
Input current	0-20 mA	-
Output voltage	0-10 V $\pm$ 5 %	0-10 V $\pm$ 5 %
Impedance	500 $\Omega$ (input)	250 W (maximum load)
Max. current	40 mA	40 mA (output)
Input PWM	-	24 V $\overline{\text{---}}$ (+20 % / -15 %, 120 Hz max.)
Short-circuit protection	-	Yes
Protection against polarity inversions	-	Yes (>10 s)
Absorbed power	0.8 W	1.3 W
Conversion time	-	440 ms (max): 0 → 100 % & 100 % → 0

Mechanical characteristics		
Cable length	-	< 10 m with shielded cable

Diagrams

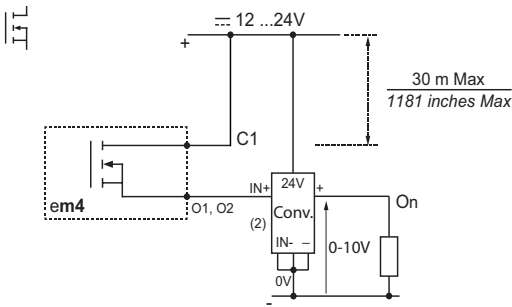
Dimensions (mm)



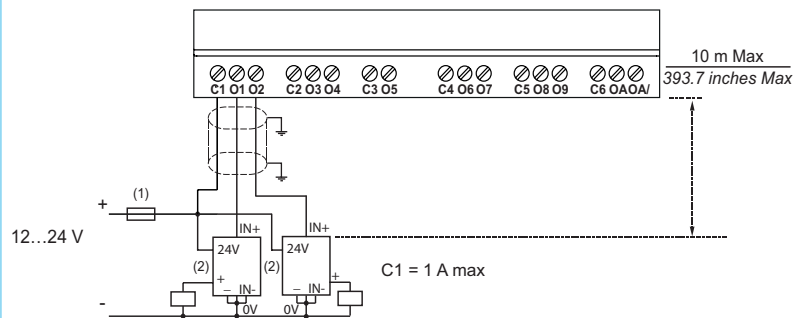
Connections

PWM/0-10 V output converter

O1 & O2



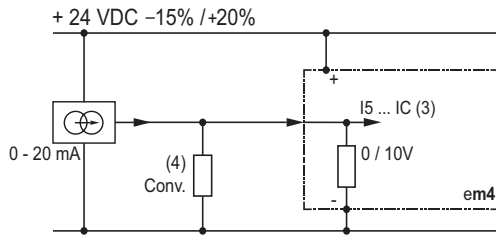
PWM



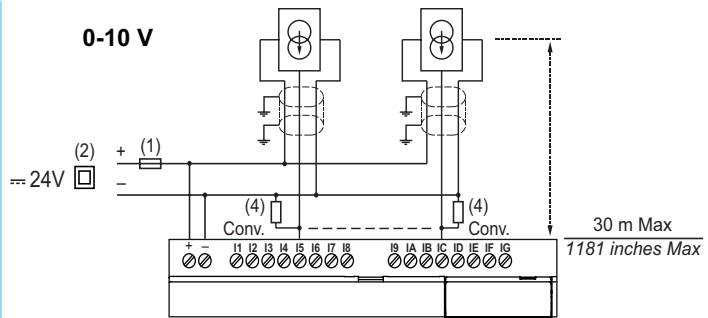
- (1) 1 A (UL248) quick-blowing fuse, circuit-breaker or circuit protector (US)
- (2) PWM/0-10V Converter

0-20 mA/0-10 V input converter

I5 ... IC U



0-10 V



- (1) 1 A (UL248) quick-blowing fuse, circuit-breaker or circuit protector (US)
- (2) Isolating source
- (3) Configured input "0-10V"
- (4) 0-20mA/0-10V Converter