

- > Switch mode power supply regulated and protected against overloads and short-circuits, easy to integrate into switchboards and enclosures
- > The potentiometer can be used to set the output voltage between 100 and 120 % to compensate for any voltage drops on the line
- > The LED continuously signals the presence of voltage at the output and, when flashing, triggering of the self protection
- > Broad range of supply voltage
- > Isolating source



7.5 W power supply



20 W power supply



60 W power supply

| Specific characteristics | | | | |
|--------------------------|--|---------------|------------------------|------------|
| Designation | Nominal output voltage | Nominal power | Nominal output current | Code |
| Modular power supply | 5 V $\overline{\text{---}}$ (4.75 V \rightarrow 6.25 V) | 20 W | 4 A | 88 950 305 |
| Modular power supply | 12 V $\overline{\text{---}}$ (11.4 V \rightarrow 15 V) | 25 W | 2.1 A | 88 950 306 |
| Modular power supply | 24 V $\overline{\text{---}}$ (22.8 V \rightarrow 28.8 V) | 7.5 W | 0.3 A | 88 950 303 |
| Modular power supply | 24 V $\overline{\text{---}}$ (22.8 V \rightarrow 28.8 V) | 15 W | 0.6 A | 88 950 304 |
| Modular power supply | 24 V $\overline{\text{---}}$ (22.8 V \rightarrow 28.8 V) | 30 W | 1.2 A | 88 950 307 |
| Modular power supply | 24 V $\overline{\text{---}}$ (22.8 V \rightarrow 28.8 V) | 60 W | 2.5 A | 88 950 302 |

| General characteristics | |
|--------------------------------|--|
| Environmental characteristics | |
| Conformity to standards | IEC/EN 60950-1 IEC/EN 61000-6-2 IEC/EN 61000-6-3 IEC/EN 61204-3 IEC/EN 60364-4-41 – SELV: Safety Extra Low Voltage EN 55022 (CISPR22) |
| Certifications | CE, UL, CSA, TÜV |
| Emission | Harmonic: IEC/EN 61000-3-2 |
| Operating temperature | -25 \rightarrow +55 °C |
| Storage temperature (°C) | -40 \rightarrow +70 °C |
| Protection class | Class 2 (Isolating source) |
| Electrical characteristics | |
| Input voltage | 100 \rightarrow 240 V a single-phase (-15 %/+10 %) |
| Supply frequency range | 50/60 Hz (+4 % / -6 %) or 47 \rightarrow 53 Hz/57 \rightarrow 63 Hz |
| Output voltage | Adjustable from 100 \rightarrow 120 % |
| Peak current on energisation | < 20 A (Except for 88950302: < 90 A during 1 ms) |
| Regulation of line and load | \pm 3 % |
| Immunity from micro power cuts | < 10 ms (100 V a) < 150 ms (230 V a) |
| Thermal protection | Yes |
| Technology | Primary switch mode electronic power supplies |
| Short-circuit protection | Yes |
| Overload protection | Yes |

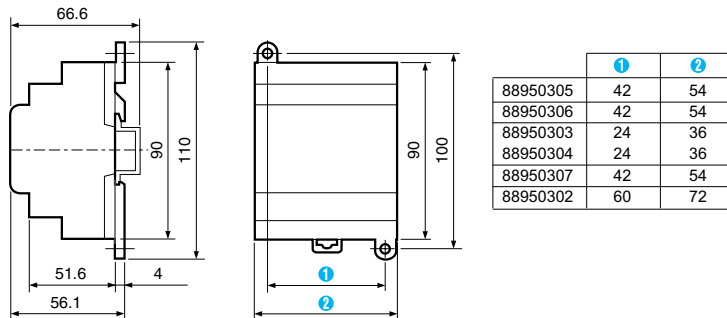
| | |
|----------------------|--|
| Primary protection | Fuse gG 2 A or circuit breaker 2 A curve D for 88950303, 88950304, 88950305, 88950306, 88950307 Fuse gG 3 A or circuit breaker 3 A curve D for 88950302 |
| Reset after overload | Automatic |
| Dielectric strength | Input/output 3000 VAC/50 Hz/1 mn |
| Status indication | LED at the output |

Mechanical characteristics

| | |
|-------------------------------------|---|
| Mounting | On section, 35 x 7.5 mm and 35 x 15 mm or on panel (2 x Ø4 mm) |
| Screw terminals connection capacity | Input connection 2 x 0.14 → 2.5 mm ² (AWG 26 → AWG 14) Output connection 1 x 0.14 → 2.5 mm ² (AWG 26 → AWG 14) |

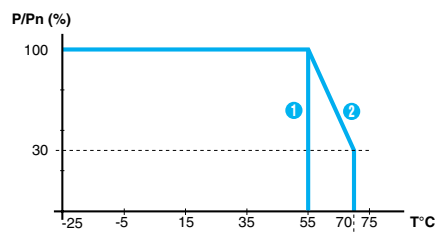
Diagrams

Dimensions (mm)



Curves

Derating



The ambient operating temperature of the power supplies is 55 °C. Above this, a derating is needed up to a maximum operating temperature of 70 °C. The chart below shows the power (compared to the nominal power) that can be permanently supplied by the power supply depending on the operating temperature.

① 88 950 302

② 88 950 30x