

FORSTER PRODUCTS

310 E. LANARK AVENUE, LANARK, ILLINOIS 61046 PHONE 815-493-6360 (FAX 815-493-2371)

www.forsterproducts.com

CO-AX® PRIMER SEATER INSTRUCTIONS

This product is supplied with: Shellholder Jaws (028271-016), Large Primer Tube only for Primer Seater (011521-011LG), Small Primer Tube only for Primer Seater (011521-011SM), Primer Assembly, Large for Primer Seater (011521-101), Primer Unit, Small for Primer Seater (011521-100).

INSTRUCTIONS FOR PRIMING

Select either the large or small priming assembly and set it in place by inserting it from the back of the tool. Move the assembly forward so that the front end is even with the milled surface the jaws travel in and so that the milled top surface is squared right and left with the front of the tool. It is important to get this correct, as the primer tube bottoms on the top of this flat surface and all dimensions are zeroed to this tolerance. One way is to lock the jaws to the center and move the assembly forward until it hits the back side of the jaws. Bring the primer tube in from the top at this point and you should be able to see that everything has moved into its proper place. Lock the set screw on the side of the base.

The supplied jaws will work on most boxer-primed cartridge cases having a rim thickness of .050 to .070 and are easily identified and matched with a small dot on the .050 end. (See inset on reverse page.)

It is necessary to first determine which end of the jaws you are going to use and set them accordingly. Most loading manuals give complete cartridge dimensions as part of the loading data for that caliber. Loosen the jaws slightly and center the primer pocket on the priming punch by depressing the handle slightly. With slight pressure on the handle, move each jaw onto the rim and lightly tighten the socket head screws. Rotate the case so that it moves freely; if it does not, loosen the jaw at the point of friction, rotate the case, and relock the set screw. This is necessary because the primer pockets are not always concentric and this method will build this tolerance into the setting. Now, lock the jaws and try a few cases to make sure the jaws are properly located and locked.

One may use the Seater free hand or it may be fastened to your bench. The primer tray is built into the base casting. Pour your primers into the tray and justify all with the anvil side up. After the primers are all anvil side up, insert the tube in the channel at the end of the tray and tip the tool toward you and downward to the right. The primers will all run into the tube. Hold the handle of the press down and put the tube into the tube channel of the tool, place the tool on a bench or flat surface, and you are ready for priming.

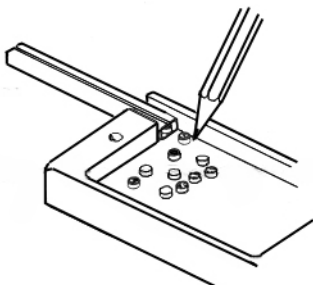


FIGURE A

When the tool is mounted on your bench, place the tube in the channel built for it as shown in Figure A and brush the primers in that are anvil side up, turn the tube over and brush in the remainder of the primers. Either way, remember that the anvil of the primer faces the slotted side of the tube. Use a paper clip through the hole provided to hold the primers in place until the tube is inserted in the tool.

Priming is one of the most important operations in reloading. Crushed, broken-tipped or protruding primers are either dangerous or will cause variations in pressures.

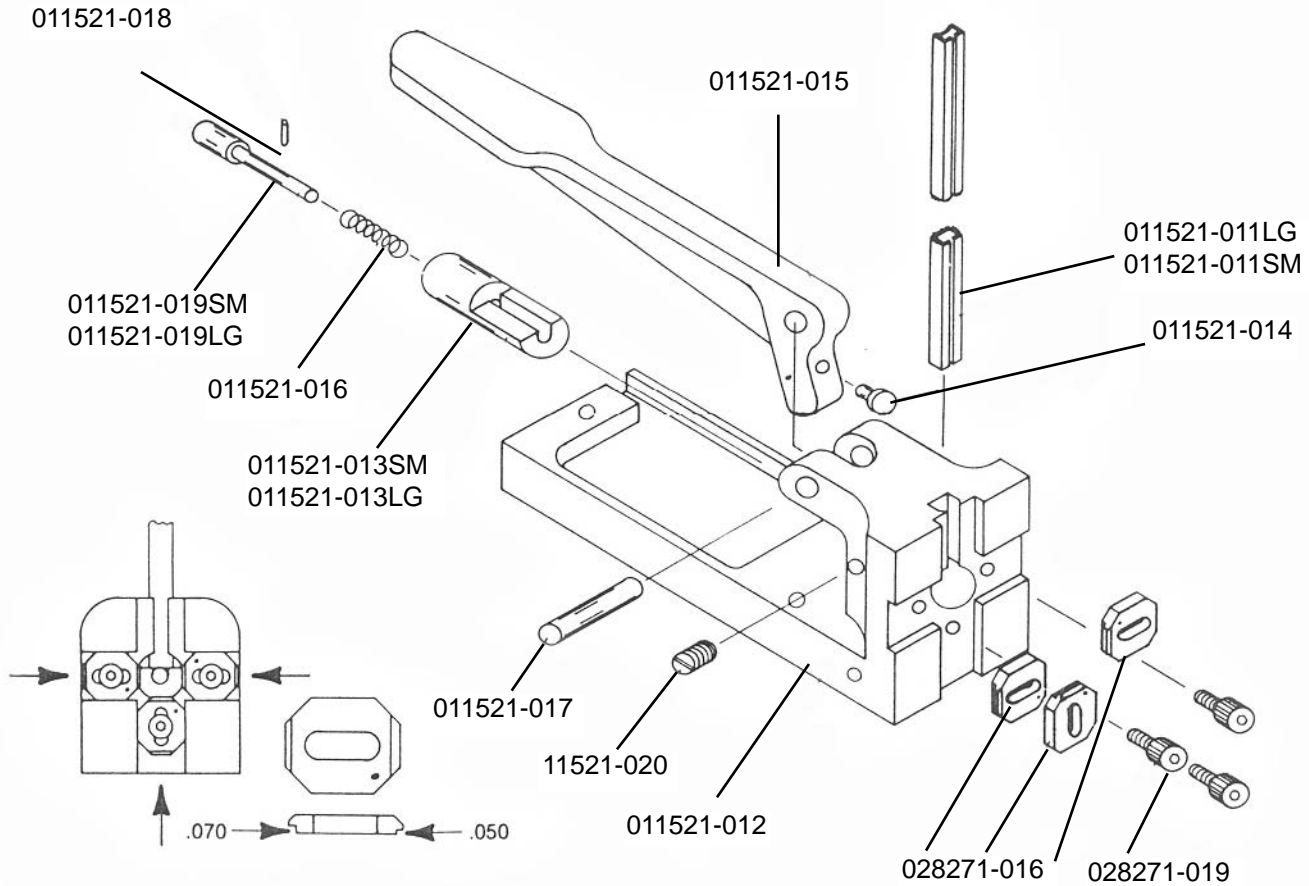
NOTE — Seat primers with a slow, steady pressure to avoid breaking the primer pellets or setting off the primer. Avoid any sudden or sharp blow when working with primers. Wear safety glasses when reloading and always position yourself so that you will not be injured in case of accidental explosion. To dissipate pressures,

the primer tube is open. This opening should be turned away from you.

The tube bottoms against the flat surface of the primer housing (Part #013). The bottom of the tube must be finished in slightly for proper functioning. For several reasons, the tube is made of a light, soft material which may be bent, filed or trimmed with a penknife. The slot in the tube also permits visual inspection to determine if any primers are reversed. Always clean your primer pockets.

CAUTION — To avoid the danger of forcing a live primer against a live seated primer, place all unprimed cases in a loading block with the rims up. While priming, keep additional supplies of primers, powders and flammables well away from your immediate work area and out of the reach of children.

CO-AX® PRIMER SEATER INSTRUCTIONAL DIAGRAM



DESCRIPTION

ITEM NUMBER

QUANTITY

Screw, socket	028271-019	3
Jaw, shellholder	028271-016	3
** Jaw, shellholder .45 Auto Rim	028271-016 (45 auto)	3
Base, primer	011521-012	1
Screw, set	011521-020	1
Pin, handle	011521-017	1
Primer Assembly, large	011521-101	1
Primer Assembly, small	011521-100	1
*Housing, large	011521-013LG	1
*Housing, small	011521-013SM	1
*Spring	011521-016	1 each
*Post, large	011521-019LG	1
*Post, small	011521-019SM	1
Roll Pin	011521-018	1 each
Handle, primer	011521-015	1
Tube, large	011521-011LG	1
Tube, small	011521-011SM	1

* **Note** — Items are sold as an assembled unit only, not as individual parts.

** **The .45 Auto Rim has .090" milled on one end and .050" on the reverse.**

Thank you for purchasing a Forster Precision Product. Please wear safety glasses.

Forster Catalogs are available upon request.

011521-001 Rev. 2