

# Gypsy Moth Trap Assembly Instructions

## Your Gypsy Moth Trap Includes\*:

- Trap Body
- Trap Hood

## Assembly Requirements:

- Stapler
- Twine & Twist Tie
- 1 Binder Clip

## Optional:

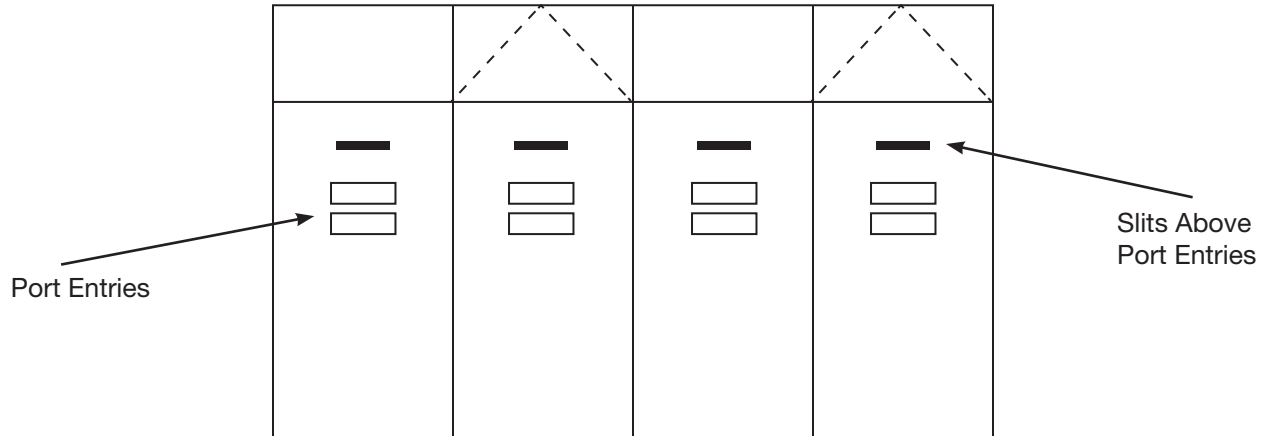
- Sticky Stuff Adhesive **Or**
- Tangle-Trap Sticky Coating

\*Gypsy Moth lures sold separately.

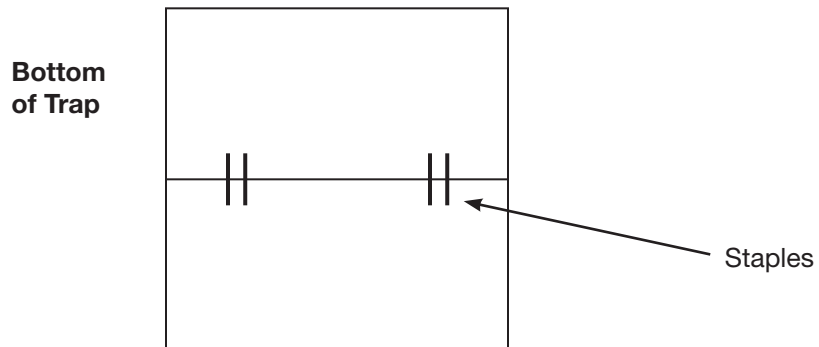


# Gypsy Moth Trap Assembly Instructions

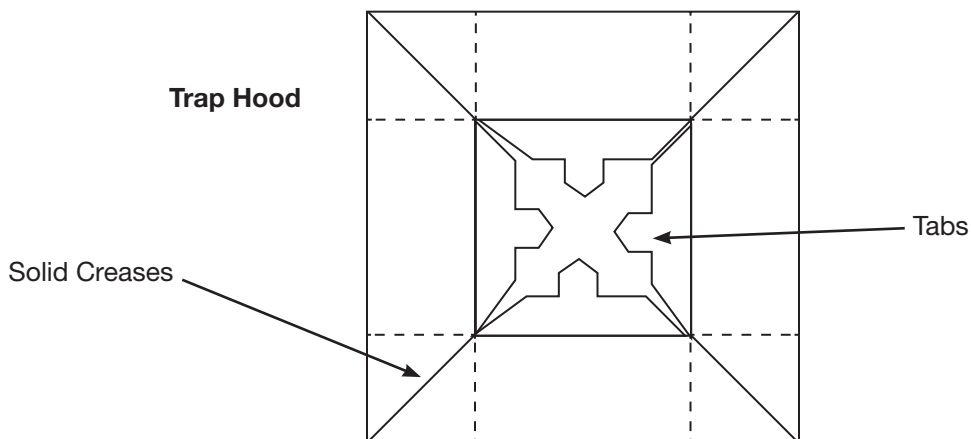
1. Pop out the paper inserts from the eight entry ports of the trap body and crease the body lines several times.



2. Open and invert the trap, then fit the bottom together and staple, as shown below, with stapling pliers.



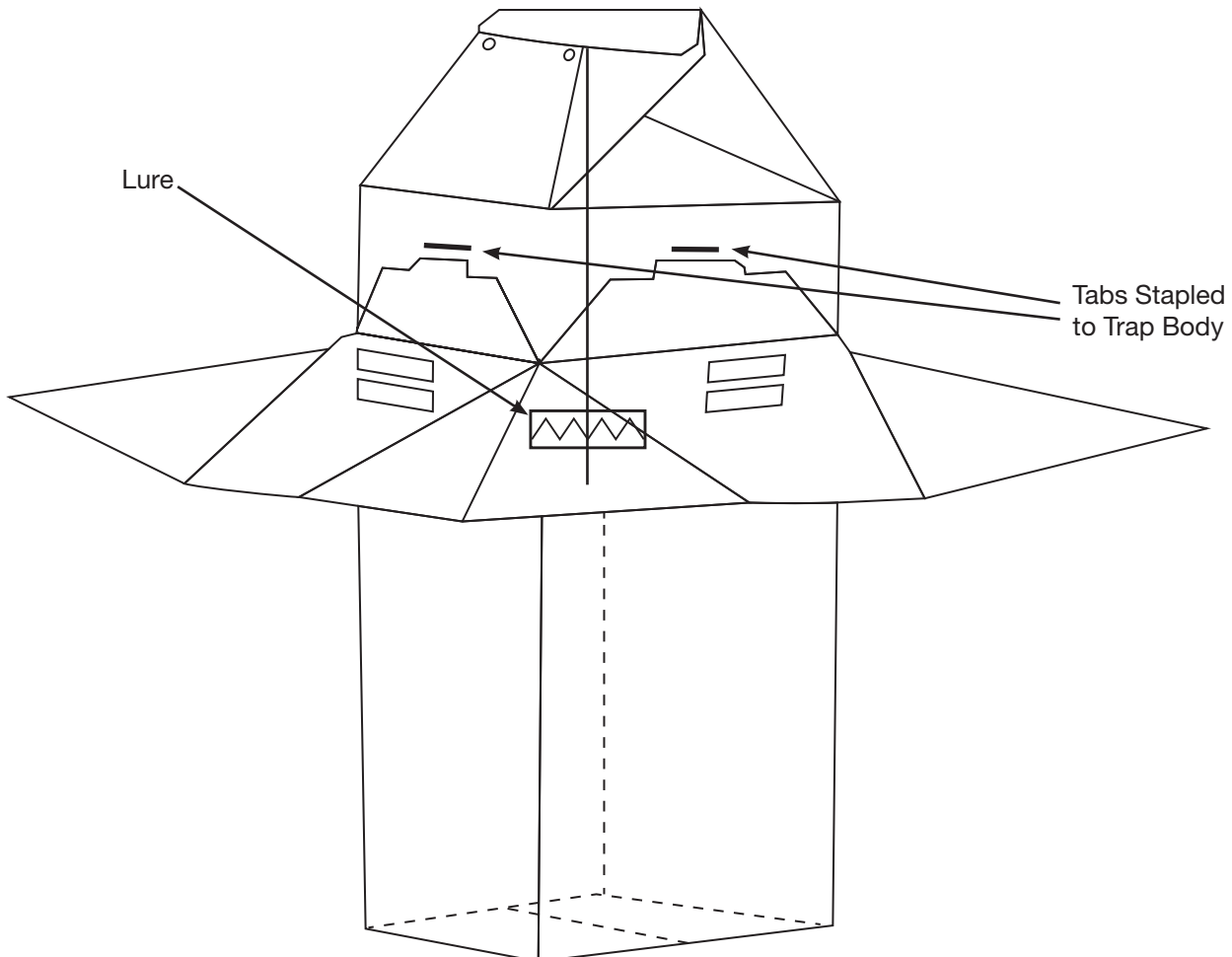
3. On the trap hood, pop out the 4 filler squares. Crease center tabs upwards. Crease solid corner lines.



## Gypsy Moth Trap Assembly Instructions

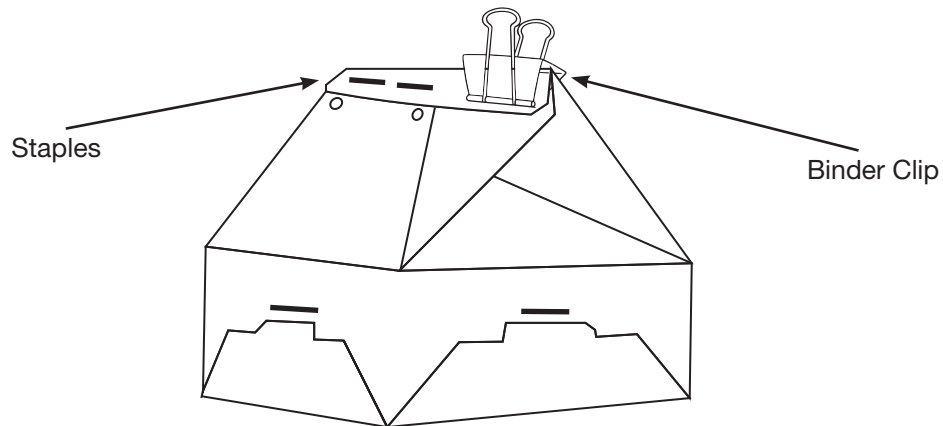
4. Slide the hood (shiny side up) over the top of the trap and down the body of the trap until the tabs in the center of the hood are below the slits located above the eight entry ports.
5. Now slide the hood back up the body of the trap, so that the small tabs on the hood slide into the slits on the trap body. Staple the tabs to the inside of the trap body.
6. Staple the gypsy moth lure to a twist tie or twine. The lure should hang down the center of the trap. Attach the twist tie or twine to the center hole in the top. Secure with staple.

Increase moth capture by adding an insect trap adhesive such as Stiky Stuff Adhesive or Tangle-Trap Sticky Coating to the inside of the trap.



## Gypsy Moth Trap Assembly Instructions

7. Fold the top ends of the trap together. (The end with the diagonal crease is the pour spout — do not staple the pour spout.) To close the trap, staple the sides of the top half of the top of the trap that is not the pour spout together. Use a binder clip to secure the sides of the pour spout together.



### Assembled Gypsy Moth Trap

8. To hang the trap, staple a 24 inch length of cotton twine (20 ply or stronger), to the top center of the gypsy moth trap.

Hang traps in trees 4-5 feet off the ground when adult gypsy moths are active.

