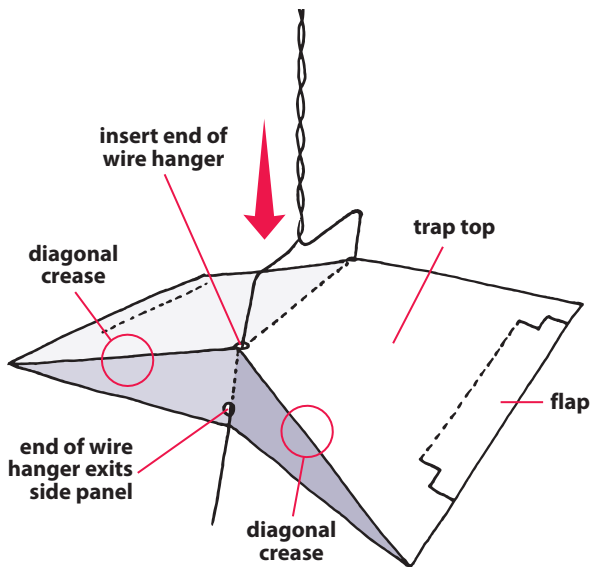


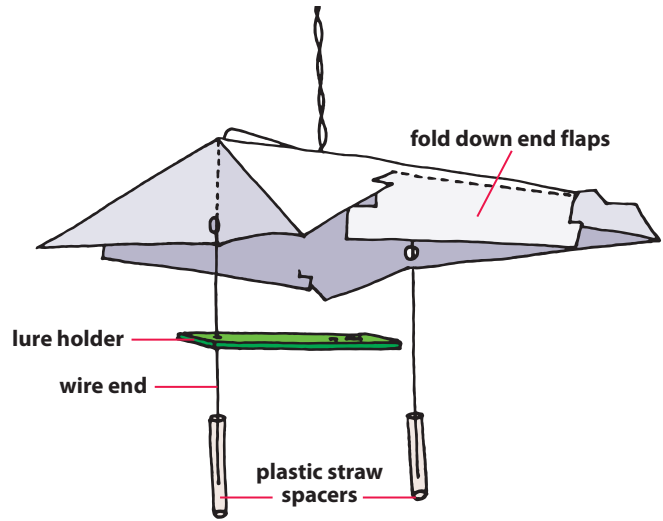
Wing Trap – ASSEMBLY & USE

Item List: Trap Top • Trap Bottom • 2 Plastic Straw Spacers • Wire Hanger • Lure Holder



- 1** Fold top inward along each of the four diagonal creases.

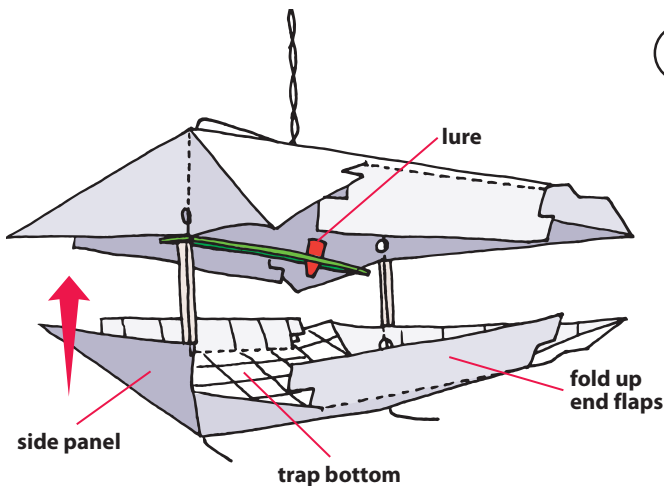
Straighten wire hanger and insert ends through holes in trap top. Bring ends through holes in side panels from the inside and push the wire hanger down as far as possible.



- 2** Fold down end flaps on trap top.

Thread lure holder onto either one of the wire ends using end of lure holder with one small hole. This allows lure to be suspended between top and bottom of trap.

Slide each straw spacer up the wire ends.



- 4** With sticky side up, fold the side panels of one of the trap bottoms inward, and fold end flaps upward.

Insert wire ends through the holes in side panels from the outside and through the lower holes from the inside.

Slide the trap bottom up snug to the straw spacers.

Bend the end of the wires upward.

- 5** To hang, wrap twisted part of wire hanger securely around a tree limb or other support.

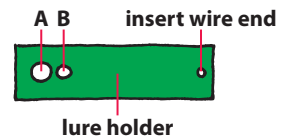
- 3** Remove one lure from foil pouch. Attach lure to lure holder as follows:

Rubber Septa Lure:

Fit into either A or B of lure holder.

Fiber Lure:

Remove backing from lure and adhere to end of lure holder, covering A and B.



Without lure holder, attach lure to trap as follows:

Fiber Lure:

Remove backing from lure and adhere to inside surface of trap top.

All Other Lures:

Place on sticky surface of trap bottom, taking care not to coat the surface of the lure with the glue from the trap.

NOTE: To prolong storage life, refrigerate or freeze unused lures in their sealed pouch.

To avoid cross-contamination, only handle traps and lures for one specific insect species at a time. Wash hands and working surfaces thoroughly before assembling and baiting traps for other species.

To inspect trap and remove insects, and to re-bait trap, straighten one wire end and lower trap bottom on that side. For further use, return bottom, spacer and wire to their original positions.

See opposite side for list of insects monitored by Wing Trap.

Wing Trap

For use in monitoring:

Almond Moth	Indian Meal Moth/Raisin Moth
American Hornet/Ironweed	Lacanobia Fruitworm
Clearwing	Leek Moth
Apple Clearwing Moth	Lesser Appleworm
Army Cutworm	Lesser Peachtree Borer
Armyworm	Light Brown Apple Moth
Arthurs Sunflower	Macadamia Borer
Artichoke Plume Moth	Obliquebanded Leafroller
Banded Sunflower Moth	Olive Moth/Citrus Flower Moth
Beet Armyworm	Omnivorous Leafroller
Black Cutworm	Orange Tortrix
Black Gum Borer	Oriental Fruit Moth
Blackhead Fireworm	Pale Western Cutworm
Boll Weevil	Panathrene Asilipennis
Cabbage Looper	Peach Twig Borer
Carob Moth	Pear Leafroller
California Red Scale	Pecan Nut Casebearer
Cherry Bark Tortrix	Plum Fruit Moth
Cherry Fruitworm	Potato Moth
Cigarette Beetle	Redbanded Leafroller
Clearwing Borer	San Jose Scale
Banded Ash Borer	Sequoia Pitch Moth
Lilac/Ash Borer	Southern Armyworm
Oak Borer	Southwestern Pine Tip Moth
Peachtree Borer	Soybean Looper
Rhododendron Borer	Speckled Green Fruitworm
Clover Cutworm	Spodoptera Sunia
Codling Moth	Spotted Fireworm
Cranberry Girdler/SOD Webworm	Spotted Tentiform Leafminer
Diamondback Moth	Squash Vine Borer
Dingy Cutworm	Strawberry Crown Moth
Dogwood Borer	Summerfruit Tortrix
European Corn Borer	Sunflower Moth
Iowa Strain	Threelined Leafroller
New York Strain	Tobacco Cutworm
European Grape Berry Moth/ Grape Moth	Tomato Pinworm
European Grape Vine Moth	Tufted Apple Bud Moth
European Leafroller	Variegated Cutworm
European Pine Shoot Borer	Variegated Leafroller
Eyespotted Bud Moth	Viburnum Borer/Holly Borer
Fall Armyworm	Viburnum Crown Borer
Fall Armyworm PSU	Western Bean Cutworm
False Codling Moth	Western Poplar Clearwing Moth
Filbertworm	Blackberry Clearwing Borer
Fruittree Leafroller	Clearwing Chestnut Borer
Fruittree Tortrix	Persimmon Borer
Grape Tortrix	Raspberry Clearwing Borer
Grape Root Borer	Raspberry Crown Borer
Hickory Shuckworm	Western Pine Shoot Borer
Honeydew Moth	Wheat Head Armyworm