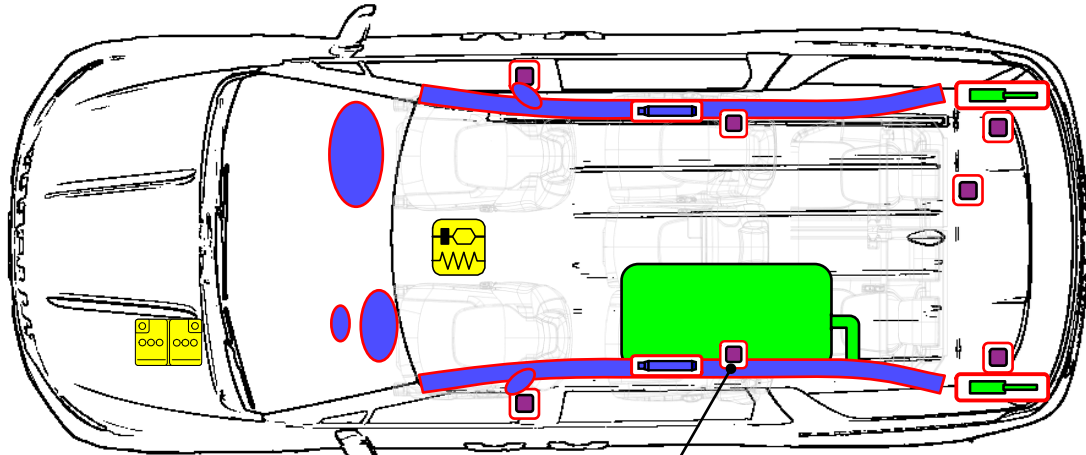
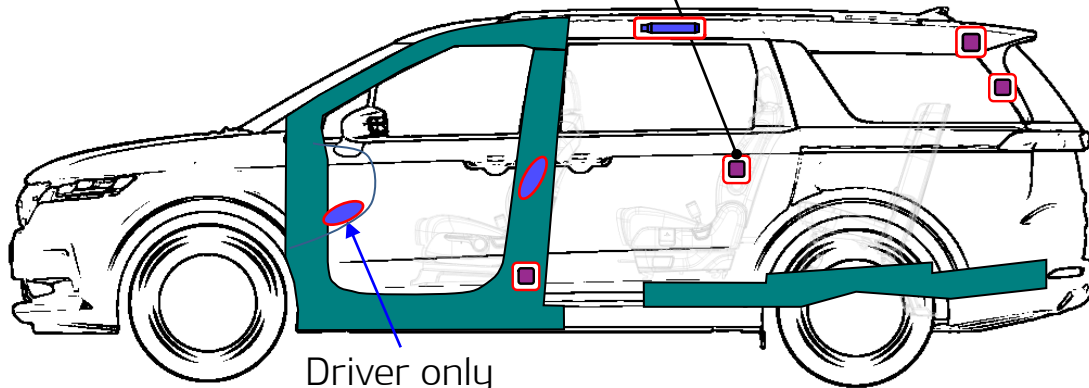




**Kia Carnival**  
VAN, 4 doors  
From October 2020



2<sup>nd</sup> row seat belt retractor (Inside the seat)



Driver only

	Airbag		Stored gas inflator		Seat belt pretensioner		SRS control unit		Pedestrian protection active system
	Automatic rollover protection system		Gas strut/Preloaded spring		High strength zone		Zone requiring special attention		
	Battery low voltage		Ultra capacitor, low voltage		Fuel tank		Gas tank		Safety valve
	High voltage battery pack		High voltage power cable/component		High voltage disconnect		Fuse box disabling high voltage system		Ultra capacitor, high voltage

ID No.	Version No.	Version date	Page
KNA-KA4-RSI-01-202010	01	10/2020	1 of 4

## 1. Identification / recognition



Carnival  
*Carnival*

## 2. Immobilization / stabilization / lifting

### ■ Immobilization

#### 1 Shift Lever



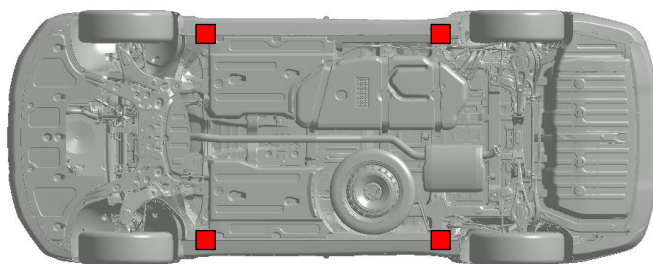
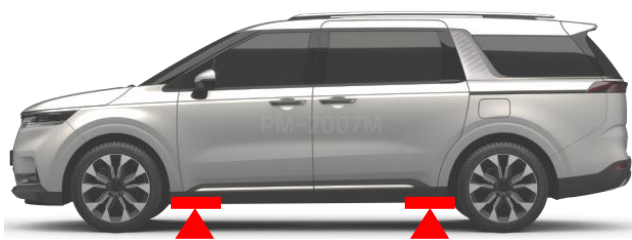
1. Move the shift lever to the P position.
2. Chock the wheels and pull the switch to set the parking brake.

#### 2 Dial SBW (Shift-by-wire)



1. Push the P button.
2. Chock the wheels and pull the switch to set the parking brake.

### ■ Lifting positions at car underbody : ■



	ID No.	Version No.	Version date	Page
	KNA-KA4-RSI-01-202010	01	10/2020	2 of 4

### 3. Disable direct hazards / safety regulations

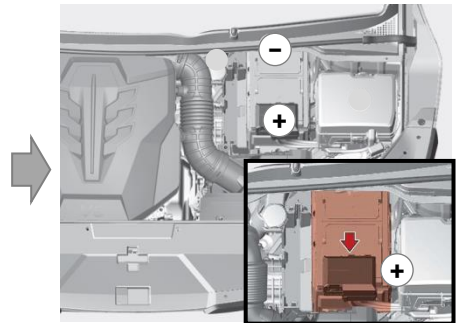
#### ☒ Access to the battery



1. Pull the release lever to unlatch the hood. The hood should pop open slightly.

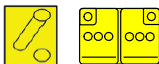


2. Go to the front of the vehicle, raise the hood slightly, push the secondary latch (1) up side and lift the hood (2).



Battery in the engine room

#### ☒ Disabling procedure



① Turn the ignition switch off

② Disconnect the negative(-) terminal

③ Disconnect the positive(+) terminal

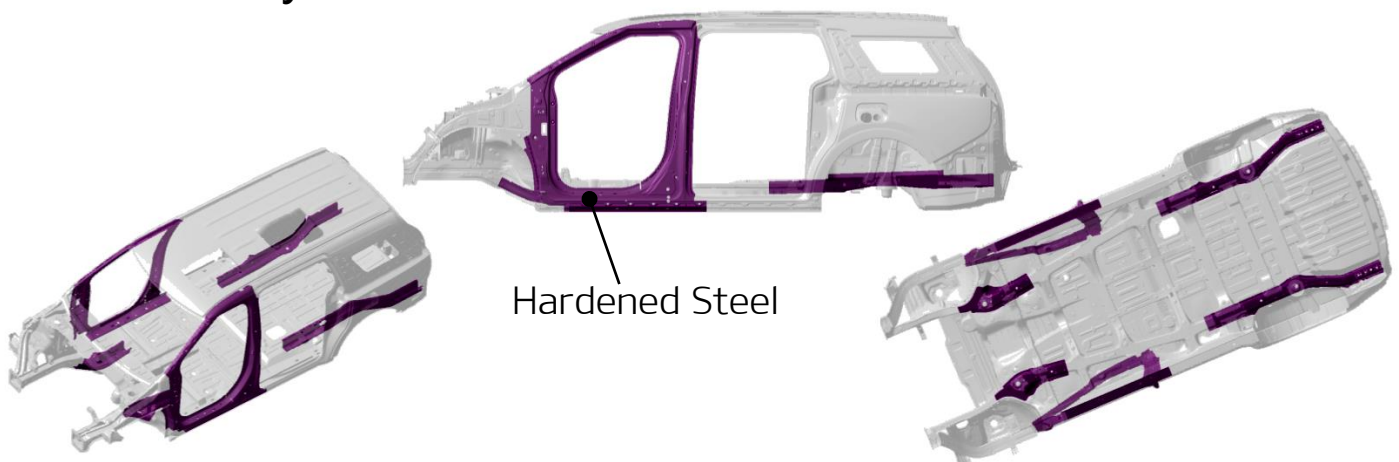
### 4. Access to the occupants

#### ☒ Glass

1 : Laminated  
2-5 : Tempered



#### ☒ Vehicle body



	ID No.	Version No.	Version date	Page
	KNA-KA4-RSI-01-202010	01	10/2020	3 of 4

## 5. Stored energy / liquids / gases / solids

### ☒ Fuel Tank

72ℓ

Gasoline

72ℓ

Turbo Diesel

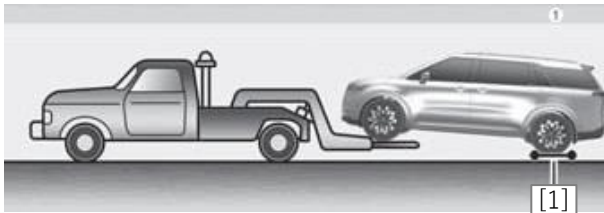
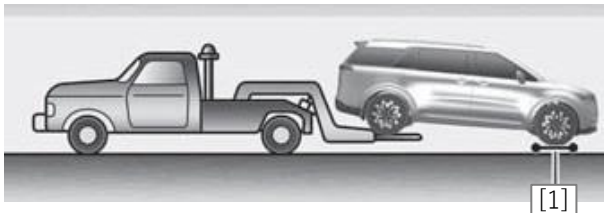
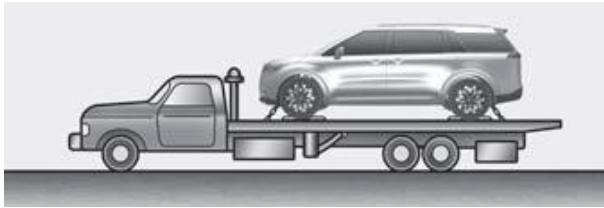
### ☒ Battery



12 Volt Battery

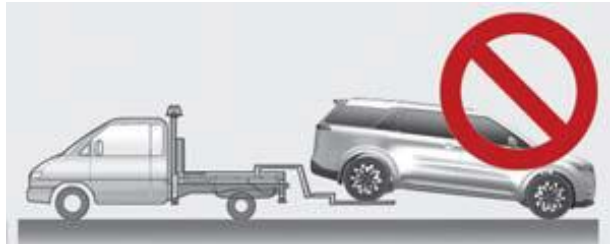
## 6. Towing / transportation / storage

OK :



[1] : Dolly

Not OK :



ID No.	Version No.	Version date	Page
KNA-KA4-RSI-01-202010	01	10/2020	4 of 4