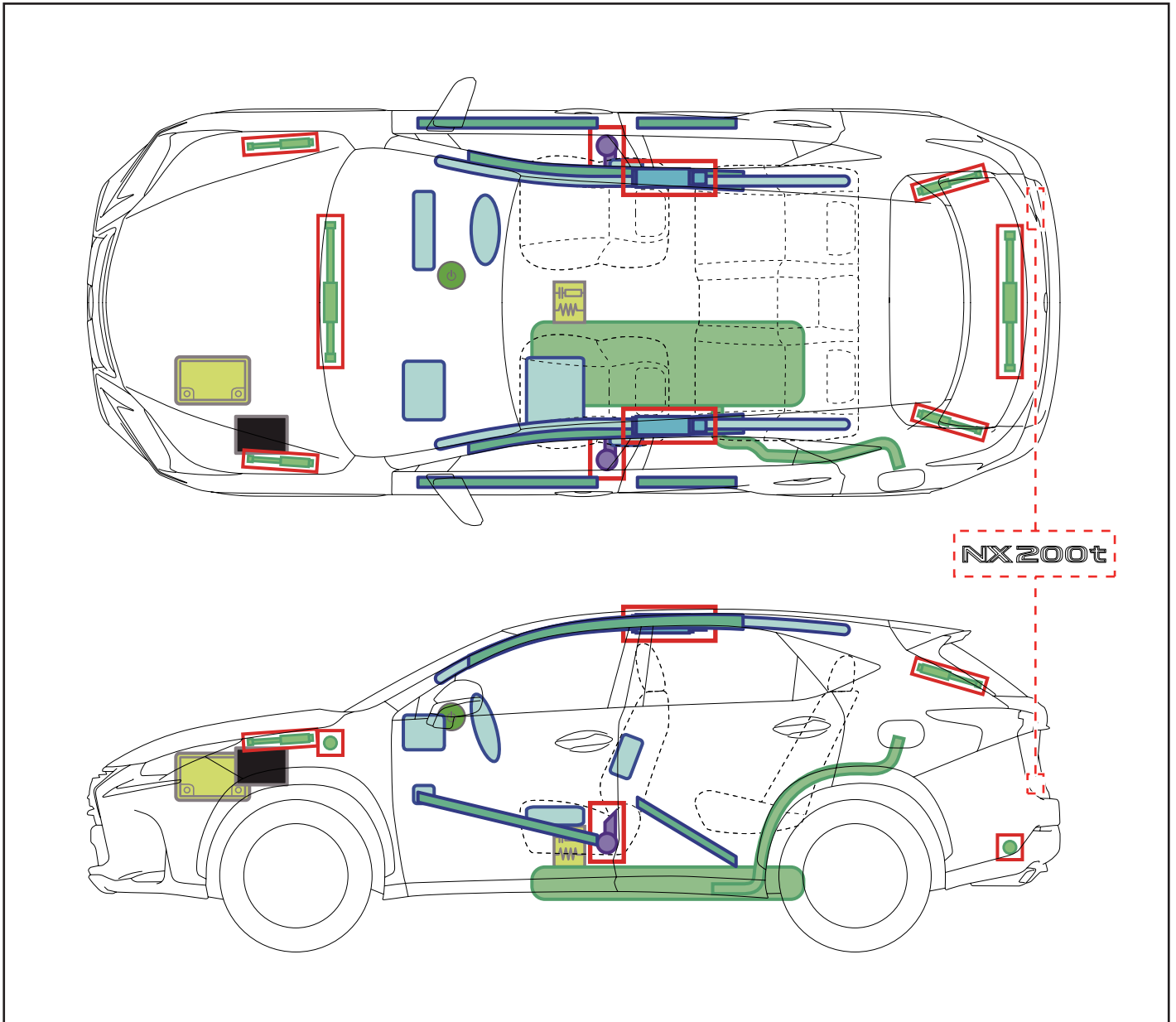
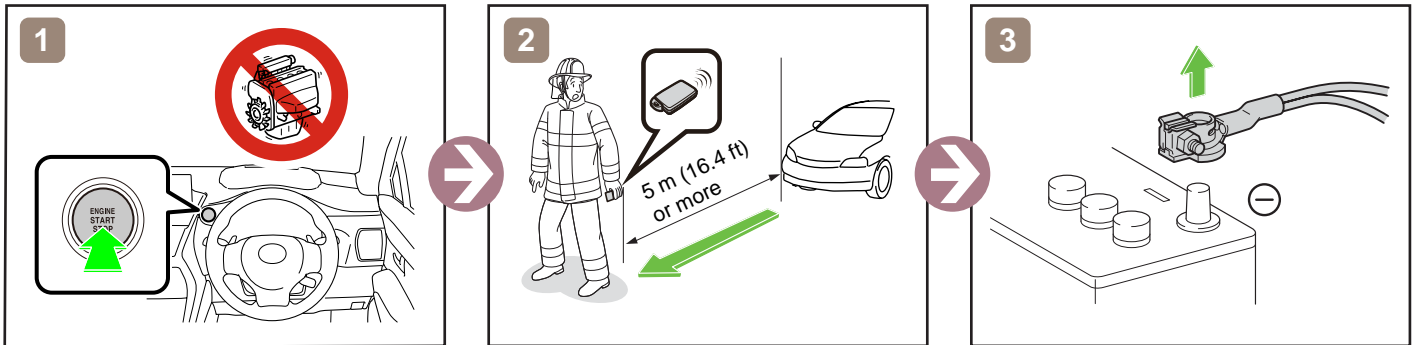


NX200t
/300
RHD
2014-10

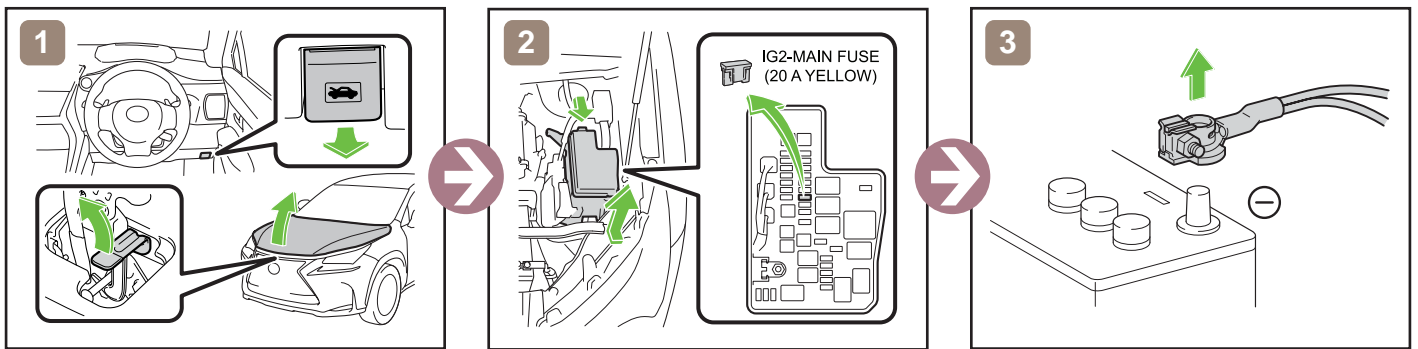


	IG/POWER SW		Fuse Box		12V Battery
	Airbag (incl. Inflator)		Inflator		Fuel Tank
	Gas-filled Damper		Seat Belt Pretensioner (Gas Generator)		Structural Reinforcements
	Airbag Computer	—	—	—	—
—	—	—	—	—	—

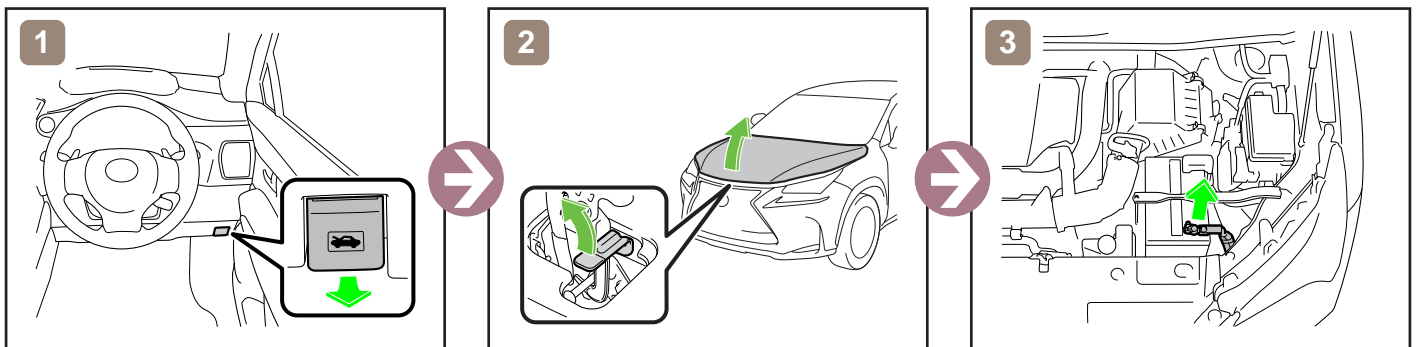
Disable Vehicle



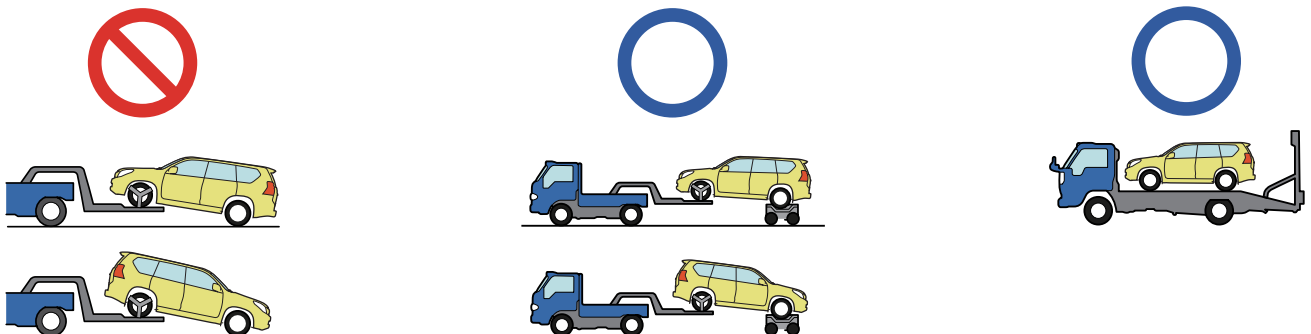
or



Access to 12V Battery



Towing Information



NX300h

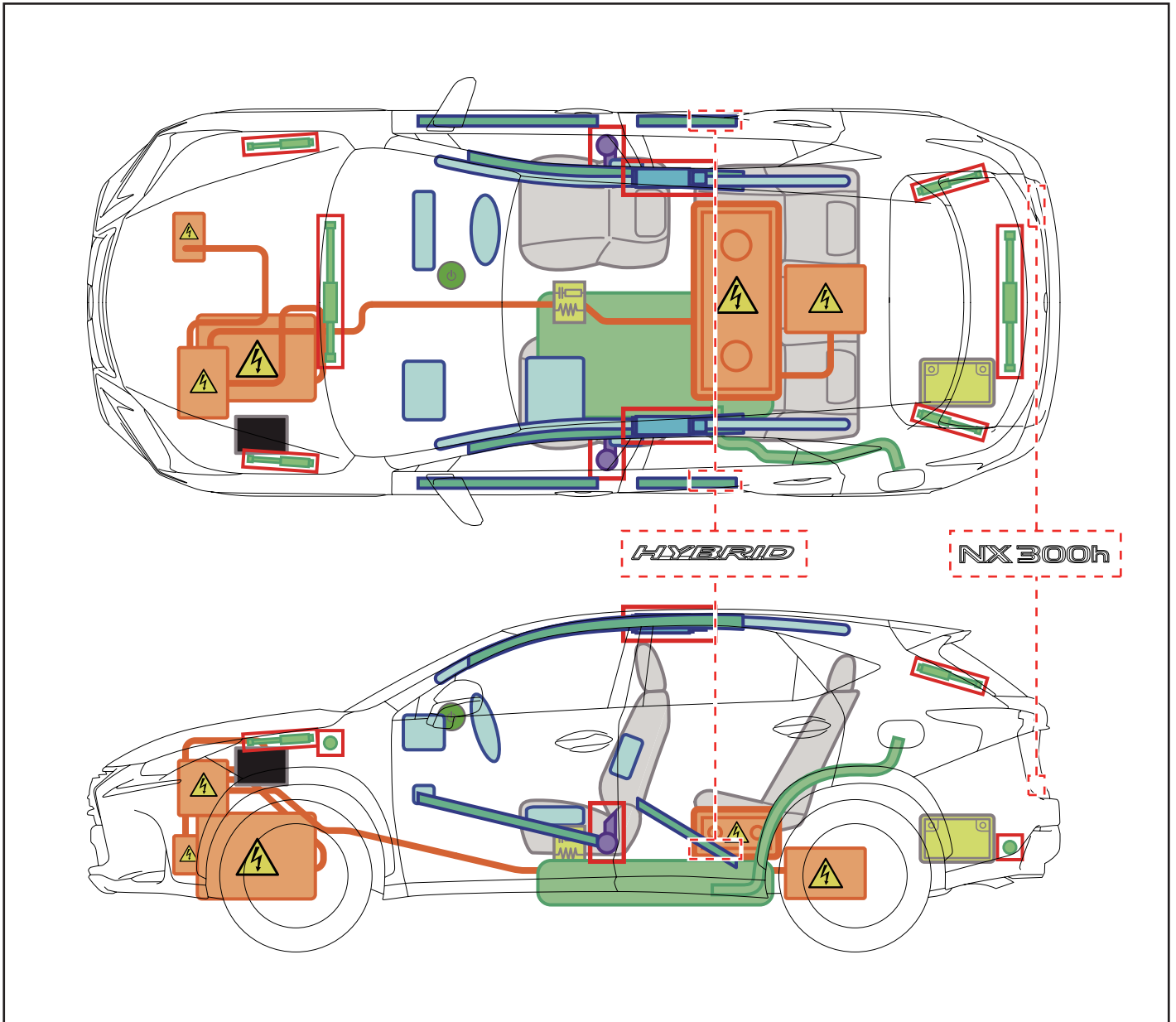
RHD

2014-7



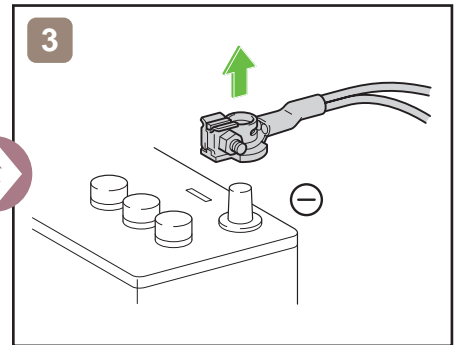
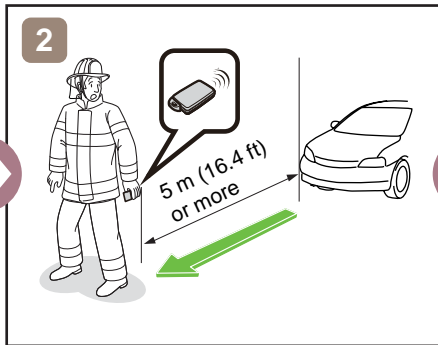
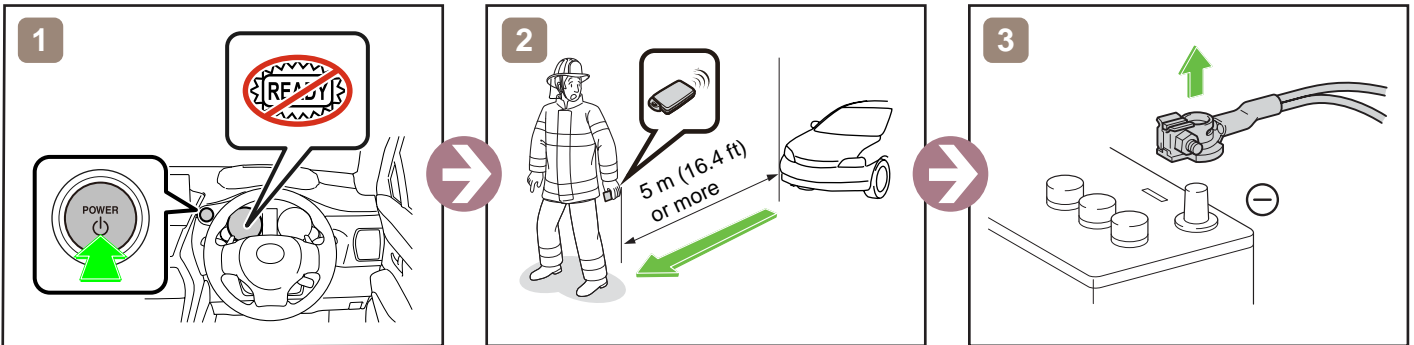
**LEXUS
HYBRID
DRIVE**

**HV BATTERY
Ni-MH**

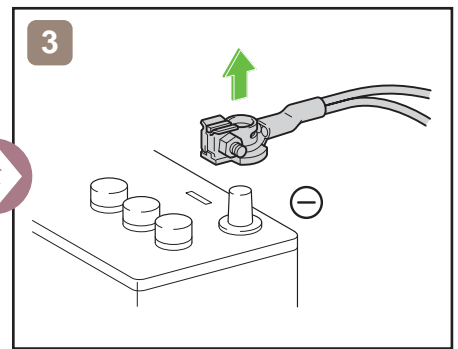
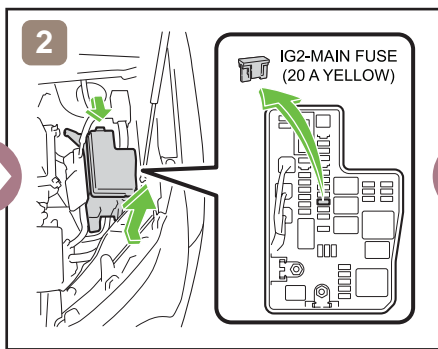
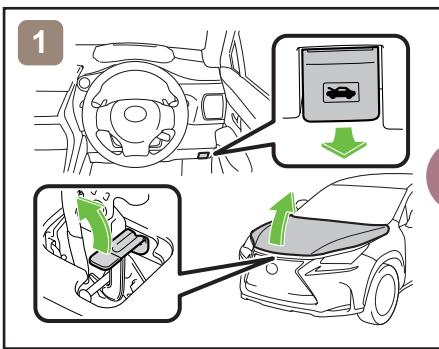


	IG/POWER SW		Fuse Box		12V Battery
	Airbag (incl. Inflator)		Inflator		High Voltage Battery
	High Voltage Components		Fuel Tank		Gas-filled Damper
	Seat Belt Pretensioner (Gas Generator)		Structural Reinforcements		Airbag Computer
—	—	—	—	—	—

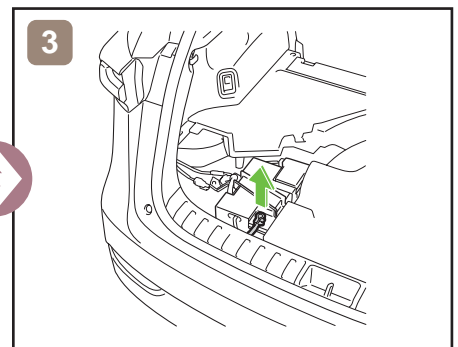
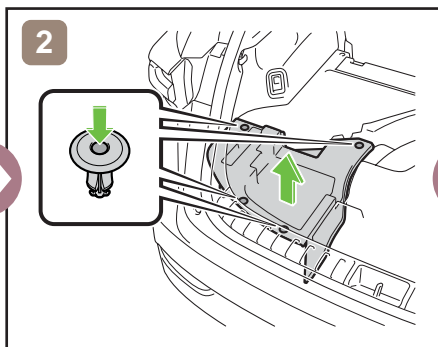
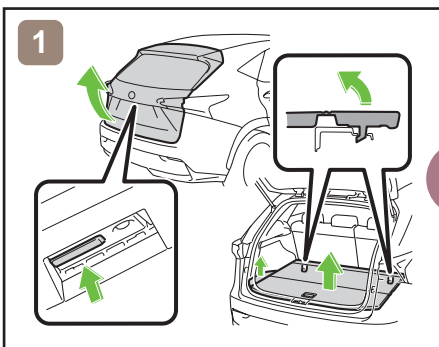
Disable Vehicle



or



Access to 12V Battery



Towing Information

