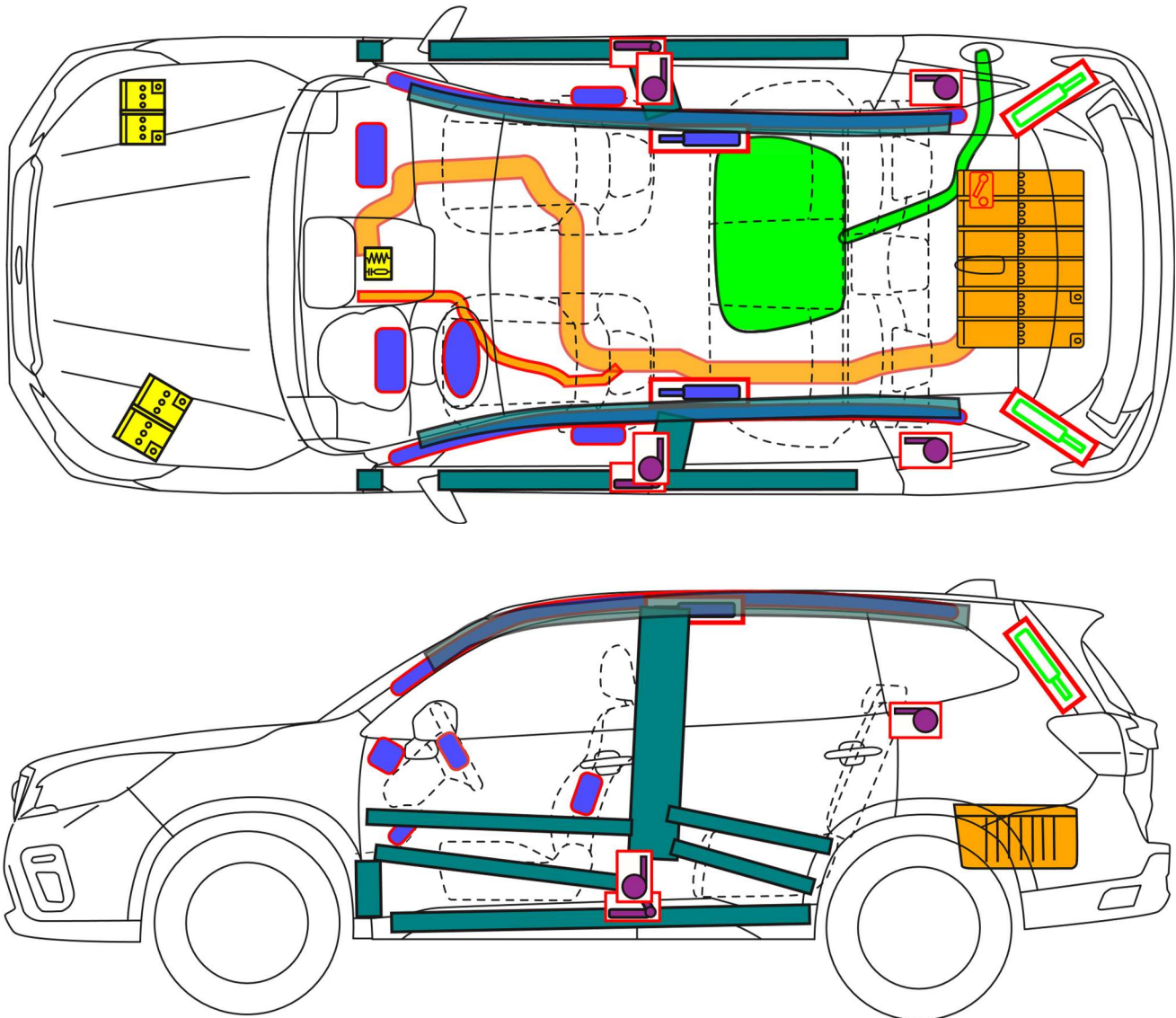







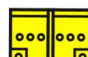





SUBARU: FORESTER
 Type: SKE
 Body version from 2020 MY

Note: The Rescue Sheet depicts a LHD vehicle (as allowed under the ISO 17840 - 1). All components (other than steering wheel and passenger airbag) are located in the same position in the Aust/NZ RHD model.



Airbag		High strength zone		SRS control unit	
Stored gas inflator		Gas strut/ Preloaded spring		Fuel tank	
Seat belt pretensioner		Battery low voltage		High voltage battery	
High voltage power cable/component		High voltage disconnect			

WARNING :
 Wait 60 seconds after disconnecting the battery.