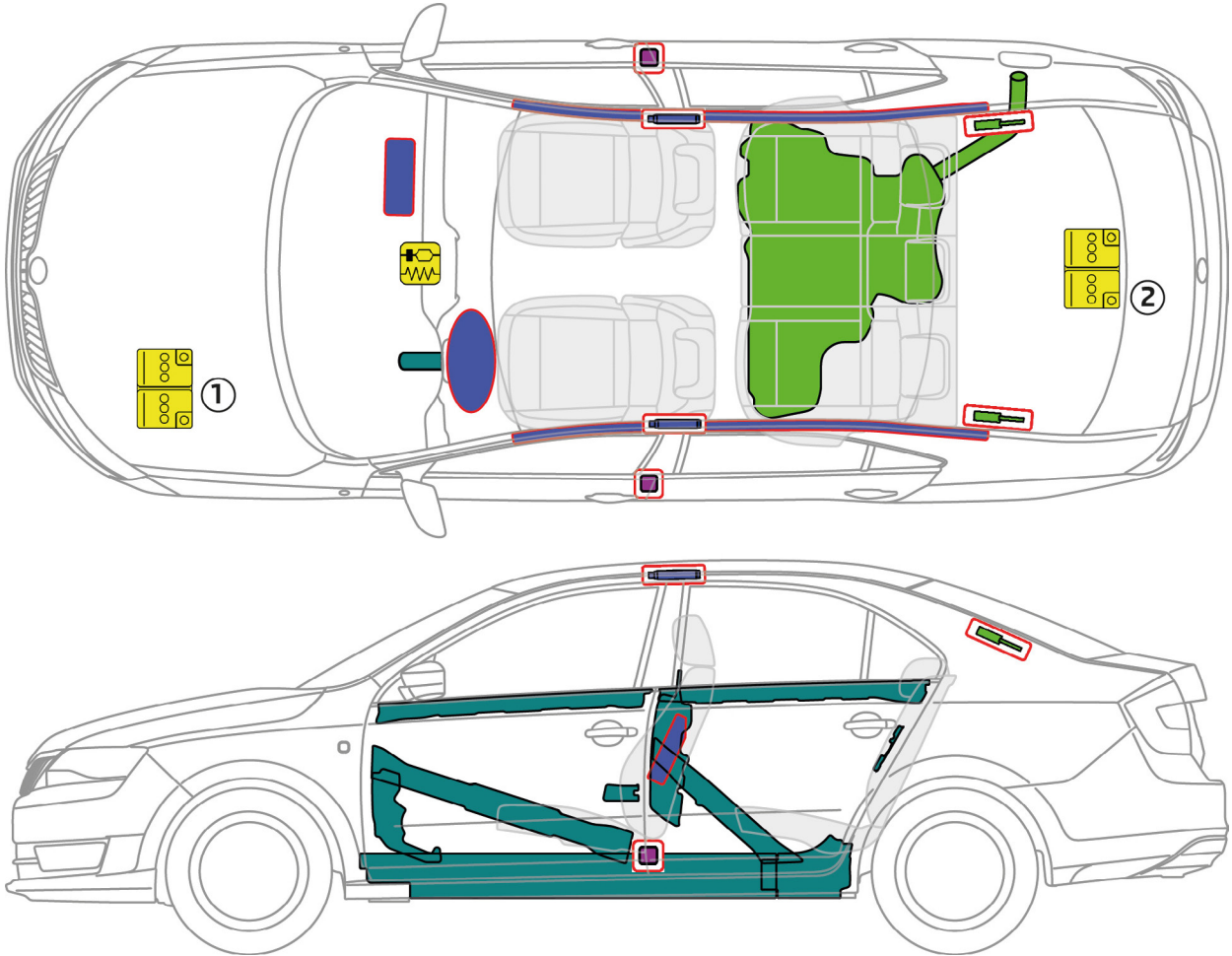




ŠKODA Rapid (from 2012)




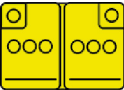






Note: The Rescue Sheet depicts a LHD vehicle (as allowed under the ISO 17840-1). All components (other than steering wheel and passenger airbag) are located in the same position in the Aust/NZ RHD model.



- ① All vehicles except engine 1.6 ltr./85 kW DI CR
- ② All vehicles with engine 1.6 ltr./85 kW DI CR

Legend

	Airbag		High strength zone		SRS control unit
	Battery low voltage		Stored gas inflator		Gas strut / Preloaded spring
	Fuel tank		Seat belt pretensioner		

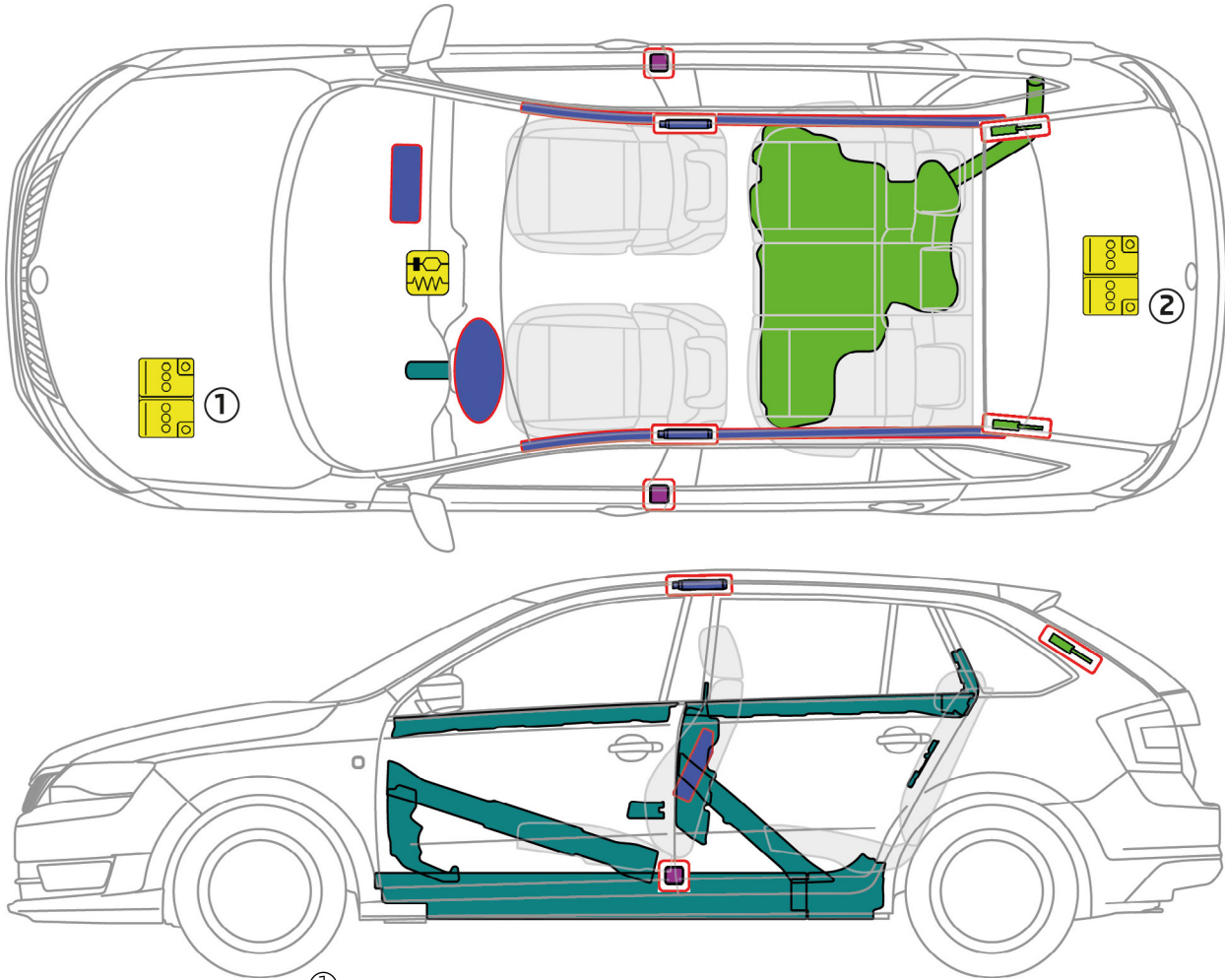
ID No.	Version No.	Version date	Page
TMB-NH	01	02/2016	26



ŠKODA Rapid Spaceback (from 2013)



Note: The Rescue Sheet depicts a LHD vehicle (as allowed under the ISO 17840-1). All components (other than steering wheel and passenger airbag) are located in the same position in the Aust/NZ RHD model.



① All vehicles except engine 1.6 ltr./85 kW DI CR

② All vehicles with engine 1.6 ltr./85 kW DI CR

Legend

	Airbag		High strength zone		SRS control unit
	Battery low voltage		Stored gas inflator		Gas strut / Preloaded spring
	Fuel tank		Seat belt pretensioner		

ID No.	Version No.	Version date	Page
TMB-NH	01	02/2016	28