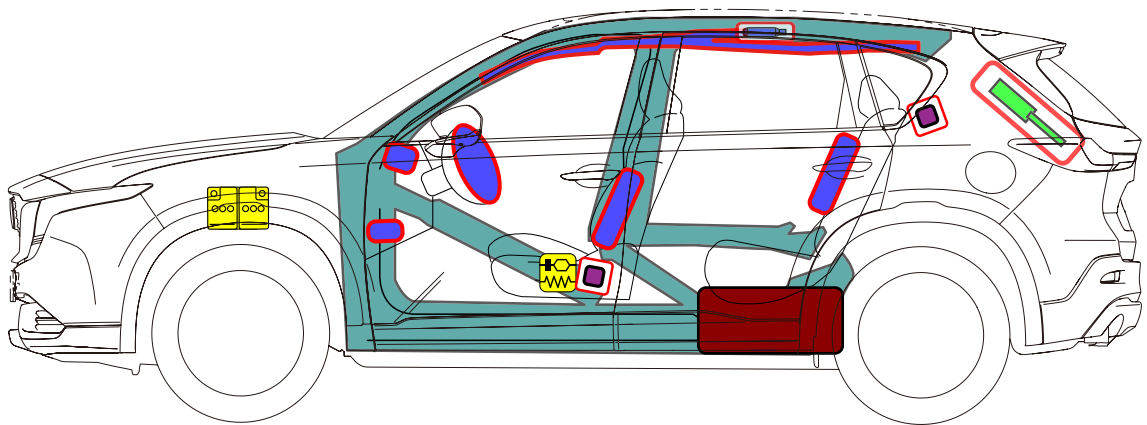
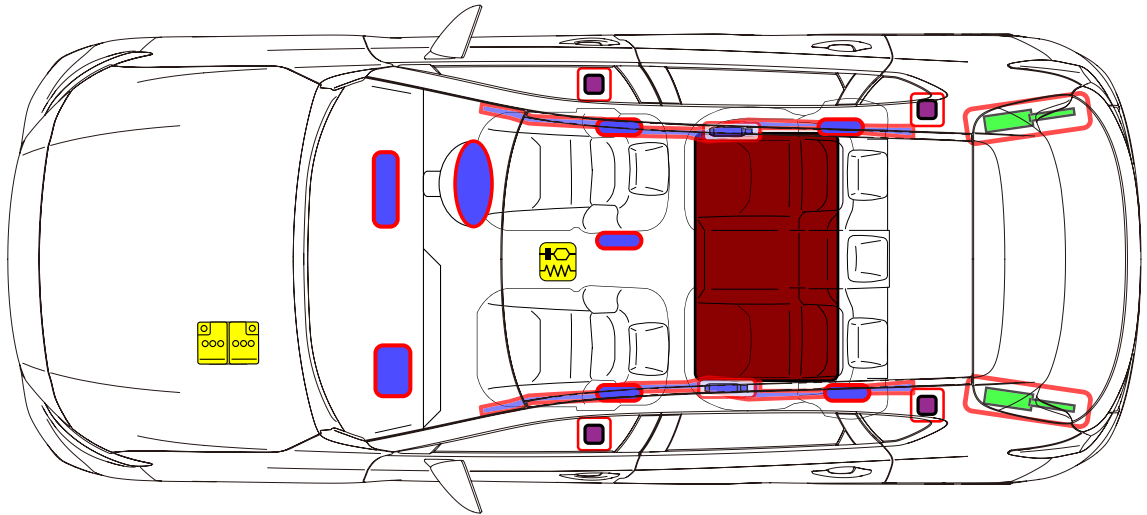
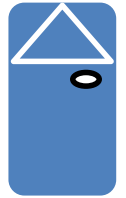




MAZDA CX-5

Body Type: SUV
(2026-)



	Airbag		Stored gas inflator		Seat belt pretensioner		SRS control unit		Gas strut / Preloaded spring
	High strength zone		Battery low voltage		Fuel tank content gasoline / ethanol				

1. Identification / recognition



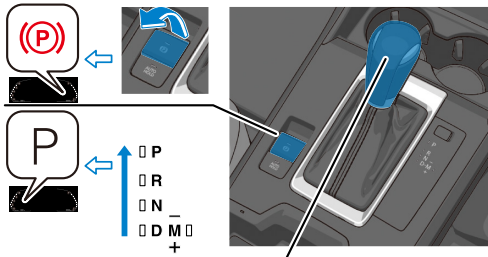
LACK OF ENGINE NOISE DOES NOT MEAN VEHICLE IS OFF: SILENT MOVEMENT OR INSTANT RESTART CAPABILITY EXISTS UNTIL VEHICLE IS FULLY SHUT DOWN. WEAR APPROPRIATE PPE.



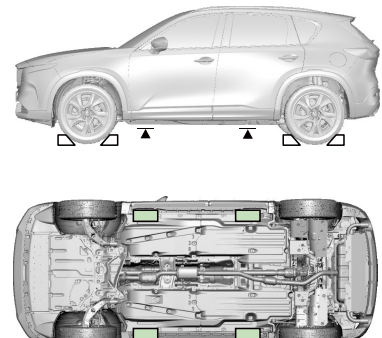
2. Immobilisation / stabilisation / lifting

IMMOBILIZE THE VEHICLE

- Block the wheels.
- Set the parking brake.
- Put the car in P position.



LIFTING POINTS



Appropriate lifting points

3. Disable direct hazards / safety regulations

Systems that do not operate if power is lost

Door lock



Power window



Power seat



Panorama sunroof



Shift-by-wire



Electric parking brake (EPB)

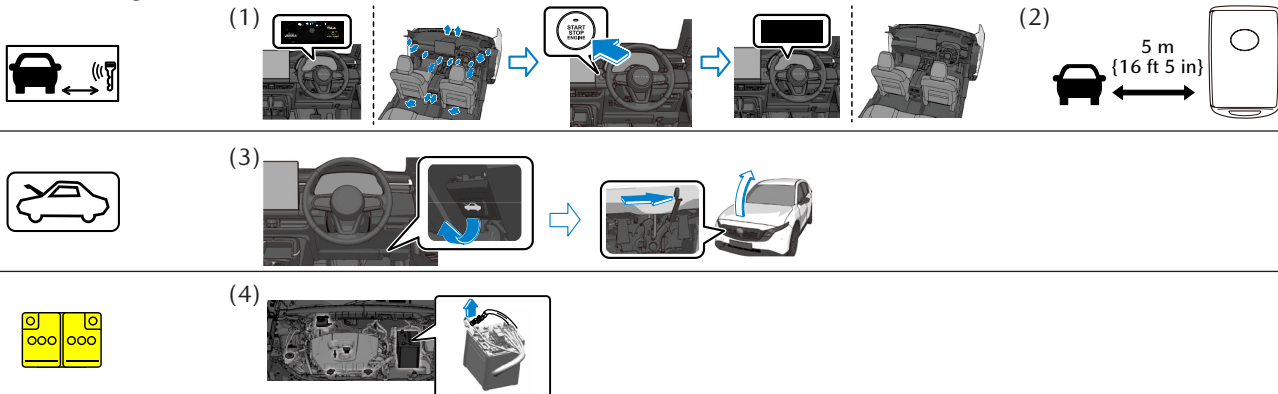


Electric liftgate opener



Procedure for disabling high voltage system

Main disabling method



4. Access to the occupants

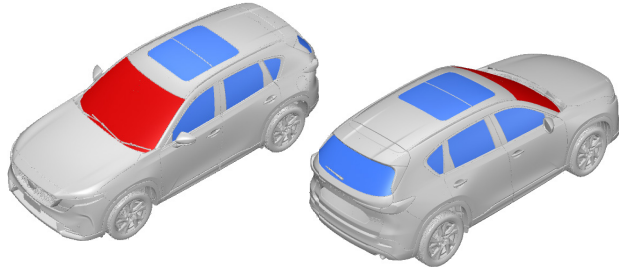
Glass types



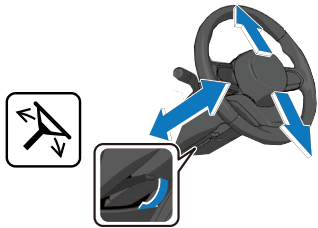
Laminated glass



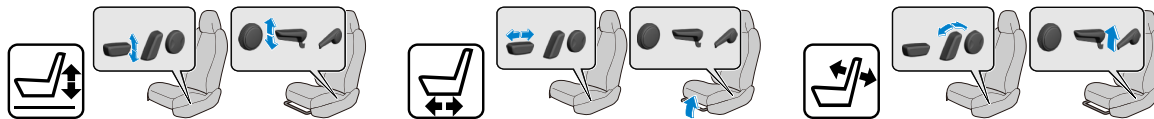
Tempered glass



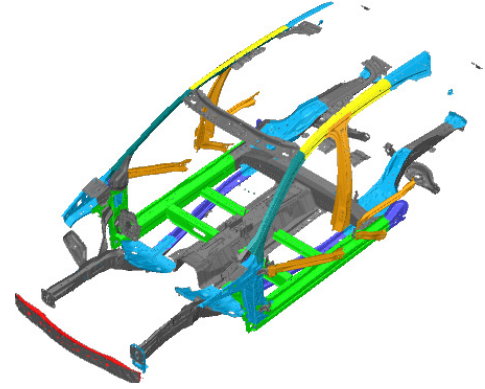
Steering wheel angle adjustment



Seat position operation



High strength steel in body



- 2,000 MPa {20,394 kgf/cm², 290,076 psi}
- 1,500 MPa {15,296 kgf/cm², 217,557 psi}
- 1,470 MPa {14,990 kgf/cm², 213,206 psi}
- 1,310 MPa {13,358 kgf/cm², 190,000 psi}
- 1,180 MPa {12,032 kgf/cm², 171,145 psi}
- 980 MPa {9,993 kgf/cm², 142,137 psi}
- 780 MPa {7,954 kgf/cm², 113,130 psi}
- 590 MPa {6,016 kgf/cm², 85,572 psi}

5. Stored energy / liquids / gases / solids

	Pb / DC 12V	
	R-1234yf / 480 g {16.9 oz}	
	Gasoline / 58.0 L {15.3 US gal, 12.8 Imp gal}	

6. In case of fire

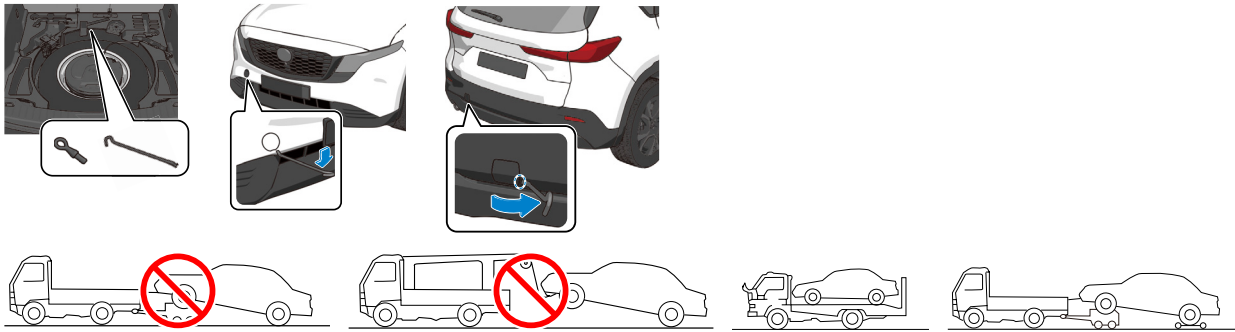


EXTINGUISH THE FIRE USING LARGE AMOUNTS OF WATER OR AN ABC FIRE EXTINGUISHER.



7. In case of submersion

8. Towing / transportation / storage



KEEP THE VEHICLE OUTDOORS AWAY FROM FLAMMABLES.

10. Explanation of pictograms used

	Vehicle on fuel of liquid group 2		General warning sign		Door-lock control
	Right hand drive		Use water to extinguish the fire		Window lift (power-operated)
	Bonnet		Use ABC powder to extinguish the fire		Parking brake
	Steering wheel, tilt control		Explosive		Laminated glass
	Seat adjustment, longitudinal		Gases under pressure		Tempered glass
	Seat height adjustment		Flammable		
	Seat adjustment, seat back recline		Corrosives		
	Lifting point; central support		Hazardous to the human health		
	Air conditioning component		Remove smart key		