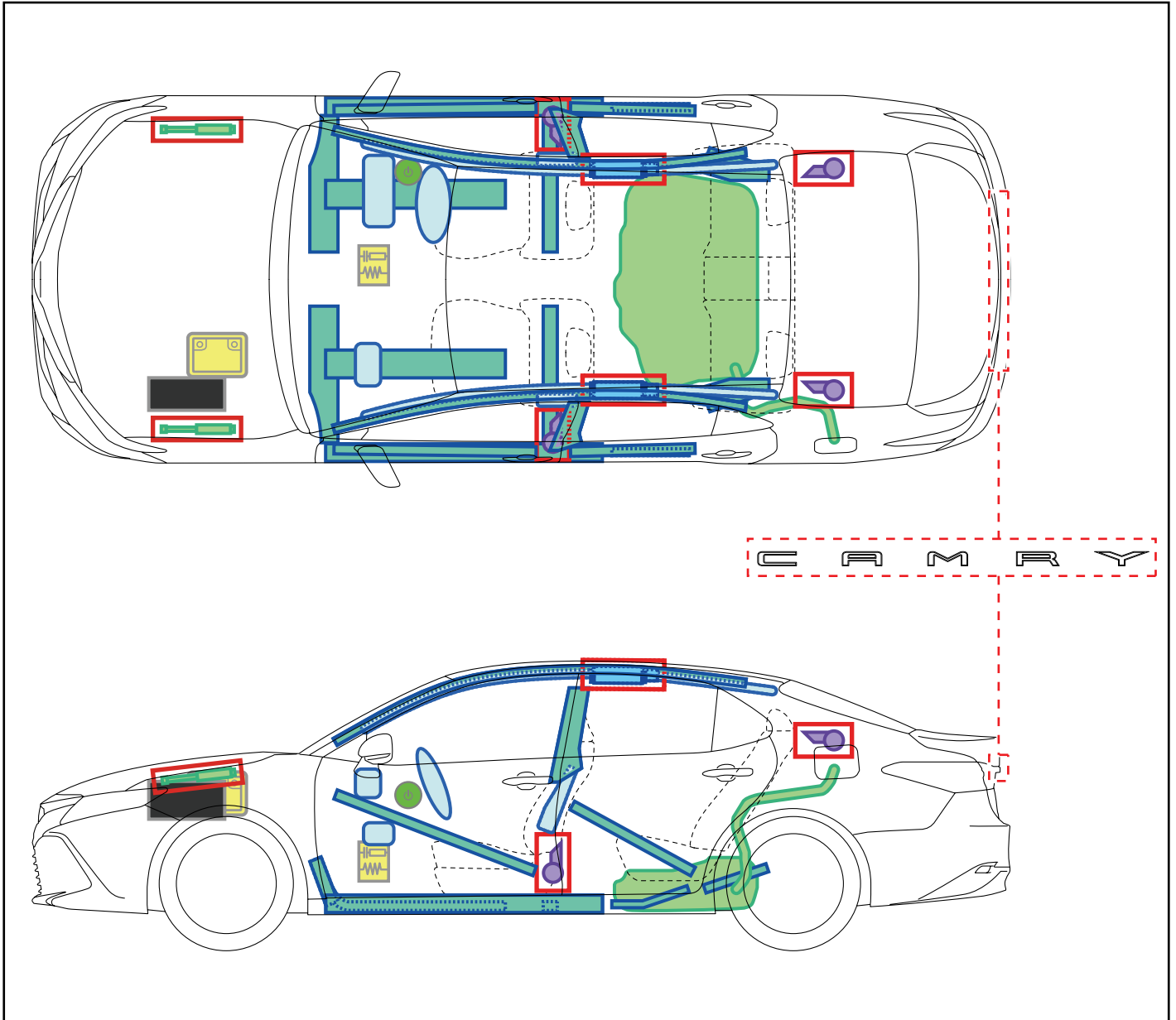
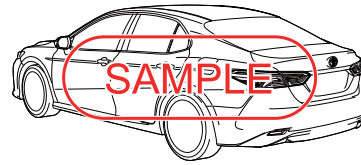
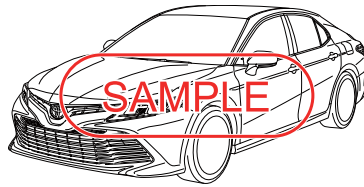


# CAMRY

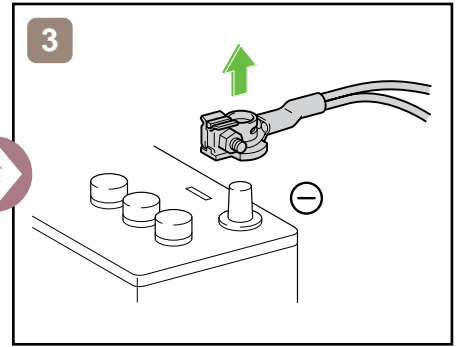
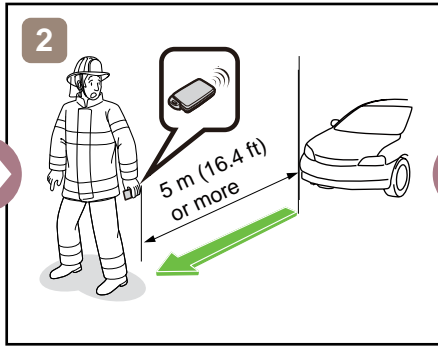
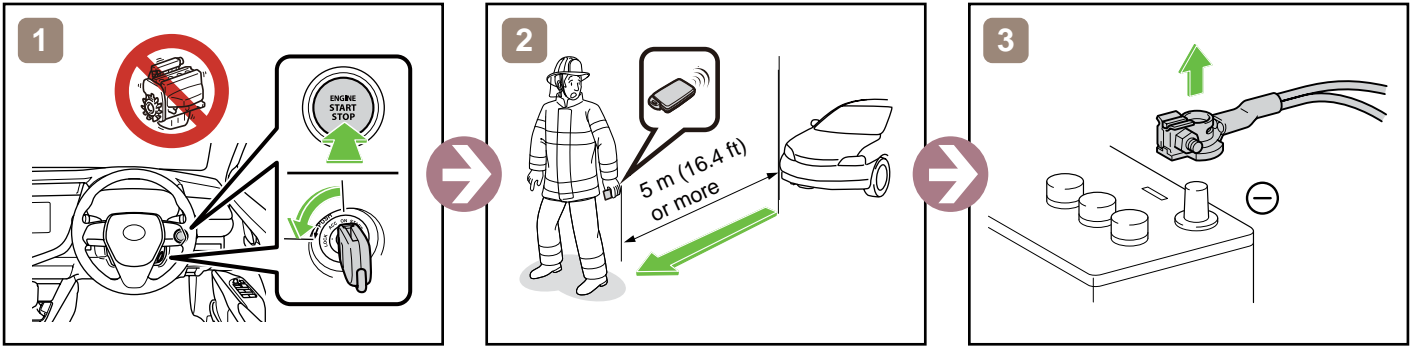
RHD

2017-6

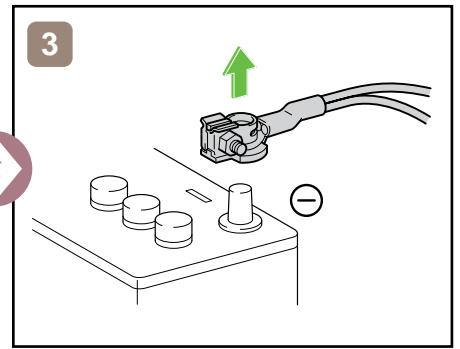
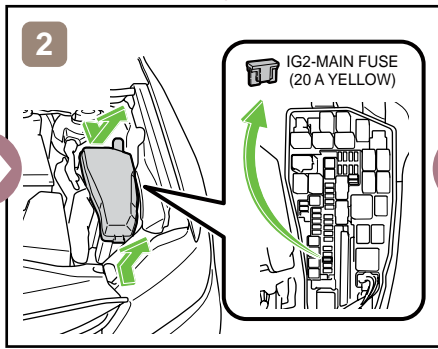
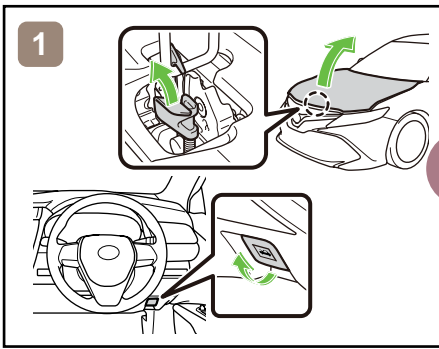


	<b>IG/POWER SW</b>		<b>Fuse Box</b>		<b>12V Battery</b>
	<b>Airbag (incl. Inflator)</b>		<b>Inflator</b>		<b>Fuel Tank</b>
	<b>Gas-filled Damper</b>		<b>Seat Belt Pretensioner (Gas Generator)</b>		<b>Structural Reinforcements</b>
	<b>Airbag Computer</b>	-	-	-	-
-	-	-	-	-	-

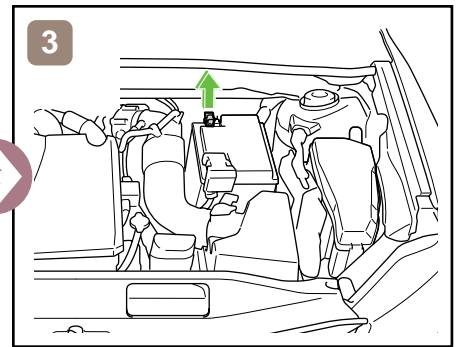
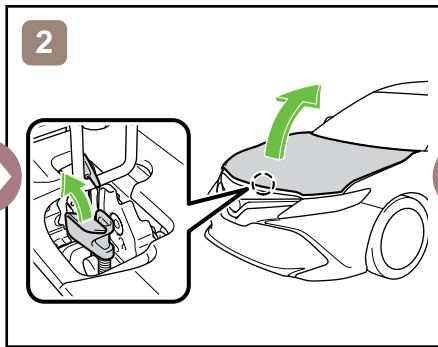
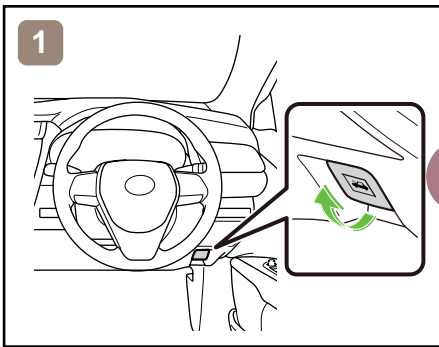
### Disable Vehicle



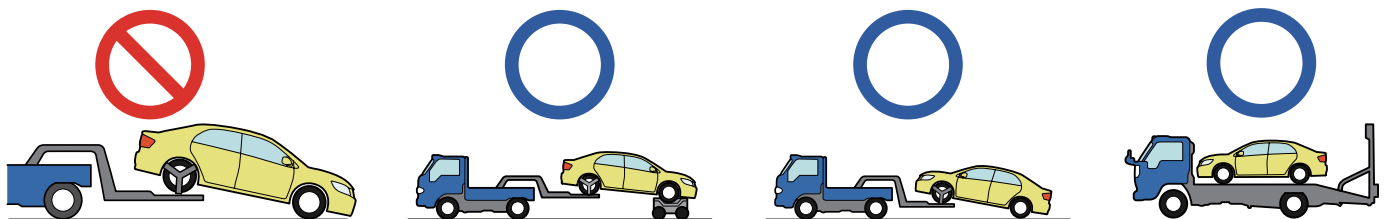
or



### Access to 12V Battery



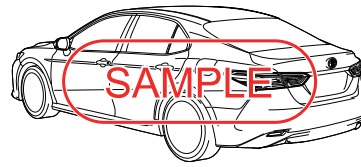
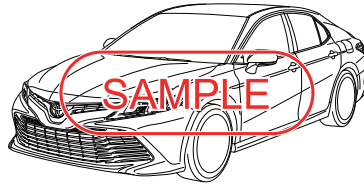
### Towing Information



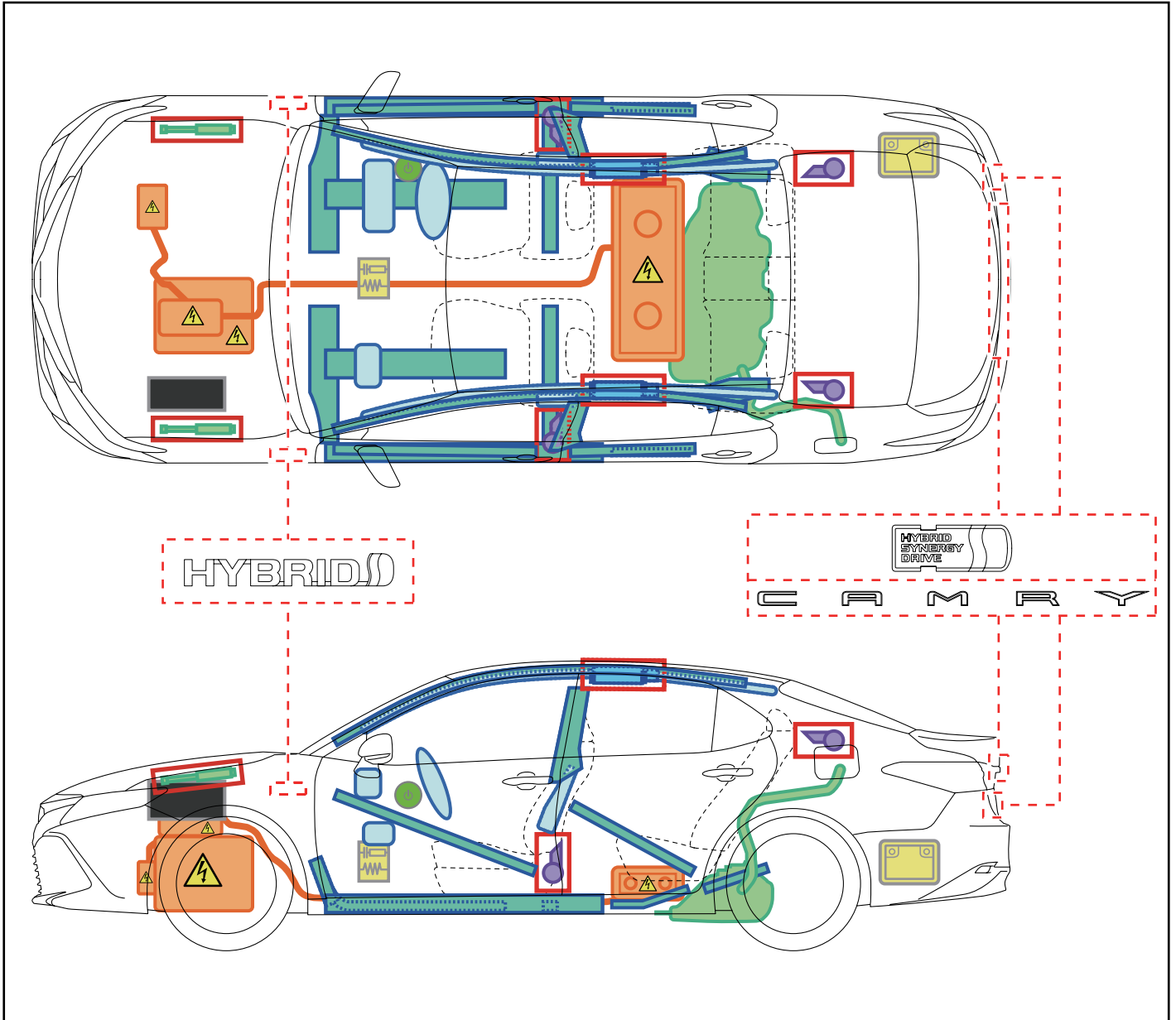
# CAMRY HYBRID

RHD

2017-9



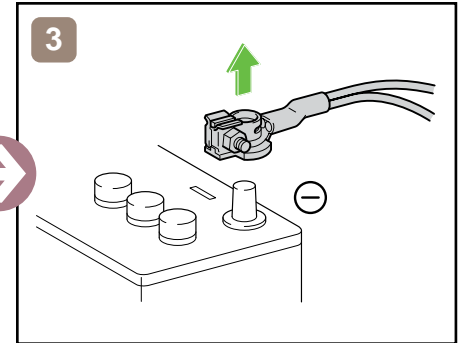
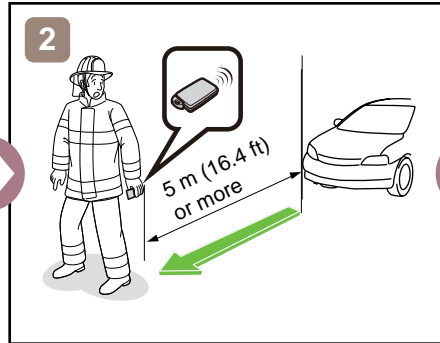
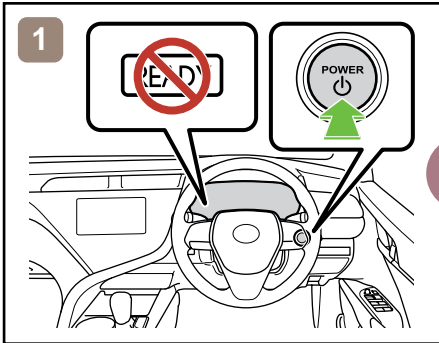
TOYOTA



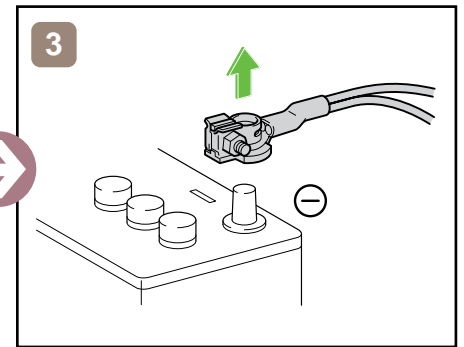
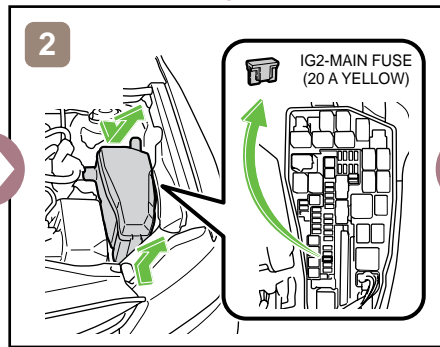
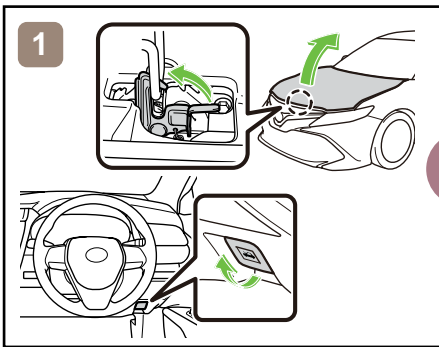
	<b>IG/POWER SW</b>		<b>Fuse Box</b>		<b>12V Battery</b>
	<b>Airbag (incl. Inflator)</b>		<b>Inflator</b>		<b>High Voltage Battery</b>
	<b>High Voltage Components</b>		<b>Fuel Tank</b>		<b>Gas-filled Damper</b>
	<b>Seat Belt Pretensioner (Gas Generator)</b>		<b>Structural Reinforcements</b>		<b>Airbag Computer</b>
-	-	-	-	-	-



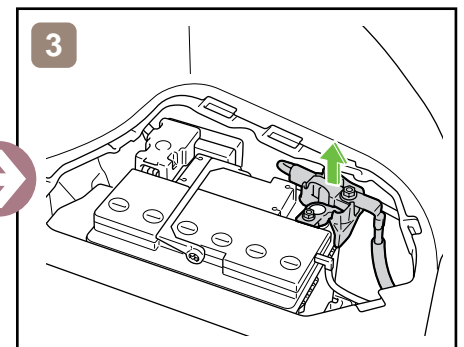
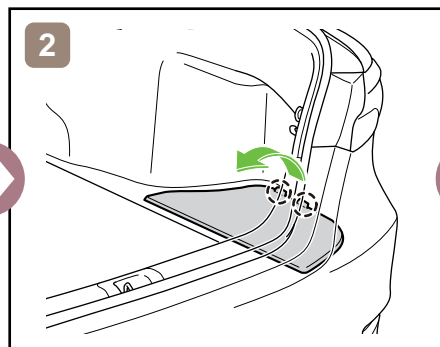
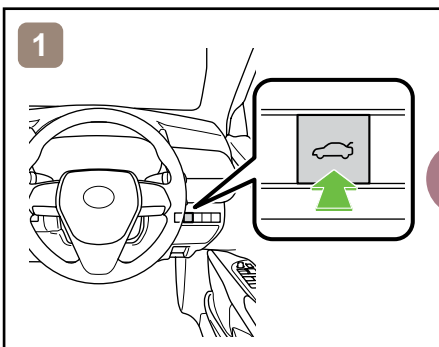
### Disable Vehicle



or



### Access to 12V Battery



### Towing Information

