



VOLLEYBALL



SKILL ATTACK™ PITCHING MACHINE  
PATENTS APPLIED FOR

## INSTRUCTION MANUAL

Includes: OPERATION · SETUP · USE & CARE · SERVICE

REV032813

SPORTS ATTACK, LLC. • 800-717-4251 • [sportsattack.com](http://sportsattack.com)

## WARRANTY STATEMENT

Skill Attack Volleyball Machines manufactured by Sports Attack LLC. are warranted against defects in materials and workmanship for a period of five (5) years from the date of original purchase, with the following exceptions:

**Throwing Wheels are warranted for one (1) year;**

**Electronic Controller is warranted for one (1) year; and,**

**Throwing Wheel Motors are warranted for one (1) year.**

Should such equipment be found to be defective, Sports Attack LLC. will, at its option and sole discretion provide at no cost to the purchaser new or rebuilt replacements for defective parts and will pay the pre-approved labor charge to repair the product for the duration of the warranty period only.

THE FOREGOING OBLIGATION IS EXPRESSLY GIVEN IN LIEU OF ANY OTHER WARRANTIES, EXPRESSED OR IMPLIED, INCLUDING ANY IMPLIED WARRANTY OF MERCHANTABILITY OR FITNESS FOR A PARTICULAR PURPOSE, WHICH ARE HEREBY EXCLUDED.

SPORTS ATTACK LLC. SHALL NOT BE LIABLE FOR INDIRECT, INCIDENTAL OR CONSEQUENTIAL DAMAGES OR LOSSES FROM ANY CAUSE WHATSOEVER.

This warranty is void if the equipment has been misused, misapplied, improperly assembled, or modified without the express written permission of Sports Attack LLC. In addition, this warranty does not apply to damage in transit, in any accident unrelated to the direct operation of the equipment, or by fire, flood or act of God.

To obtain warranty service during the warranty period:

1. Have the date of purchase and serial number ready (see page 4 for the location of the serial number).
2. Call the Customer Service Department at 1-800-717-4251
3. Identify the product and describe the problem.

A Customer Service Representative will help you to correct the problem and send replacement part(s) if necessary. An invoice will be sent if any parts need to be exchanged. To clear the invoice, return, prepaid and within 30 days, the defective parts as detailed on the invoice to:

**Sports Attack LLC.**  
2805 U. S. 40  
Verdi, NV 89439

## SHIPPING DAMAGE CLAIMS PROCEDURE

NOTE: For your protection, please note that equipment in this shipment was carefully inspected and packaged by skilled personnel before leaving the factory.

Upon acceptance of this shipment, the transportation company assumes full responsibility for its safe delivery.

### IF SHIPMENT ARRIVES DAMAGED:

1. **VISIBLE LOSS OR DAMAGE:** Be certain that any visible loss or damage is noted on the freight bill or express receipt, and that the note of loss or damage is signed by the delivery person.
2. **FILE CLAIM FOR DAMAGE IMMEDIATELY:** Regardless of the extent of the damage.
3. **CONCEALED LOSS OR DAMAGE:** If damage is unnoticed until the merchandise is unpacked, notify the transportation company or carrier immediately, and file "CONCEALED DAMAGE" claim with them. This must be done within fifteen (15) days from the date the delivery was made to you. Be sure to retain the container for inspection.

Sports Attack LLC. cannot assume liability for damage or loss incurred in transit. We will, however, at your request, supply you with the necessary documents to support your claim.

**To register the Warranty, please return the Warranty Registration Card to:**

Sports Attack, LLC.  
P.O. Box 1529  
Verdi, NV 89439

**For repairs and service after Warranty period, please call:**

Sports Attack Customer  
Service Department  
Ph 800-717-4251  
Fx 775-345-2883

## RETURNS

**To return an item, please contact our Customer Service Department at 800-717-4251.**

A 15% restocking fee will be charged for any items accepted for return. It is the customer's responsibility to handle the repacking and shipment (as well as all associated fees) back to Sports Attack.

No returns will be accepted after 30 days of receiving product.

# TABLE OF CONTENTS

Warranty Statement .....	xi
Operating Safety Instructions .....	4
Assembly Instructions .....	5
Operating Instructions .....	6
Shutting Down Machine .....	6
<b>MAINTENANCE &amp; SERVICE</b>	
Care & Cleaning .....	7
Component Replacement .....	8-9
Part List .....	10
<b>SPORTS ATTACK</b>	
Product Line .....	11-12

## INTRODUCTION

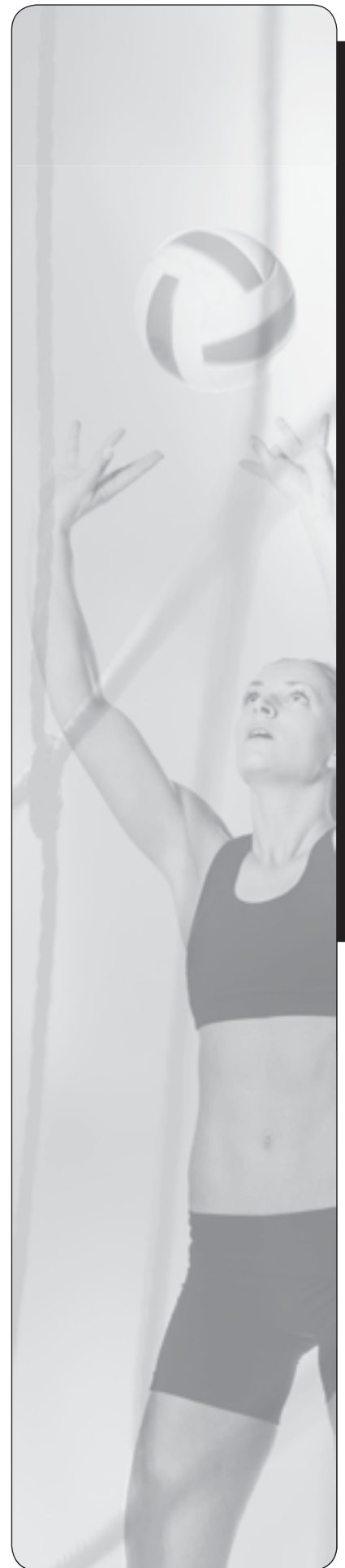
Thank you for purchasing this Sports Attack LLC. equipment.

Proper assembly, careful operation and consistent maintenance of this equipment will ensure that it gives you the very best performance and a long, economical service life.

This manual contains the information needed to properly set up the Skill Attack, as well as to use, care for and maintain the Skill Attack in a manner which will ensure its optimum performance.

## RECEIVING THE PRODUCT

Please check the contents of your boxes to ensure you have received all parts for the machine. If anything is missing or damaged, call Sports Attack Customer Service, 800-717-4251. If the product or package has been damaged in shipping, note on shipping tag, save all evidence of damage along with related documents and contact the shipper immediately.



# SAFETY INSTRUCTIONS

## ELECTRICAL SAFETY

Use a 115 volt single phase 3-wire (2 wire with ground) grounded power source.

Up to 200 ft. from power source, use a minimum #14/3 grounded 3-wire 15 amp minimum rating extension cord.

Over 200 ft. from power source, consult a licensed electrician for required power cord size.

## OPERATING SAFETY

**CAUTION:** Carefully check Skill Attack for completeness and condition before connecting to electrical power:

1. Never reach hands into throwing wheel area.
2. Always use the Skill Attack with throwing wheel guards in place.
3. Use the Skill Attack only under adult supervision.
4. Use the Skill Attack only for its intended purpose.
5. Do not operate the Skill Attack with a damaged cord or plug if the machine malfunctions or has been damaged.
6. Check machine before turning "ON" to make sure there are no foreign object in feed chute.
7. If ball becomes lodged and stops motor, immediately turn the Skill Attack "OFF" before dislodging.
8. To dislodge ball from throwing wheel, unplug machine and push ball through chute. Do not reach hand into feed chute with the machine running.
9. Only one person at a time should operate the Skill Attack.
10. Do not allow anyone to walk directly in front of the machine. Keep face and hands away from ball exit.
11. A ball should always be test thrown from the Skill Attack before beginning any drill. Throw several balls to verify end location.
12. Keep hands, hair and loose clothing away from moving parts.
13. Do not use near water or use damp or wet balls.

## WARNING PERSONAL INJURY HAZARD

Carefully read all instructions in this manual, and all labels and warnings on the Skill Attack before using this machine.

Use machine only under adult supervision. Failure to operate Skill Attack as described in this manual can result in severe personal injury or death.

## ELECTRICAL SHOCK HAZARD

Skill Attack volleyball machine must be connected to a properly grounded electrical receptacle.

Do not operate on wet ground.

## WARNING PERSONAL INJURY HAZARD

Keep hands away from throwing wheels anytime the machine is connected to a power source.

Carefully check Skill Attack for completeness and condition before connecting it to electrical power.

## EQUIPMENT ELECTRICAL DAMAGE

DO NOT plug in or energize this equipment until all Assembly Instructions (see page 5) and Operation Instructions (see page 6) are read and followed.

# ASSEMBLY INSTRUCTIONS

**Tools required:** Wrench for casters (provided. See Figure 2).

## STEP ONE

Lay out all parts and check them against parts list. Call customer service immediately if any parts are missing. Please have applicable part numbers as shown on parts list (See page 10).

## STEP TWO

Screw on casters to the end of legs. Tighten with the wrench provided (See Figure 2).

## STEP THREE

Insert the three legs into tripod sockets and tighten handles as shown in A.

## STEP FOUR

Loosen handle E and insert yoke shaft F into tube at G. Then tighten handle E snugly.

## STEP FIVE

Attach throwing head to yoke plate by loosening throwing head thumb screw and fitting base bolt through bottom plate hole in throwing head and secure. Tighten throwing head thumbscrew into base bolt B.

Assembly is now complete and your Skill Attack Volleyball Machine is ready for use. See instructions in the manual and on the decals on the machine for operating procedures and options.

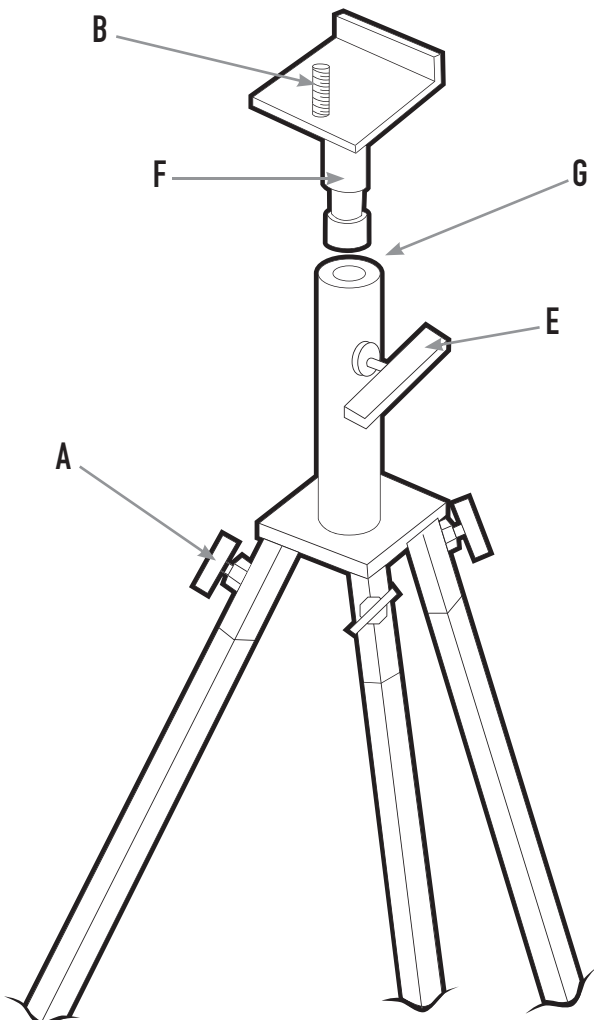


Figure 1 Assembling the tripod base.



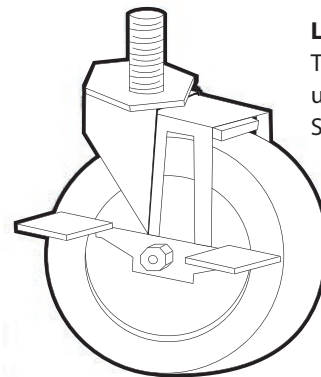
Safety Instructions

**To order additional parts, please call:**

Sports Attack Customer Service Department  
Ph 800-717-4251  
Fx 775-345-2883



Figure 2 Wrench provided (in the nut and bolt kit with casters) to securely tighten casters.



**LOCKING CASTER (QTY 3)**  
Tighten casters securely using the wrench provided. See Figure 2.

## SKILL ATTACK OPERATION

The Skill Attack is the perfect individual training machine. No special training other than the complete careful reading of this manual is required to operate.

### INCREASE OR DECREASE SPEED

1. Before turning machine "ON," turn dials located on the throwing head to the "OFF" position.
2. Turn power switch to "ON." Turn speed control knobs clockwise to turn the machine "ON" and to increase speed.
3. Turn the speed control knobs counterclockwise to decrease speed.

### BALL SPIN, BREAK OR MOVEMENT

1. Floater - Both knobs turned to the same setting, making the wheels spin at the same RPM.
2. Top Spin - Upper wheel turning fast, lower wheel turning slowly. Variations of the ball spin and break are determined by the wheel speeds.

### HORIZONTAL CONTROL

1. Loosen to vary direction.
2. Tighten for repeatability.

## SKILL ATTACK SHUTTING DOWN

### TURNING SKILL ATTACK "OFF"

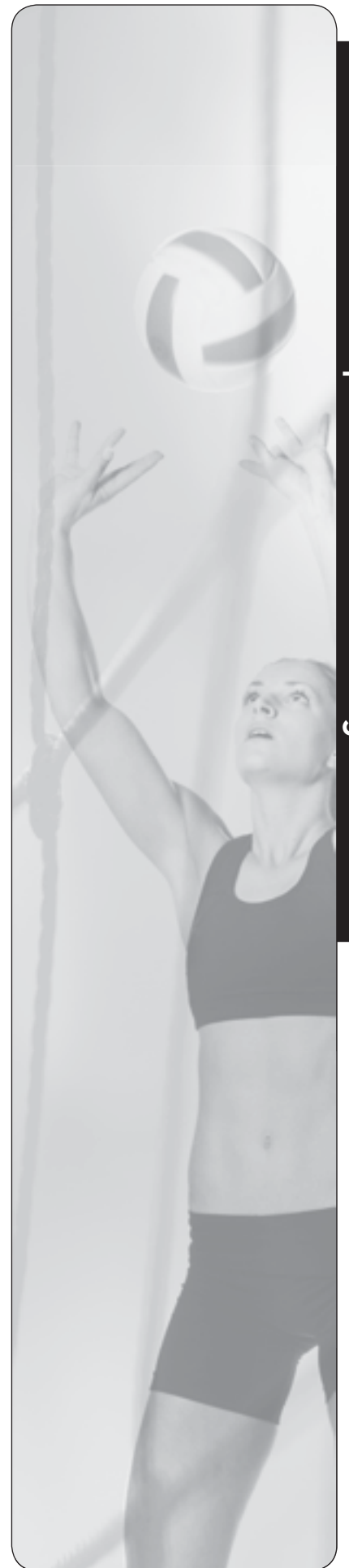
1. Set each speed control dial to "0."
2. Turn the on/off switch "OFF."
3. Unplug Skill Attack from the power source.

### TRANSPORTING

1. Turn the machine "OFF" and unplug.
2. Detach throwing head from tripod and carry. See Figure 3.



Figure 3 The Skill Attack is extremely portable.



## CARE & CLEANING

### LUBRICATION

1. Once per season, or as required.
2. Throwing wheel motors are sealed and require no lubrication.

### EXAMINE THE MACHINE

Examine Skill Attack for condition and completeness before every use:

1. Throwing wheels must be tight on the motor shafts.
2. Check that the keyway retaining bolts are tight.
3. Wheel guard and ball chute must be securely fastened to the throwing head.

### CAUTION PERSONAL INJURY HAZARD

Never attempt to clean the throwing wheels while they are turning. Rags or implements caught in spinning wheels can cause serious injury.

Unplug the machine before cleaning the wheels or performing any service.

### CHEMICAL HAZARD

**Methyl Ethyl Ketone (M.E.K)**  
Read and follow the directions and safety instructions on the M.E.K container.

### FIRE HAZARD

**Methyl Ethyl Ketone (M.E.K)**  
M.E.K. is flammable. Do not use M.E.K. around a fire or flame. Do not use M.E.K. near a running generator or other source of ignition.

# COMPONENT REPLACEMENT

## THROWING WHEEL REPLACEMENT

1. Turn the power switch "OFF" and unplug the power cord.
2. Hold the wheel so that it cannot move. Turn the retaining screw counterclockwise using a 1/8" allen wrench.  
**SUGGESTION:** If the screw is too tight, give the opposite end of the wrench a series of light taps with a hammer making sure the wrench remains on the screw.
3. Remove the screw.
4. Work the wheel off of the motor shaft.

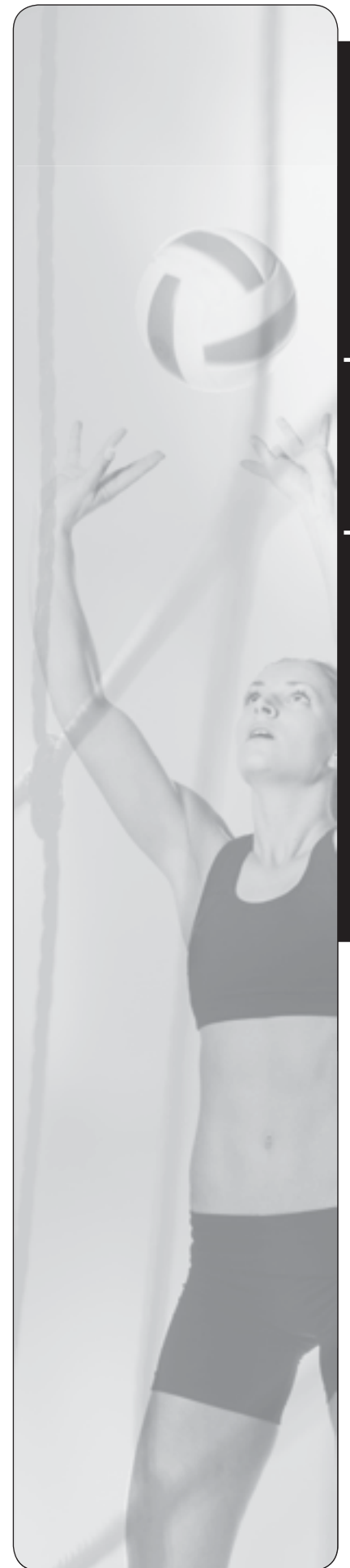
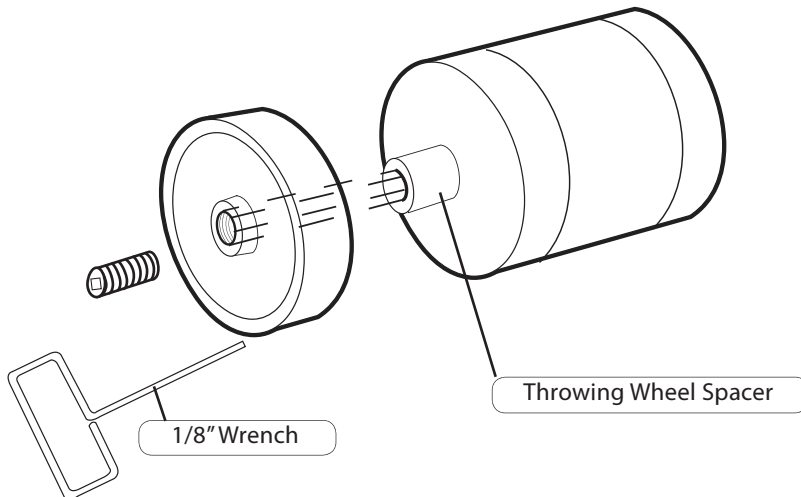
### Reassemble in reverse order.

- a. Install wheel to motor shaft.
- b. Be sure the spacer is in place.
- c. Tighten the allen head screw.
- d. Test the wheel by spinning it by hand and making sure that it spins freely without wobble before turning the unit "ON."
- e. Be sure the wheel guard is properly and securely reinstalled.

## MOTOR REPLACEMENT

1. Turn the power switch "OFF" and unplug the power cord.
2. Remove the throwing wheel.
3. Remove four screws holding controller into main control box. Note the position of the motor wires on the controller, then disconnect the wires.
4. Note the routing of the motor wires. Loosen any wire clamps.
5. Remove bolts holding the motor to the main frame.

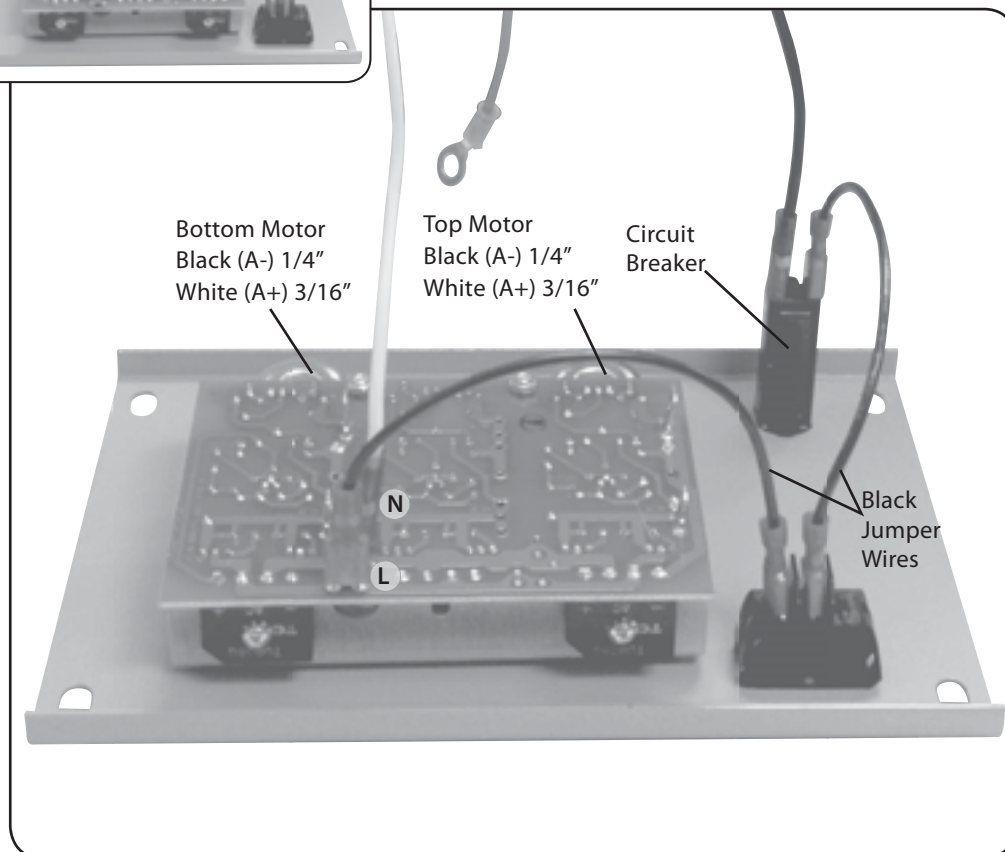
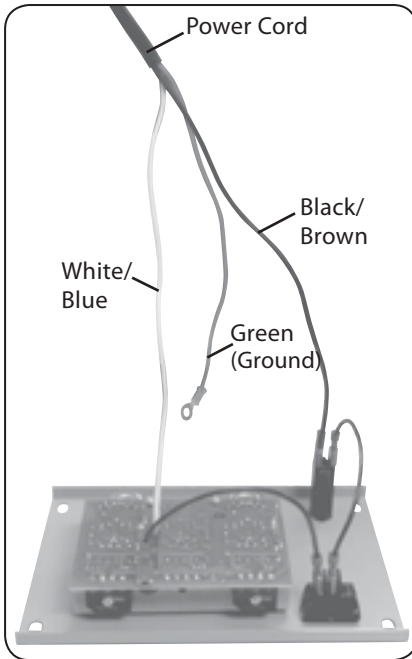
### Reassemble in reverse order.



## COMPONENT REPLACEMENT (cont'd)

### CONTROLLER REPLACEMENT

1. Turn the on/off switch "OFF" and unplug the power cord.
2. Remove the four screws holding controller faceplate. Note the position of the main power and motor wires on the controller, then disconnect the wires.
3. Reassemble in reverse order.
  - a. Be sure wires are correctly reinstalled. Motor wire connectors are different sizes. Be sure they are installed on the correct size terminal.
  - b. When attaching the knobs, turn the speed control shafts fully counter-clockwise, then install the knobs with the pointer to "0."



## WIRING

### POWER CORD

**White or Blue Wire (1)**  
To middle male terminal marked "N."

**Black or Brown Wire (2)**  
To circuit breaker.

**Green Wire (3)**  
Grounds to machine/motor.

### MOTOR WIRE LEADS

**White 3/16" wide connectors.**

**Black 1/4" wide connectors.**

**Black Wire (2)** connects to A- on circuit board.

**White Wire (2)** connects to A+ on circuit board.

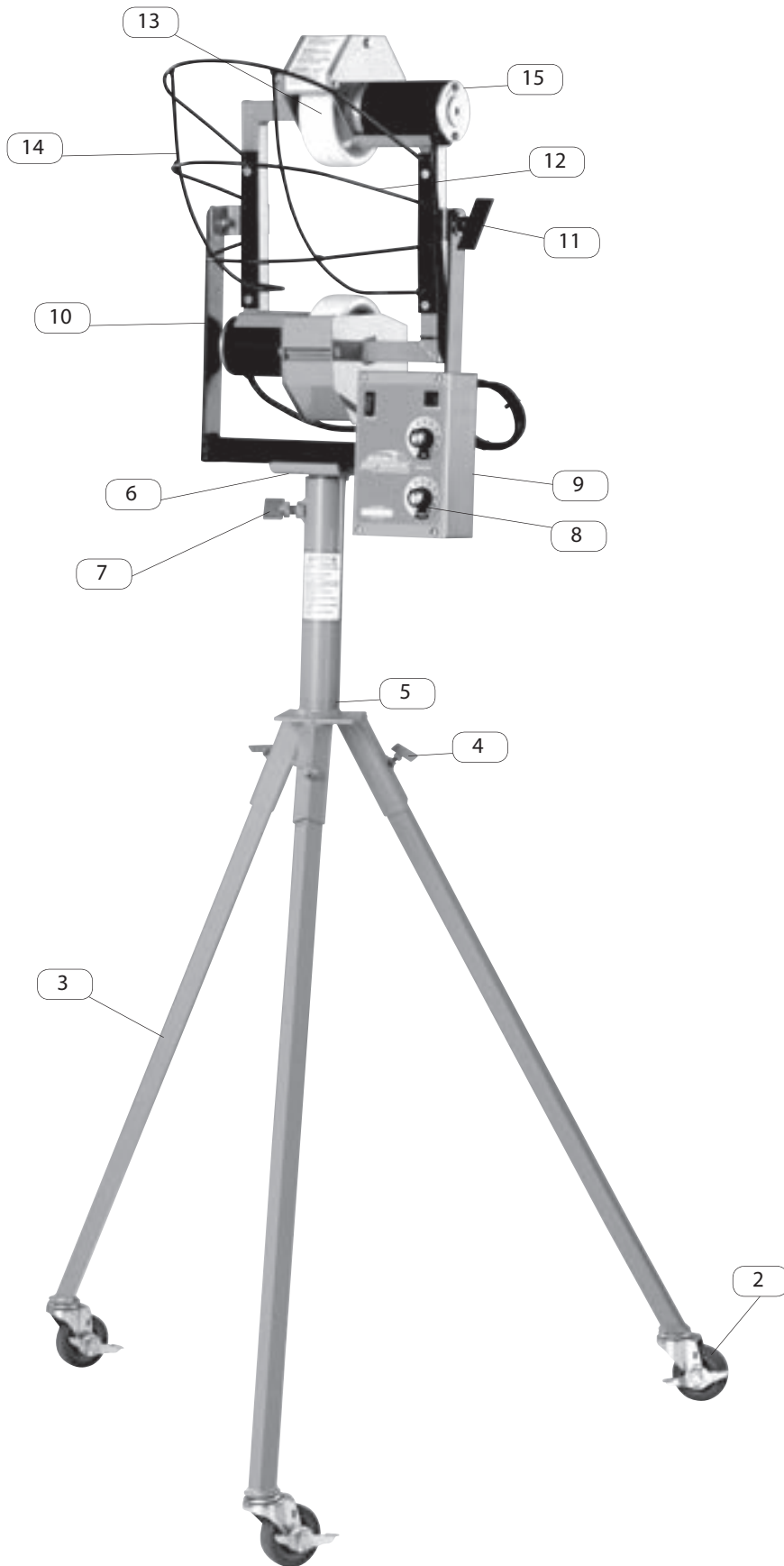
### CONTROLLER

**Black Wire (2)**

2 PR jumper wire:

- 1 from on/off switch to circuit breaker

- 1 from on/off switch to circuit board terminal "L".



**To order additional parts,  
please call:**

Sports Attack Customer  
Service Department  
Ph 800-717-4251  
Fx 775-345-2883

**PARTS LIST KEY**

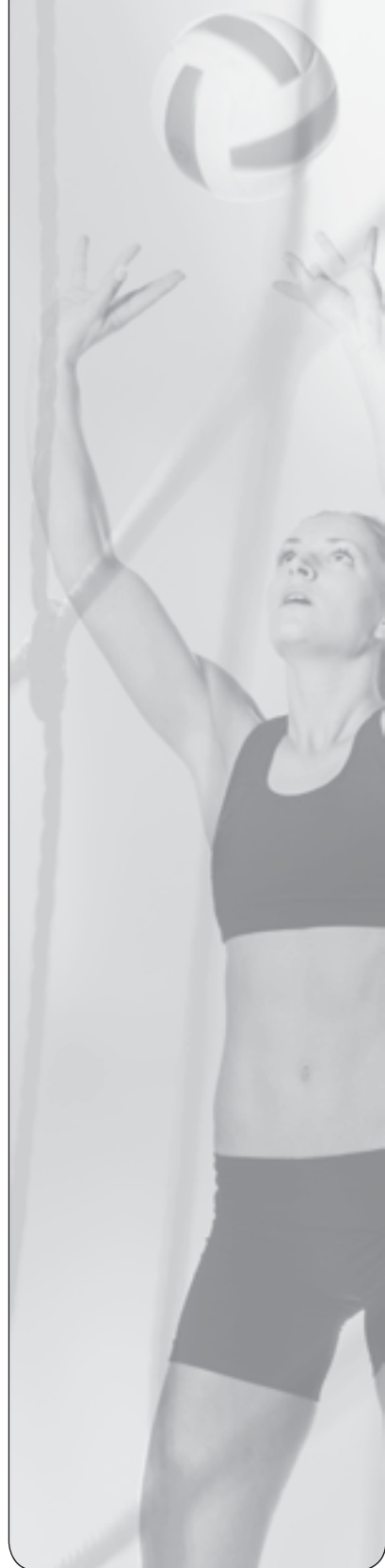
- 1 Wrench , Skill Cater (Not Shown)
- 2 Locking Caster
- 3 Leg, Skill Attack
- 4 Leg Lock Handle
- 5 Tripod
- 6 Swivel Plate
- 7 Horizontal Control Handle
- 8 Control Knob
- 9 Controller Assembly
- 10 Yoke
- 11 Elevation Handle
- 12 Ball Feed Chute
- 13 Throwing Wheel
- 14 Throwing Wheel Spacer
- 15 Motor

# SKILL ATTACK PARTS LIST

EM	PART NO.	DESCRIPTION	QTY PER
1	680-7001	Wrench, Skill Caster	1
2	281-0006	Locking Caster	1
3	532-0017	Leg, Skill Attack	3
4	533-4507	Leg Lock Handle	1
5	533-4505	Tripod	1
6	533-4504	Swivel Plate	1
7	533-4506	Horizontal Control Handle	1
8	280-2003	Control Knob	1
9	530-0025	Controller Assembly	1
10	533-4502	Yoke	1
11	533-4003	Elevation Handle	1
12	533-4503	Ball Feed Chute	1
13	531-0012	Throwing Wheel	2
14	271-0063	Throwing Wheel Spacer	2
15	530-1020	Motor	2

**To order additional parts,  
please call:**

Sports Attack Customer  
Service Department  
Ph 800-717-4251  
Fx 775-345-2883



**Skill Attack Parts List**

# SPORTS ATTACK PRODUCTS

## BASEBALL



HACK ATTACK BASEBALL



JUNIOR HACK ATTACK BASEBALL

## SOFTBALL



HACK ATTACK SOFTBALL



JUNIOR HACK ATTACK SOFTBALL (shown with optional feeder)

Please visit our web site [sportsattack.com](http://sportsattack.com) for information about Sports Attack sports training products, or call 800-717-4251 for complete information and specifications.

# SPORTS ATTACK PRODUCTS

## TENNIS



ACE ATTACK

## FOOTBALL



SNAP ATTACK



## VOLLEYBALL



ATTACK (shown with optional ball bags)



ATTACK II (shown with optional ball bags)

## SOCCER



STRIKE ATTACK

Please visit our web site [sportsattack.com](http://sportsattack.com) for information about Sports Attack sports training products, or call 800-717-4251 for complete information and specifications.