

EXPLORE & MORE **saltarin plegables pull repliable**

jumpscape™ fold-away jumper

OWNER'S MANUAL

Meets or exceeds ASTM F963, EN71 and applicable safety standards.
Cumple o supera los estándares ASTM F963, EN71 y las normas de seguridad aplicables.
Répond ou dépasse la norme ASTM F963, EN71 et les normes de sécurité applicables.
Erfüllt oder übererfüllt alle nötigen Sicherheitsstandards wie ASTM F963 und EN71.
Beantwoord aan of overschrijdt ASTM F963, EN71 en toepasselijke veiligheidsnormen.
Satisfaz ou excede ASTM F963, EN71 e padrões de segurança aplicáveis.
符合或者超出 ASTM F963、EN71 以及适用安全标准。

Product and colors may vary slightly.
El producto y los colores pueden variar ligeramente.
Le produit et les couleurs peuvent varier légèrement.
Am Produkt und bei den Farben sind kleinere Abweichungen möglich.
Product en kleuren kunnen licht verschillen.
O produto e suas cores podem variar levemente.
产品和颜色可能会略有不同。

© 2017 Skip Hop
50 W 23 ST, NY, NY 10010
In the US: 877.4.SKIPHOP
hello@skiphop.com
www.skiphop.com



Made in China. Hecho en China. Fabriqué en Chine.
Hergestellt in China. Vervaardigd in China.
Fabricado na China. 中国制造。

LIMITED WARRANTY:

At Skip Hop, we take great pride in the quality of the craftsmanship of each and every item we produce. We are committed to providing our customers best-in-class, high quality, genuine Skip Hop products through authorized Skip Hop retailers. We stand behind that by the following warranties against defects in materials and workmanship.

This product is covered by a 2-year Warranty. Warranty is non-transferrable and only applies to the original purchaser. All refunds and exchanges are issued at the discretion of Skip Hop. Warranty does not cover:

- Damages caused by normal wear and tear (i.e., hook-and-loop wear, etc.)
- Defects resulting from repair or alteration of the product (except by Skip Hop)
- Defects resulting from improper use, including any use or care not in accordance with the product instructions
- Damages resulting from airlines or airport staff
- Defects resulting from improper storage, such as outdoors or in damp environments
- Products that are re-sold, given away, or in any other case where you are not the first and original owner
- Products without receipt or proof of purchase
- Products purchased outside of North America
- Products that are not purchased through an authorized Skip Hop retailer (online or in-store)

Remedies under this warranty are limited to repair or replacement of the product or components of the product. In no event will Skip Hop or any of its retailers, dealers, distributors or resellers be liable for incidental, indirect or consequential damages relating to the product (including any repaired or replacement product or component) or its use. Some jurisdictions do not allow the exclusion or limitation of incidental or consequential damages, so the above limitation and exclusion may not apply to you.

To get service under this limited warranty: please visit www.skiphop.com, or call 877-4-SKIPHOP (in the US).

EN ⚠️ WARNING

- **KEEP INSTRUCTIONS FOR FUTURE USE.**
- **NEVER LEAVE CHILD UNATTENDED!** Always keep child in view while in product.
- **DO NOT USE THE BABY BOUNCER AS A SWING!**
- **FALL HAZARD!** Stop using this product when child:
 - can stand flat-footed in the product at the highest adjustment level
 - can lift themselves out of seat or starts to climb out.
 - begins to walk unassisted.

- Ages: 4m+. Do not use with children over 26.5 lbs (12 kg) or over 30 inches (76 cm). For use only with infant who can hold up their head unaided and can sit up unassisted.
- Never use near stairs, stoves or ovens, fireplaces, heaters, swimming pools, or other dangerous areas.
- To avoid tip over, place product on a flat, level surface.
- **DO NOT** adjust height while child is sitting in the product.
- Make sure Support Strap Rings are securely fastened before putting child in the seat. Check to ensure they are secure before each use.

- Make sure Jumper legs are securely locked in position on a flat surface before putting your child in the seat. Ensure that the child is correctly and safely positioned in the seat of the baby bouncer.
- **Strings can cause strangulation! DO NOT** place items with a string around child's neck, such as hood strings or pacifier cords. **DO NOT** suspend strings over product or attach strings to toys.
- Be aware of the danger of allowing other children to play near the product.
- Do not let other children swing or climb the **fold-away jumper**.
- Recommended time limit per use session is 20 minutes.
- Do not use this product if it is damaged or broken. Throw away at first sign of damage or weakness.
- Only replacement parts supplied by the manufacturer should be used on the product.
- Remove and discard all packaging materials properly before use.

BATTERY INFORMATION:
 • At the end of product life, remove batteries from product by following the above battery replacement instructions. Always dispose of used batteries properly. See section on safety and disposal information. • Batteries are to be inserted with the correct polarity. • Do not burn batteries. • Non-rechargeable batteries are not to be recharged. • Rechargeable batteries are only to be charged under adult supervision. • Rechargeable batteries are to be removed from the toy before being charged. • Exhausted batteries are to be removed from the toy. • The supply terminals are not to be short-circuited. • Different types of batteries or new and used batteries are not to be mixed. • Do not mix alkaline, standard (carbon-zinc), or rechargeable batteries.

CONSUMER INFORMATION: SAFETY AND DISPOSAL
 At end of product life remove batteries from product by following the battery replacement instructions. Substances used in batteries pose potential environmental and health effects. Do not mix waste batteries with other waste. Keep waste batteries separate. Do not dispose of by landfill or by incineration. Return waste batteries to your point of purchase or recycle center. Recycle all waste batteries per local regulation. Do not dispose of Waste Electrical Electronic Equipment (WEEE), including batteries, in unsorted municipal waste; collect separately. Dispose of at WEEE collection sites per local regulation. WEEE contains chemicals that are hazardous to the environment and human health. The end-user's participation is critical to the success of WEEE collection.
CAN ICES-3 (B)/NMB-3(B)

CAUTION: Changes or modifications not expressly approved by the party responsible for compliance could void the user's authority to operate the equipment. This device complies with part 15 of the FCC Rules. Operation is subject to the following two conditions: (1) This device may not cause harmful interference, and (2) this device must accept any interference received, including interference that may cause undesired operation. Changes or modifications not expressly approved by the party responsible for compliance could void the user's authority to operate the equipment.

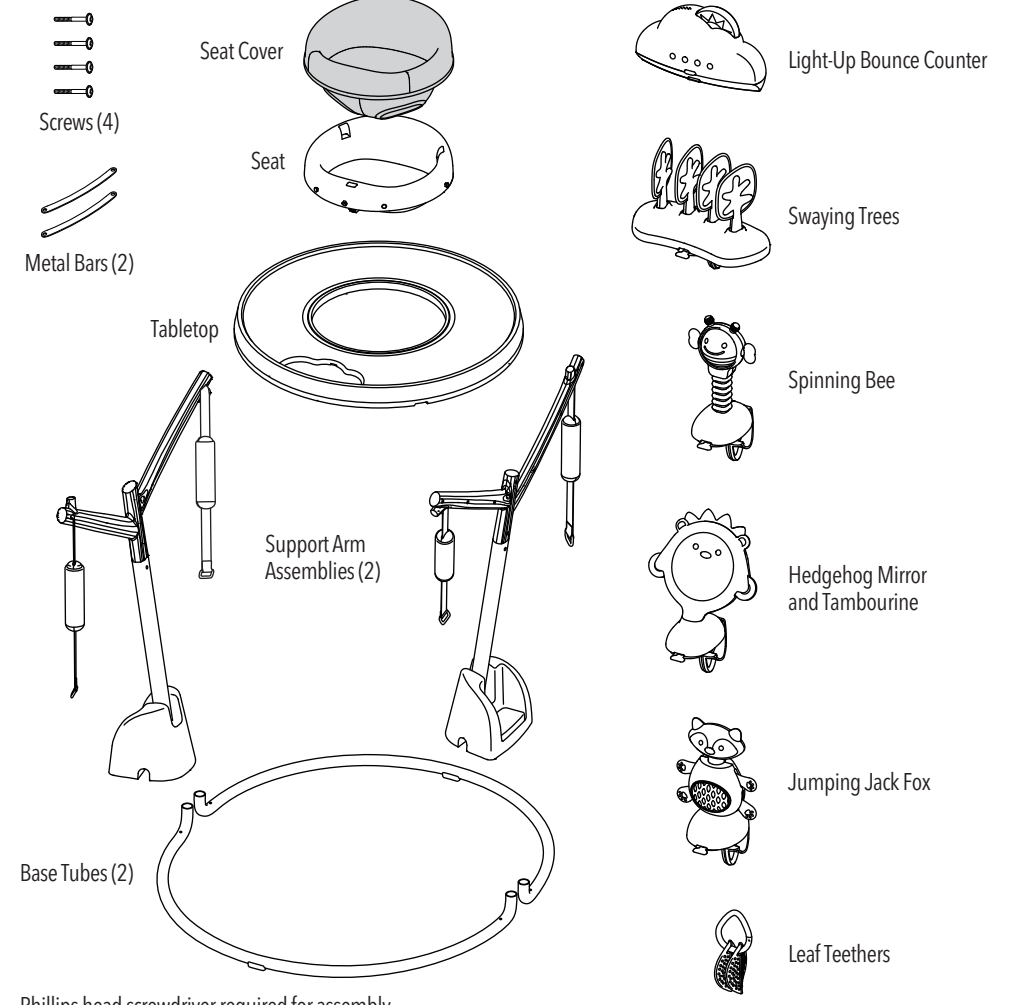
NOTE: This equipment has been tested and found to comply with the limits for a Class B digital device, pursuant to part 15 of the FCC Rules. These limits are designed to provide reasonable protection against harmful interference in a residential installation. This may cause harmful interference to radio communications. However, there is no guarantee that interference will not occur in a particular installation. If this equipment does cause harmful interference to radio or television reception, which can be determined by turning the equipment off and on, the user is encouraged to try and correct the interference by one or more of the following measures:

- Reorient or relocate the receiving antenna.
- Increase the separation between the equipment and the receiver.
- Connect the equipment to an outlet on a circuit different from that to which the receiver is connected.
- Consult the dealer or an experienced radio/TC technician for help.

EN Read all instructions and warnings before assembly and use of the stationary Jumpscap™ Fold-Away Jumper.

IMPORTANT! KEEP FOR FUTURE REFERENCE.

CONTENTS:



CLEANING AND CARE:

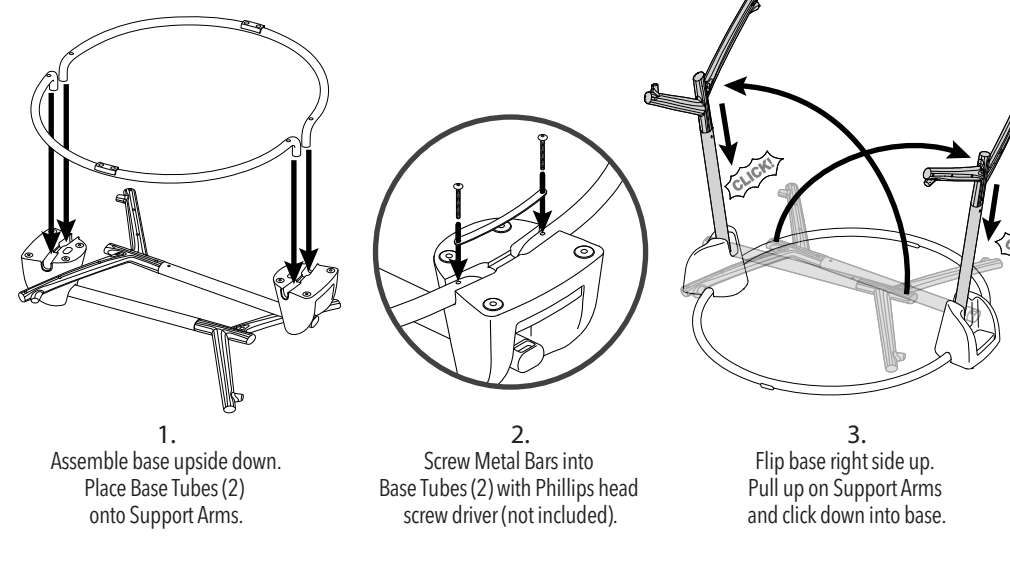
Plastic Parts: Wipe surfaces with mild soap and water. Air dry.
Seat Cover: Machine wash cold, gentle cycle. No bleach. Air dry. Do not iron.

IMPORTANT: Care should be taken in unpacking and assembly. Examine product frequently for damaged, missing, or loose parts.

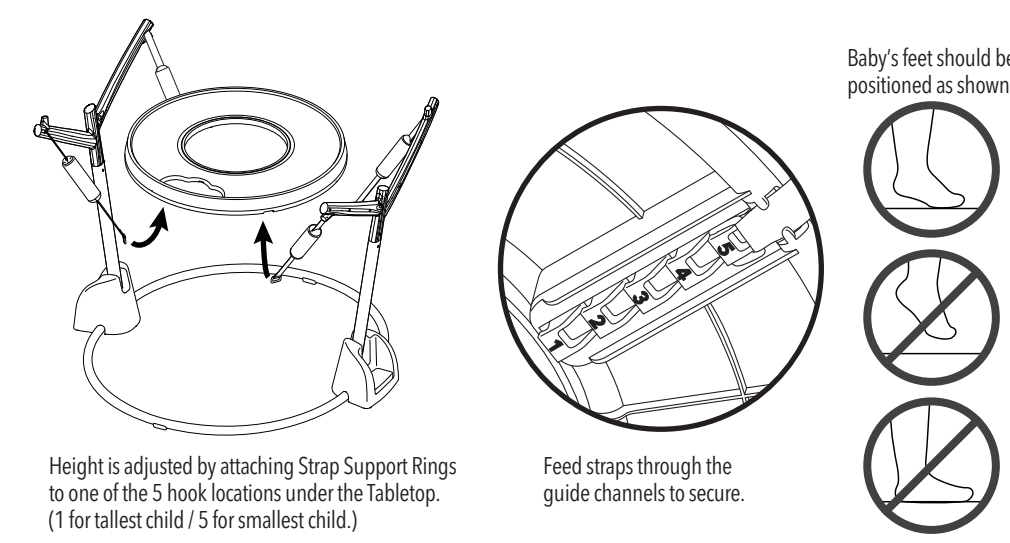
ADULT ASSEMBLY REQUIRED.

BASE TUBE/SUPPORT ARM ASSEMBLY:

Use only screws and metal bars provided and assemble using a Phillips head screw driver. DO NOT USE POWER TOOLS!

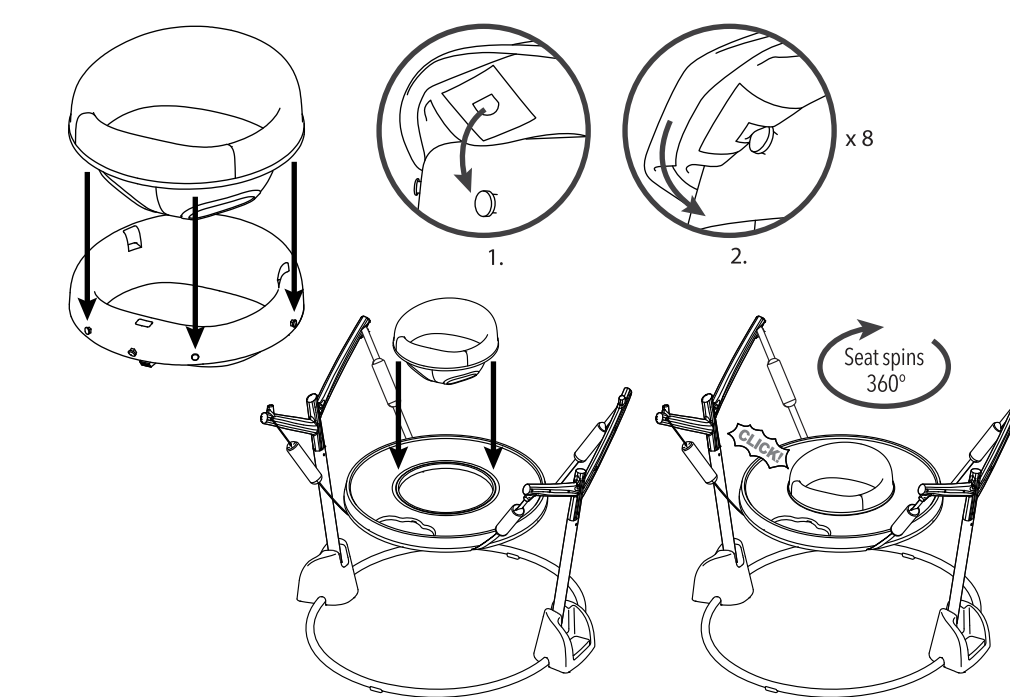


TABLETOP ASSEMBLY AND HEIGHT ADJUSTMENT:

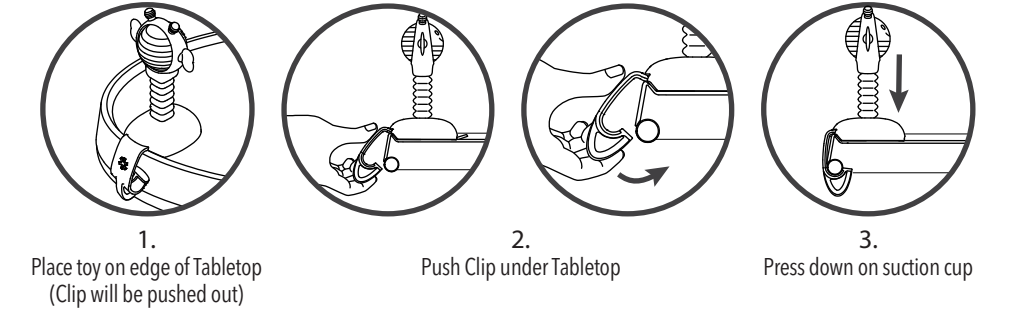


IMPORTANT! Make sure to attach to the same number on all rings so they are the same height. **ALWAYS** remove baby from Jumper before adjusting height. Make sure Support Strap Rings are securely fastened before putting child in the seat. Check to ensure they are secure before each use.

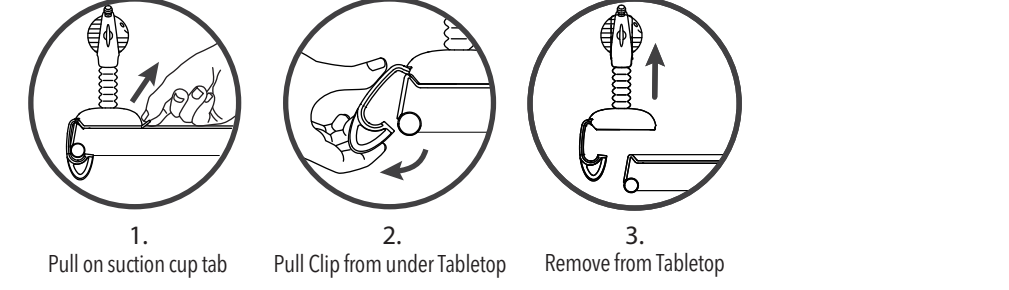
SEAT INSTALLATION:



INSTALLING TOYS:

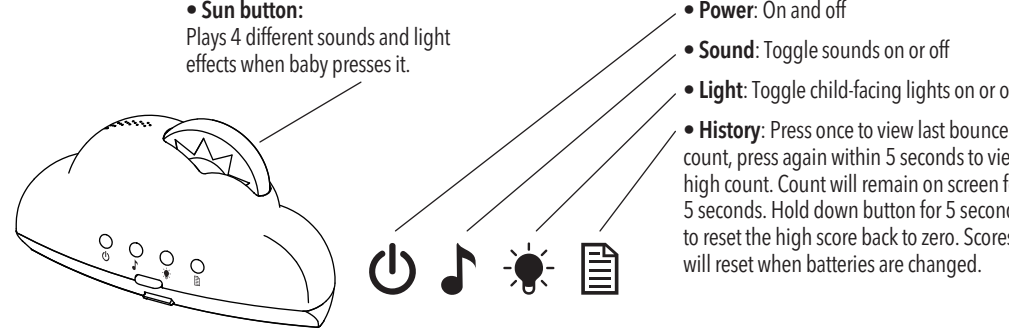


MOVING AND REMOVING TOYS:



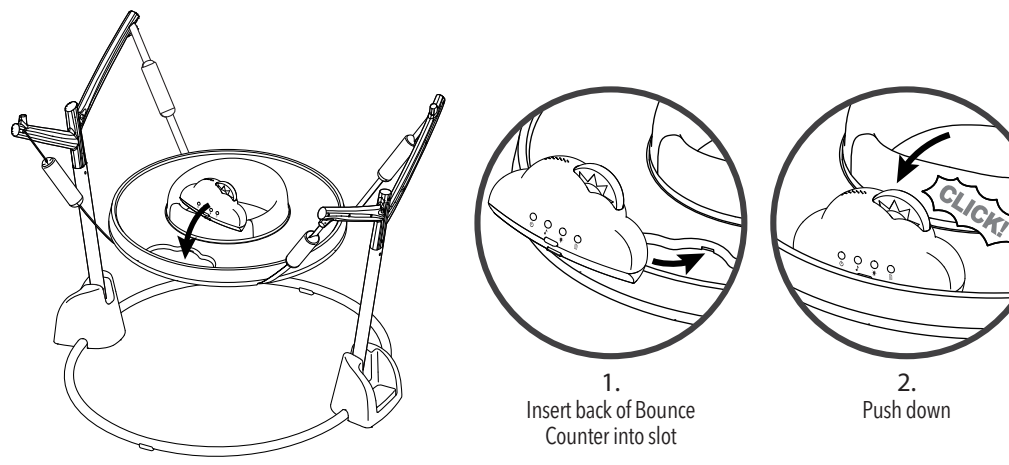
LIGHT-UP BOUNCE COUNTER OPERATION (requires 3 AAA batteries):

- Install/replace batteries (by adult only):
- Open battery cover with screwdriver
 - Insert or replace with 3 AAA 1.5V batteries.
 - Be sure to insert with the correct polarity.
 - Replace cover and secure screws with screwdriver



- Features:**
- Every 100 bounces will be rewarded with sound and light effects.
 - When powered off (or timed out) the Bounce Counter will save sound and light settings for the next session. It will also save the count from the last session and the high count.
 - Usage reminders will signal after 10 and 20 minutes (recommended use per session is 20 minutes).
 - After 30 seconds of inactivity, light and sounds will play to entice baby to move. If no movement after 1 minute, the same sequence will play and the display will go to sleep. Any movement during this time will wake up the unit and the Bounce Counter will keep counting.
 - After 30 minutes of inactivity, the unit will auto off. Current bounce count will be saved to history as well as the highest count to date. Press power button to restart.
 - Count will max out at: 9999. Push on / off to reset to zero.

INSTALLING LIGHT-UP BOUNCE COUNTER ON TOP SURFACE:



DISASSEMBLE FOR STORAGE:

