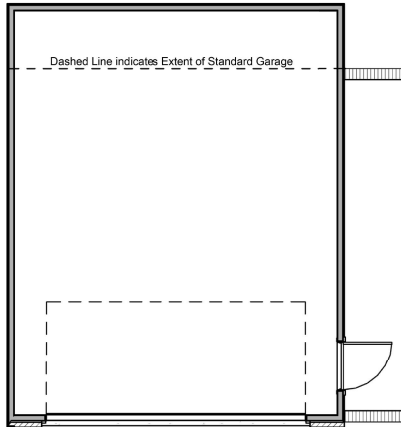
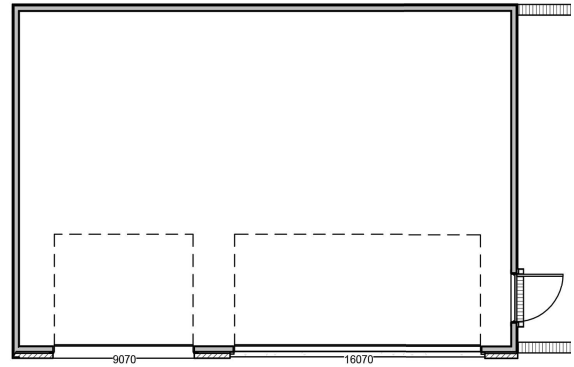


the JEFFERSON

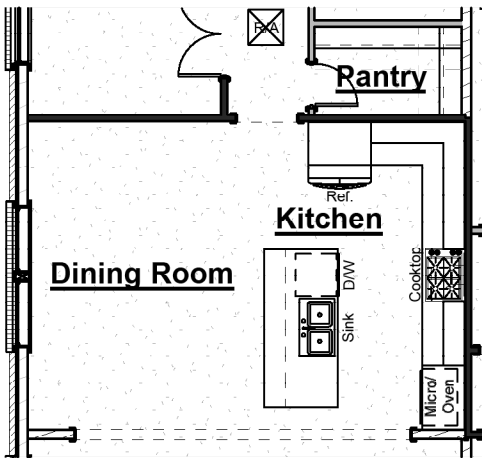
Plan Options



**4ft Garage Extension
(Adds 80sf)*

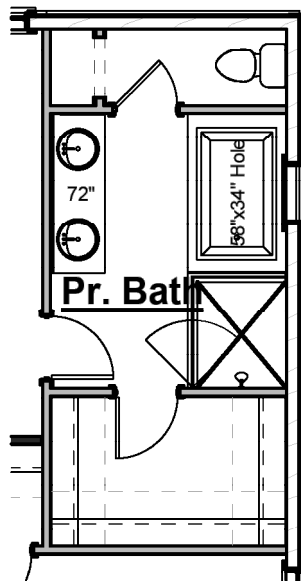


**3rd Car Garage Option
(Adds approx. 260sf)*



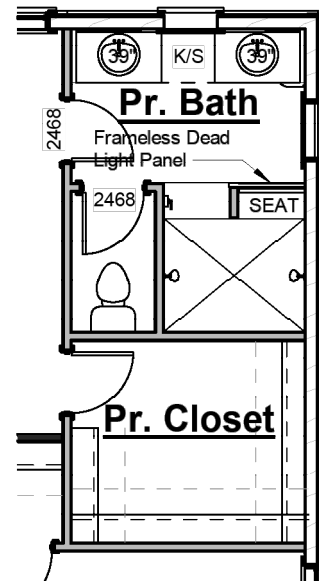
Chef's Kitchen with Single Oven

-Includes Frigidaire Gallery cooktop, wood hood, 1 wall ovens, microwave in island and dishwasher



Primary Bathroom Tub

-Adds drop in tub with tile surround

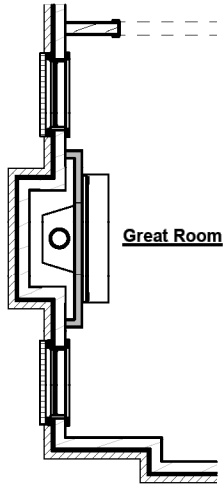


Primary Bath with Grotto Shower

Includes:
 -Large shower with built-in bench seat
 -Two shower heads
 -24" knee space & 2030 window
 -Two recessed can light/fans

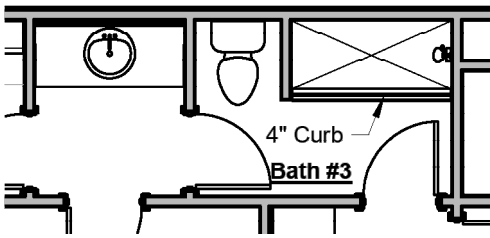


HARRIS DOYLE
HOMES



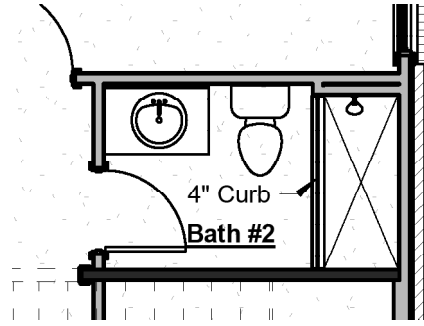
Great Room Fireplace Bump-Out

- Adds fireplace to Great Room
- Includes trim-built mantel, firebox, 18" gas logs, tile surround, & electrical outlet above fireplace



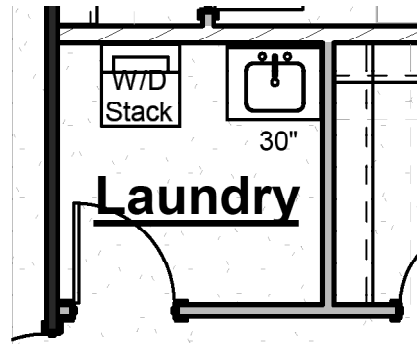
Bath 3 Tile Shower

- Replaces tub/shower unit with tile shower
- Includes tile walls & floor, shower head/valve & 4" curb
- Shower enclosure not included & may be purchased at design



Bath 2 Tile Shower

- Replaces tub/shower unit with tile shower
- Includes tile walls & floor, shower head/valve & 4" curb
- Shower enclosure not included & may be purchased at design



Laundry Room Sink

- Includes stainless sink with 30" base cabinet, cabinet hardware and countertop
- Cabinet base and countertop can be replaced with a freestanding utility sink
- Does not include stacking kit for washer & dryer

Other Options

- 4 Sides Brick
- Guest Bath Syn-Iron Tub Shower with Tile Surround
- Pedestal Tubs

*Certain structural options may not be available due to lot restrictions and/or selection of other options. Prices subject to change without notice.



HARRIS DOYLE
HOMES



LIFE WELL CRAFTED



HARRISDOYLE.COM



facebook.com/harrisdoylehomes



@harrisdoylehomes
#harrisdoyle