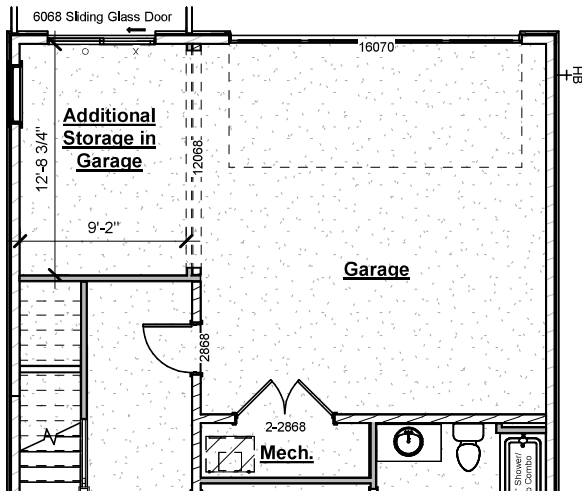


# the CARTER

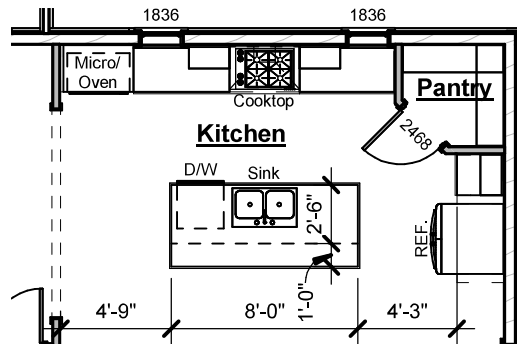
...

## Plan Options



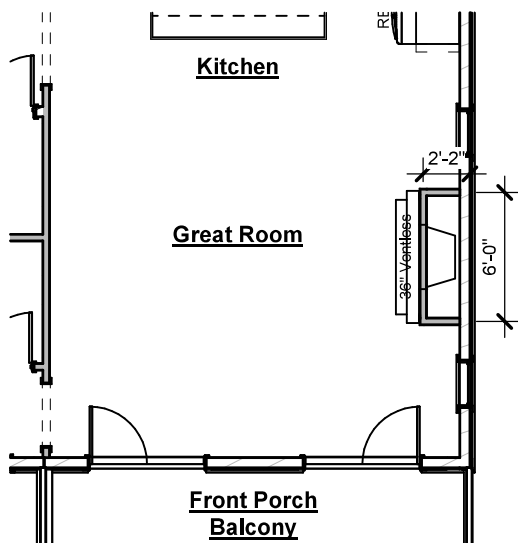
*2-Car Garage with Storage Addition*

-Adds approx. 127 sf to garage by omitting space from Flex Room



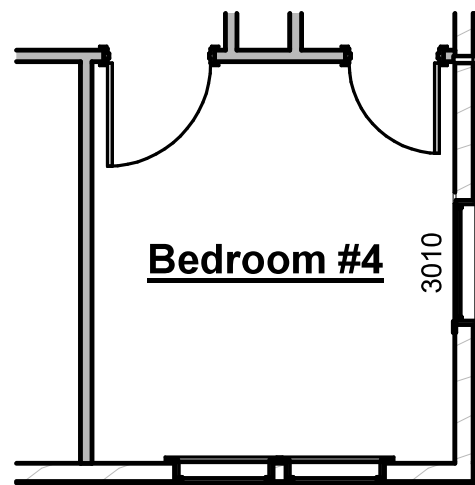
*Chef's Kitchen with Single Oven*

-Includes Frigidaire Gallery cooktop, wood hood, 1 wall oven, microwave & dishwasher



*Great Room Fireplace Bump In Option*

-Includes:  
-36" Ventless Fireplace with Gas Logs

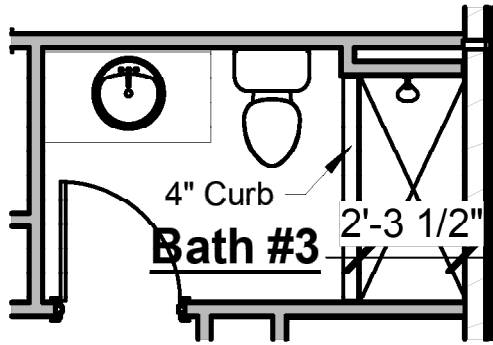


*Bedroom 4 Transom Window*

-Adds a 3'-0" x 1'-0" transom window

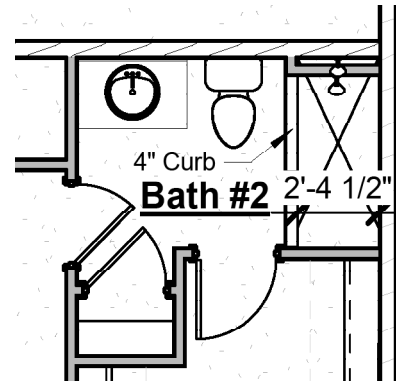


**HARRIS DOYLE**  
HOMES



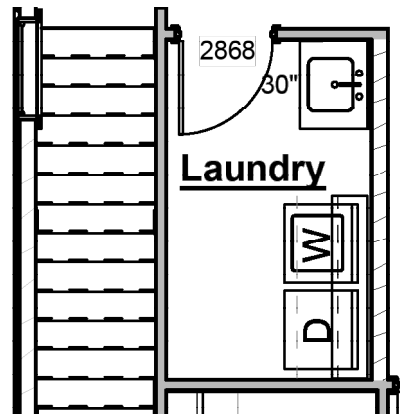
*Bath 3 Tile Shower*

- Replaces tub/shower unit with tile shower
- Includes tile walls & floor, shower head/valve & 4" curb
- Shower enclosure not included & may be purchased at design



*Bath 2 Tile Shower*

- Replaces tub/shower unit with tile shower
- Includes tile walls & floor, shower head/valve & 4" curb
- Shower enclosure not included & may be purchased at design



*Laundry Room Sink Option*

- Includes stainless sink with 30" base cabinet, cabinet hardware and countertop
- Cabinet base and countertop can be replaced with a freestanding utility sink

*Other Options*

- Primary Bath & Guest Bath Syn-Iron Tub Shower with Tile Surround

*Keystone*

\*Certain structural options may not be available due to lot restrictions and/or selection of other options. Prices subject to change without notice.



**HARRIS DOYLE**  
HOMES



**LIFE WELL CRAFTED**



HARRISDOYLE.COM



facebook.com/harrisdoylehomes



@harrisdoylehomes  
#harrisdoyle